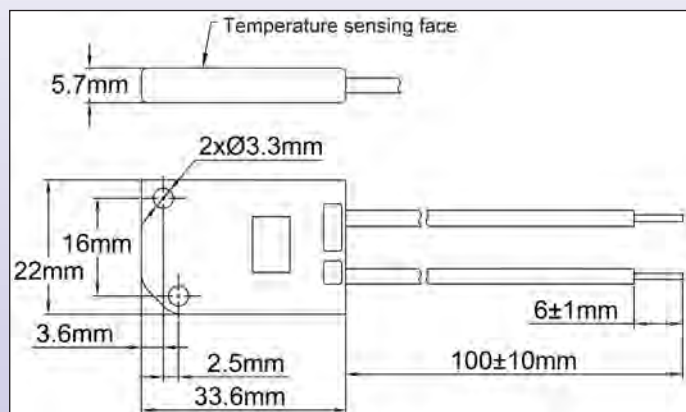


Waterproof flat disc thermostat, 4A 250V Type 4N630

DIMENSIONS



TECHNICAL FEATURES

Application: Waterproof thermostat, can be incorporated inside thin heating devices, heating blankets, heating pads, antifreeze cables, electrical floor heating

Electrical rating: 8A, 125VAC res

4A, 250VAC res

Temperature calibration range: 0 to 120°C (32 to 248°F)

Contact: open or close on temperature rise

Differential: 8-15°C (46.4-59°F)

Tolerance: ±5°C on open and close

Contact resistance: < 70 mΩ (wires and optional TCO not included)

Insulation resistance: ≥ 100MΩ @500VDC

Thermal resistance: -20°C +130°C (except optional thermal fuse and wires)

Electrical life: ≥10.000 cycles under rated load

Wires: PVC insulated, 0.5 mm² (0.75 mm² on request), length 100, 200, 500, 1000 mm

Option: built-in thermal fuse, 2A, 5A or 8A.

Thermal fuse calibration must be at least 30°C higher than thermostat opening temperature (MOQ apply)

Main references

References	Open °C (°F)	Close °C (°F)	Wire lengths (mm)
4N630101308JGCD0	13°C ±5°C (55.4 ±41°F)	6°C ±5°C (42.8 ±41°F)	200
4N630103008JGCD0	30°C ±5°C (86 ±41°F)	22°C ±5°C (71.6 ±41°F)	200
4N630104008JGC10	40°C ±5°C (104 ±41°F)	32°C ±5°C (89.6 ±41°F)	1000
4N630105008JGC10	50°C ±5°C (122 ±41°F)	42°C ±5°C (107.6 ±41°F)	1000