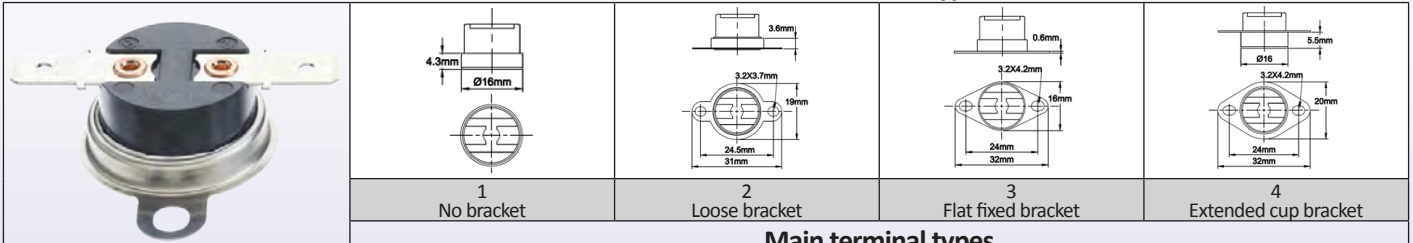


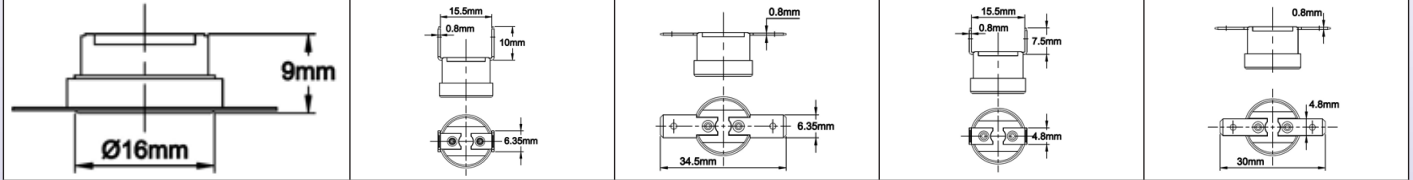
Snap action 9 mm reduced thickness 1/2" disc thermostat, 10A 250V, type 4911

DIMENSIONS

Main bracket types

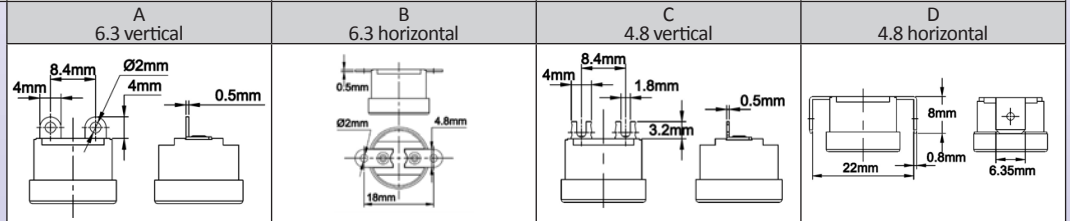


Main terminal types

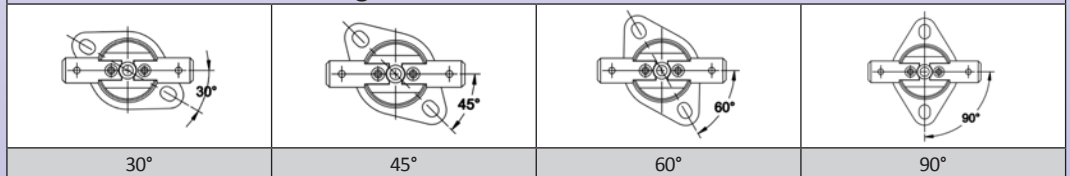


TECHNICAL FEATURES

Case: Phenolic resin (ceramic on request)
Sensing element: Bimetal disc
Calibration: Factory fixed setting, from de -15 to +150°C, 5 to 302°F (200°C, 392°F with ceramic body). Not adjustable. Standard calibration tolerances $\pm 4^\circ\text{C}$ to $\pm 6^\circ\text{C}$, $\pm 39.2^\circ\text{F}$ to 42.8°F upon models
Terminals: 6.3 or 4.8 quick connect, or welding terminals
Differential: Factory set, from 10°C to 25°C, 50°F to 77°F
Mounting: with or without bracket
Main bracket models:
 • Loose bracket, two oval holes 3.2 x 3.5, for M3 screws, 24.5 mm distance
 • Flat fixed bracket, two oval holes 3.2 x 3.5, for M3 screws, 24.5 mm distance
 • Flat cup bracket, two oval holes 3.2 x 4.2, for M3 screws, 24 mm distance
 • M4 or M5 center stud on request
Cap materials: stainless steel (SS) or aluminum (AL)
Ratings: 15A 125VAC, 10A 240VAC



Angle between terminals and bracket



MAIN REFERENCES (usually available from stock*)

References	Open ** °C/°F	Tolerance \pm °C/ \pm °F	Close °C/°F	Tolerance \pm °C/ \pm °F	Bracket Nr	Bracket material	Terminal Nr	Angle terminal-bracket
4911NP03308CL6HF39	33/91.4	3/37.4	25/77	4/39.2	4	AL	B	90
4911SU04511CL6HF39	34/93.2	3/37.4	45/113	4/39.2	4	AL	B	90
4911SU04511CL6HM37	34/93.2	3/37.4	45/113	4/39.2	2	AL	B	N/A
4911NP03806CL6V037	38/100.4	3/37.4	32/89.6	4/39.2	1	AL	A	N/A
4911NP03806CCSV037	38/100.4	3/37.4	32/89.6	4/39.2	1	AL	E	N/A
4911NP03806CCSVM37	38/100.4	3/37.4	32/89.6	4/39.2	2	AL	E	N/A
4911NP04010DCSV037	40/104	3/37.4	30/86	4/39.2	1	AL	E	N/A
4911NP04010DCSVM37	40/104	3/37.4	30/86	4/39.2	2	AL	E	N/A
4911NP05010CL6HF39	50/122	3/37.4	40/104	4/39.2	4	AL	B	90
4911NP05010CL6H037	50/122	3/37.4	40/104	4/39.2	1	AL	B	N/A
4911NP05510DL6HF37	55/131	4/39.2	45/113	5/41	4	AL	B	90
4911NP06010CL6H037	60/140	3/37.4	50/122	4/39.2	1	AL	B	N/A
4911NP07010DL6H037	70/158	4/39.2	60/140	5/41	1	AL	B	N/A
4911NP07010DL6HF39	70/158	4/39.2	60/140	5/41	4	AL	B	90
4911NP07010DCSV037	70/158	4/39.2	60/140	5/41	1	AL	E	N/A
4911NP07010DCSVM37	70/158	4/39.2	60/140	5/41	2	AL	E	N/A
4911NP07510DCSV037	75/167	4/39.2	65/149	5/41	1	AL	E	N/A
4911NP07510DCSVM37	75/167	4/39.2	65/149	5/41	2	AL	E	N/A
4911NP08010DL6H037	80/176	3/37.4	70/158	4/39.2	1	AL	B	N/A
4911NP09015DCSVF39	90/194	4/39.2	75/167	5/41	4	AL	E	90
4911NP12514DL6VM37	125/257	5/41	111/231.8	6/42.8	2	AL	A	N/A
4911NP15023EL6VM37	150/302	6/42.8	141/285.8	7/44.6	2	AL	A	N/A
4910NP15514EL6VM37***	155/311	6/42.8	141/285.8	7/44.6	2	AL	A	N/A

* Products usually available from stock in one of the Ultimheat Alliance members
 ** Temperature in red= close on rise model
 *** Ceramic body

These thermostats can be fitted inside various housings, overmolded and wired*. Some examples:



* These assemblies are made in the UL certified wiring harnesses production line of JPC

Unless exceptionally specified by this logo, products and components in this catalogue are made by Ultimheat alliance members.

Unless exceptionally specified by this logo, products and components in this catalogue are made by Ultimheat alliance members.

Because of permanent improvement of our products, drawings, descriptions, features used on these data sheets are for guidance only and can be modified without prior advice



Snap action bimetal disc thermostat, 1/2" disc. 12 mm thickness, 16A 250V Type 4903

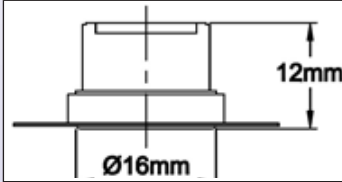
DIMENSIONS

Main bracket types



1 No bracket	2 Loose bracket	3 Flat fixed bracket	4 Extended cup bracket

Main terminal types



A 6.3 vertical	B 6.3 horizontal	C 4.8 vertical	D 4.8 horizontal

TECHNICAL FEATURES

Case: Phenolic resin (ceramic on request)
Sensing element: Bimetal disc
Calibration: Factory fixed setting, from 15°C to 150°C, 5 to 302°F F (200°C, 392°F with ceramic body). Not adjustable. Standard calibration tolerances ±4°C to ±6°C, ±39.2°F to 42.8°F upon models
Terminals: 6.3 or 4.8 quick connect, or welding terminals
Differential: Factory set, from 10°C to 25°C, 50°F to 77°F
Mounting: with or without bracket
Main Bracket models:
 • Loose bracket, two oval holes 3.2 x 3.5, for M3 screws, 24.5 mm distance
 • Flat fixed bracket, two oval holes 3.2 x 3.5, for M3 screws, 24.5 mm distance
 • Flat cup bracket, two oval holes 3.2 x 4.2, for M3 screws, 24 mm distance
 • M4 or M5 center stud on request
Cap materials: stainless steel (SS) or aluminum (AL)
Ratings:
UL: AC120V/15A, AC240V/10A
CSA: AC 125V/15A, AC250V/8A
VDE: AC 250V/16A

E Vertical solder, radius output	F Horizontal solder	G Open vertical solder	H 6.3 vertical downside

Angle between terminals and bracket

30°	45°	60°	90°



MAIN REFERENCES (usually available from stock*)

References	Open ** °C/°F	Tolerance ±°C/ ±°F	Close °C/°F	Tolerance ±°C/ ±°F	Bracket Nr	Bracket material	Terminal Nr	Angle terminal- bracket
4903EJ00905CCSV037	10/50	3/37.4	5/41	4/39.2	1	AL	E	N/A
4903EJ00905CCSVM37	10/50	3/37.4	5/41	4/39.2	2	AL	E	N/A
4903EJ01808CL6VM37	18/64.4	3/37.4	10/50	4/39.2	2	AL	A	N/A
4903EJ04010CCSVF44	40/104	3/37.4	30/86	3/37.4	4	SS	G	45°
4903EJ04512CL6V037	45/113	3/37.4	33/91.4	4/39.2	1	AL	A	N/A
4903EJ04512CL6VM37	45/113	3/37.4	33/91.4	4/39.2	2	AL	A	N/A
4903EJ05010DL6VM39	50/122	4/39.2	40/104	5/41	2	AL	A	90°
4903EJ05010DCSVF47	50/122	4/39.2	40/104	3/37.4	1	SS	G	N/A
4903EJ05510DCSVF44	55/131	4/39.2	45/113	3/37.4	4	SS	G	45°
4903EJ06010CL6HM37	60/140	4/39.2	50/122	5/41	2	AL	B	N/A
4903EJ06010CL6VM37	60/140	4/39.2	50/122	5/41	2	AL	A	N/A
4903EJ06010DCSV037	60/140	4/39.2	50/122	5/41	1	AL	E	N/A
4903EJ06010DCSVM37	60/140	4/39.2	50/122	5/41	2	AL	E	N/A
4903EK07010CL6VM37	60/140	4/39.2	70/158	5/41	2	AL	A	N/A
4903EJ06010DCSVF34	60/140	4/39.2	50/122	3/37.4	4	AL	G	45°
4903EJ06015DCSVF34	60/140	4/39.2	45/113	4/39.2	4	AL	G	45°
4903EJ06510CL6V037	65/149	4/39.2	55/131	5/41	1	AL	A	N/A
4903EJ06510DL6VF39	65/149	4/39.2	55/131	5/41	4	AL	A	90°
4903EJ06510DCSVF47	65/149	4/39.2	55/131	3/37.4	1	SS	G	N/A
4903EJ07020DL6VM37	70/158	4/39.2	50/122	5/41	2	AL	A	N/A
4903EJ07010CL6VF37	70/158	4/39.2	60/140	5/41	4	AL	A	90°
4903EJ07010DCSVF34	70/158	4/39.2	60/140	3/37.4	4	AL	G	45°
4903EJ07510DCSVF44	75/167	4/39.2	65/149	3/37.4	4	SS	G	45°
4903EJ07510DCSVF34	75/167	4/39.2	65/149	3/37.4	4	AL	G	45°
4903EJ08016DL6HM37	80/176	4/39.2	64/147.2	5/41	2	AL	B	N/A
4903EJ08818DL6VM37	88/190.4	4/39.2	70/158	5/41	2	AL	A	N/A
4903EJ09510CCSVF44	95/203	3/37.4	85/185	3/37.4	4	SS	G	45°

* Products usually available from stock in one of the Ultimheat Alliance members

** Temperature in red= close on rise model

These thermostats can be fitted inside various housings, overmolded and wired*. Some examples:

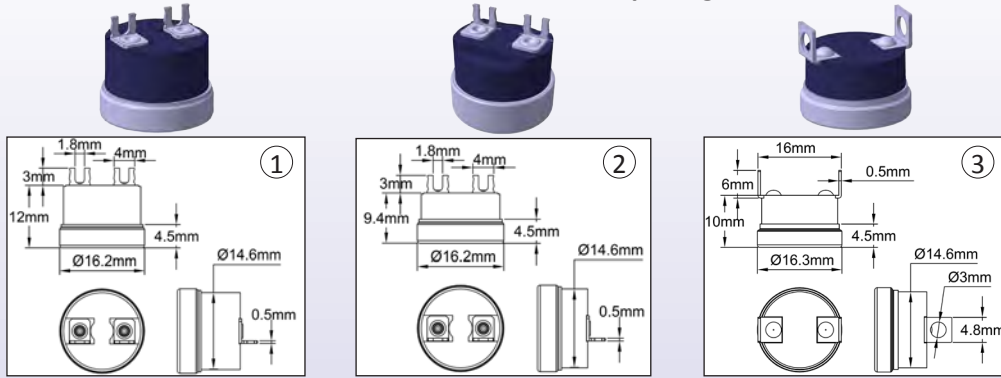
Dia 18 mm tubular pocket	Waterproof tube mounting	Waterproof, with electrical contact protection	Waterproof, epoxy resin potted, 2 thermostats with the same bracket	Waterproof, 1/2" fitting	Waterproof, M20 fitting	Waterproof, Cnomo connector	Waterproof, automotive connector	Pipe mounting with connection box	Cable output, with flexible boot

* These assemblies are made in the UL certified wiring harnesses production line of JPC



Selection of defrost or antifreeze protection disc thermostats

Thermostats for RTV silicone potting

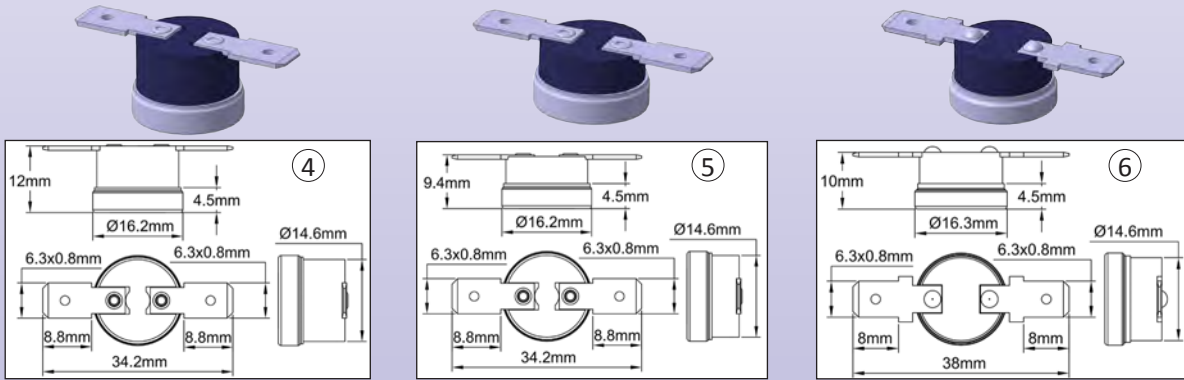


This disc thermostat is adapted to cable end mounting, with small size solder terminals and aluminum cup. It withstands silicone or epoxy filling. Thermostat opens on temperature rise

References	Open °C(°F)	Close °C(°F)	Rating (250VAC)	Type
4903EJ01006CUSV0	10±3 (50±37.4°F)	4±3 (39.2±37.4°F)	16A	1
4911NP01006CUSV0	10±3 (50±37.4°F)	4±3 (39.2±37.4°F)	10A	2
4993AJ00805HCSV0	(46.4±36.5)	3±2.5 (7.4±36.5)	8A *	3

Other set points, terminals or brackets: contact us

Thermostat for end of cable connection, protection by shrinkable sleeve

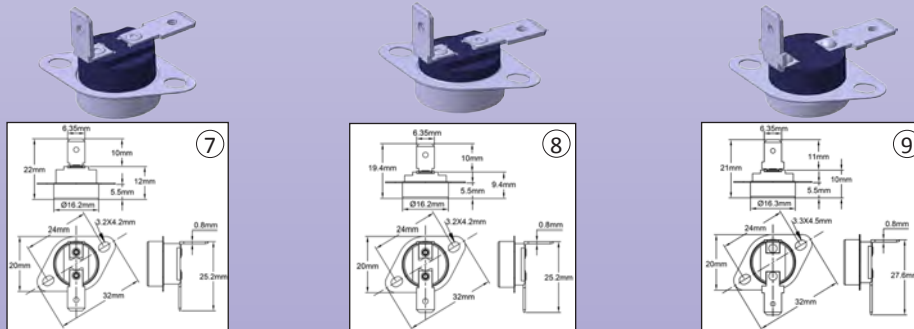


Anti-freeze thermostat, for mounting on heating cable end under double wall shrinkable sleeve, with 6.3 x 0.8 horizontal tab terminals, for faston connectors or soldering. Aluminum temperature sensing cup. Contact opens on temperature rise.

References	Open °C(°F)	Close °C(°F)	Rating (250VAC)	Type
4903EJ01006CL6H0	10±3 (50±37.4°F)	4±3 (39.2±37.4°F)	16A	4
4911NP01006CL6H0	10±3 (50±37.4°F)	4±3 (39.2±37.4°F)	10A	5
4993AZ00805HL6H0	(8±3 (46.4±36.5))	3±2.5 (7.4±36.5)	8A *	6

Other set points, terminals or brackets: contact us

Antifreeze thermostat, through wall mounting



Anti-freeze thermostat, for through wall mounting on junction or connection boxes, 6.3 x 0.8 tab terminals. Aluminum temperature sensing extended cup. Contact opens on temperature rise.

The temperature sensing part of the thermostat is located outside the box, and the electrical connection remains inside. Hole drill: dia 16.4 mm

References	Open °C(°F)	Close °C(°F)	Rating (250VAC)	Type
4903EJ01006CL6MF	10±3 (50±37.4°F)	4±3 (39.2±7.4°F)	16A	7
4911NP01006CL6MF	10±3 (50±37.4°F)	4±3 (39.2±7.4°F)	10A	8
4993AZ01006CL6MF	8±3 (46.4±36.5)	3±2.5 (7.4±36.5)	8A *	9

Other set points, terminals or brackets: contact us

* 8A 250V 100000 cycles, 10A 250V, 20.000 cycles

These thermostats can be fitted inside various housings*. Some have been specially designed for freeze protection (for more, see in catalogue N°3 "30 antifreeze protection solutions")

--	--	--	--	--	--	--	--	--	--

* These assemblies are made in the UL certified wiring harnesses production line of JPC

Unless exceptionally specified by this logo

this catalogue are made by Ultimheat alliance members.

, products and component

Because of permanent improvement of our products, drawings, descriptions, features used on these data sheets are for guidance only and can be modified without prior advice

