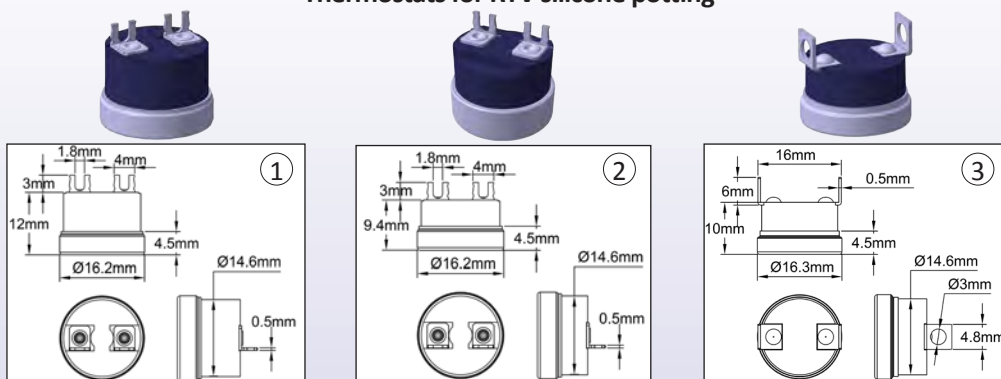


Selection of defrost or antifreeze protection disc thermostats

Thermostats for RTV silicone potting

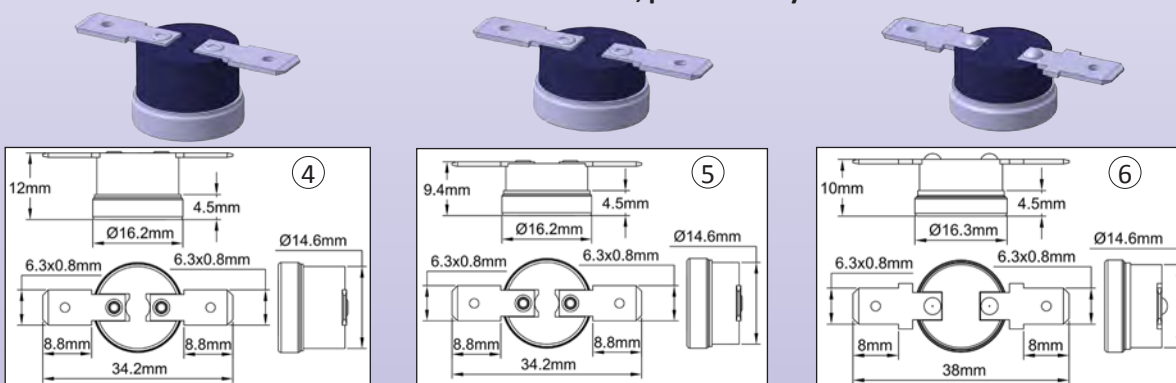


This disc thermostat is adapted to cable end mounting, with small size solder terminals and aluminum cup. It withstands silicone or epoxy filling. Thermostat opens on temperature rise

References	Open °C(°F)	Close °C(°F)	Rating (250VAC)	Type
4903EJ01006CUSV0	10±3 (50±37.4°F)	4±3 (39.2±37.4°F)	16A	1
4911NP01006CUSV0	10±3 (50±37.4°F)	4±3 (39.2±37.4°F)	10A	2
4993AJ00805HCSV0	(46.4±36.5)	3±2.5 (7.4±36.5)	8A *	3

Other set points, terminals or brackets: contact us

Thermostat for end of cable connection, protection by shrinkable sleeve

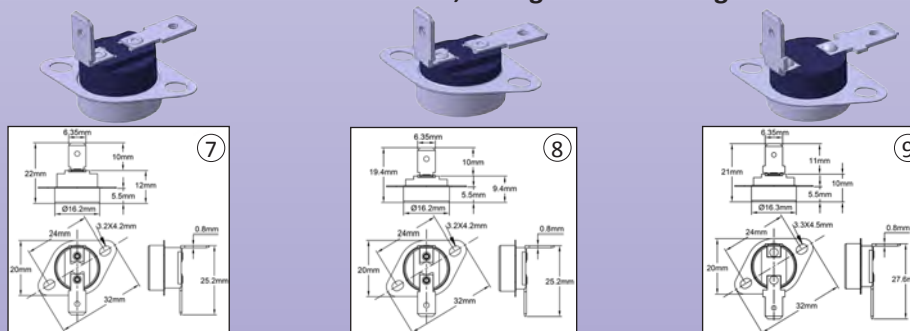


Anti-freeze thermostat, for mounting on heating cable end under double wall shrinkable sleeve, with 6.3 x 0.8 horizontal tab terminals, for faston connectors or soldering. Aluminum temperature sensing cup. Contact opens on temperature rise.

References	Open °C(°F)	Close °C(°F)	Rating (250VAC)	Type
4903EJ01006CL6H0	10±3 (50±37.4°F)	4±3 (39.2±37.4°F)	16A	4
4911NP01006CL6H0	10±3 (50±37.4°F)	4±3 (39.2±37.4°F)	10A	5
4993AZ00805HL6H0	(8±3 (46.4±36.5))	3±2.5 (7.4±36.5)	8A *	6

Other set points, terminals or brackets: contact us

Antifreeze thermostat, through wall mounting



Anti-freeze thermostat, for through wall mounting on junction or connection boxes, 6.3 x 0.8 tab terminals. Aluminum temperature sensing extended cup. Contact opens on temperature rise.

The temperature sensing part of the thermostat is located outside the box, and the electrical connection remains inside. Hole drill: dia 16.4 mm

References	Open °C(°F)	Close °C(°F)	Rating (250VAC)	Type
4903EJ01006CL6MF	10±3 (50±37.4°F)	4±3 (39.2±7.4°F)	16A	7
4911NP01006CL6MF	10±3 (50±37.4°F)	4±3 (39.2±7.4°F)	10A	8
4993AZ01006CL6MF	8±3 (46.4±36.5)	3±2.5 (7.4±36.5)	8A *	9

Other set points, terminals or brackets: contact us

* 8A 250V 100000 cycles, 10A 250V, 20.000 cycles

These thermostats can be fitted inside various housings*. Some have been specially designed for freeze protection (for more, see in catalogue N°3 "30 antifreeze protection solutions")

--	--	--	--	--	--	--	--	--	--

* These assemblies are made in the UL certified wiring harnesses production line of JPC