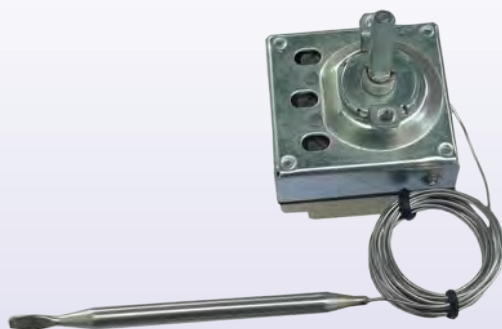


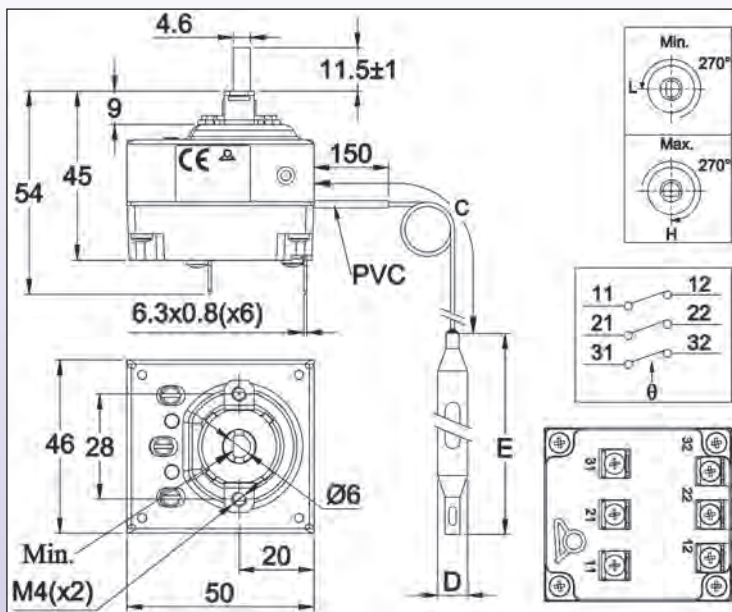
Type 8C 3 pole control thermostats

DIMENSIONS



TECHNICAL FEATURES

- Housing dimensions:** 46 x 50 x 45 mm (without terminals)
- Bulb and capillary:** stainless steel, capillary length 250mm or 1500 mm, 150 mm long PVC sleeve on capillary. Capillary minimum bending radius 5 mm.
- Temperature sensing element:** liquid filled bulb and capillary.
- Terminals:** 6.35 x 0.8 quick connect terminals .M4 screws also available on request.
- Adjustment:** Dia. 6 mm shaft with 4.6 mm flat, (other lengths or fixed setting available on request).
- Mounting:** Front bracket with 2 xM4 threads, 28 mm distance
- Rating:** 3 x 16A(4) 250VAC, 10A 400VAC
- Contacts:** 3 x ST with snap action contact, 3PDT available on request



Main references

Reference	Temperature range (°C/°F)	Capillary length (mm)	Bulb diameter (mm)	Bulb length (mm)	Differential (°C/°F)	Max temperature on bulb (°C/°F)
8CB-35035AO60001	-35+35°C (-30+95°F)	1500	6	95	4±2°C/7±3.6 °F)	50°C/122°F
8CB-35035AA60001	-35+35°C (-30+95°F)	250	6	95	4±2°C/7±3.6 °F)	50°C/122°F
8CB004040AO60001	4-40°C (40-105°F)	1500	6	160	4±2°C/7±3.6 °F)	50°C/122°F
8CB004040AA60001	4-40°C (40-105°F)	250	6	160	4±2°C/7±3.6 °F)	50°C/122°F
8CB030090AO60001	30-90°C (85-195°F)	1500	6	86	6±3°C/42.8±37.4°F	110°C/230°F
8CB030110AO60001	30-110°C (85-230°F)	1500	6	70	6±3°C/42.8±37.4°F	130°C/266°F
8CB050200AO60001	50-200°C (120-390°F)	1500	6	57	13±4°C/55.4±39.2°F	220°C/428°F
8CB050300AO30001	50-300°C (120-570°F)	1500	3	165	15±5°C/59±41°F	320°C/608°F

°C Printing

-35+35°C	4-40°C	30-90°C	30-110°C	50-200°C	50-300°C
66MZ006-350352FW	66MZ0060040402FW	66MZ0060300901FW	66MZ0060301101FW	66MZ0060502001FW	66MZ0060503001FW

°F Printing

30+95°F	40-105°F	85-195°F	85-230°F	120-390°F	120-570°F
66MZ006-350352FX	66MZ0060040402FX	66MZ0060300901FX	66MZ0060301101FX	66MZ0060502001FX	66MZ0060503001FX

Soft grip knob and bezel dimensions

Dimensions				
References	66MZ.....	66EN1	66EN3	66EN2
Material	PC +Santoprene	Black ABS	Chrome plated ABS	Stainless steel

Many other knobs are available, see the full knob list at the end of this catalogue.

Because of permanent improvement of our products, drawings, descriptions, features used on these data sheets are for guidance only and can be modified without prior advice

Unless exceptionally specified by this logo , products and components in this catalogue are made by Ultimheat alliance members.

