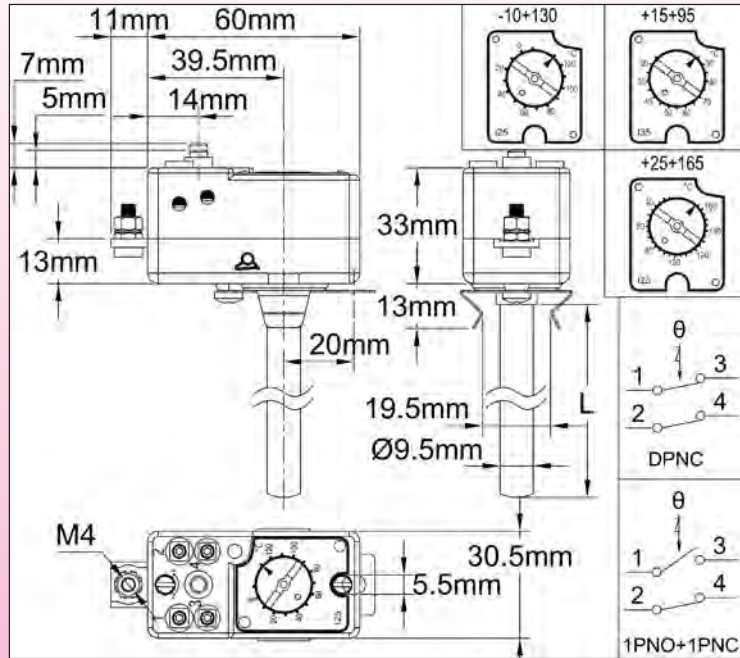


# Manual reset rod thermostat, DPST and SPDT, types 1D and 1X

Unless exceptionally specified by this logo, products and components in this catalogue are made by Ultimheat alliance members.



## DIMENSIONS



## TECHNICAL FEATURES

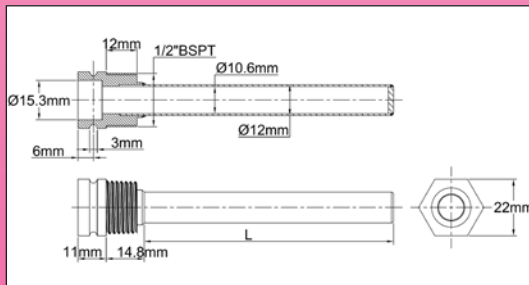
- Applications:** high limit manual reset on liquid and gas, with DPNC or SPDT contact
- Sensing element:** Bimetal rod, 304 stainless steel, dia. 9.5 mm, fast thermal response
- Housing:** no housing in this model, See Y1 range for this product with aluminum housing
- Standard temperature setting ranges:** -10+130°C, 15-95°C, 25-165°C. Other temperature ranges on request.
- Set point adjustment:** screw driver, with temperature printed dial
- Manual reset:** with un-protected front button
- Mounting:** inside pocket, locked by clips
- Contact:** DPNC or 1 x NC + 1 x NO
- Rating:** 15(4)A, 250/400VAC
- Ambient temperature:** -30+100°C(-22 +212°F) on thermostat body, and max dial temperature value+50°C(122°F) on rod

## Main references

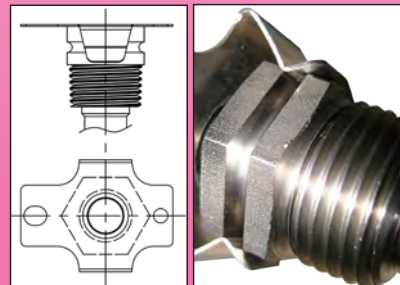
Set point adjustment range (°C/°F)	Rod length (mm)	References with DPNC contact	References with 1 x NC + 1 x NO contact,
-10+130°C/+14+266°F	200	1DA-10130B200	1XA-10130B200
+15+95/+59+203°F	200	1DA015095A200	1XA015095A200
+15+95/+59+203°F	300	1DA015095C300	1XA015095C300
+25+165/+77+329°F	200	1DA025165B200	1XA025165B200

## Accessories (not included in the thermostat, must be ordered separately)

**Pocket, nickel plated copper alloy, length 200mm or 300 mm**



**Pocket clamping**



<b>200 mm Reference</b>	66DK12S190712
<b>300 mm Reference</b>	66DK12S290712

Because of permanent improvement of our products, drawings, descriptions, features used on these data sheets are for guidance only and can be modified without prior advice

