



105x105x96 mm Simplified

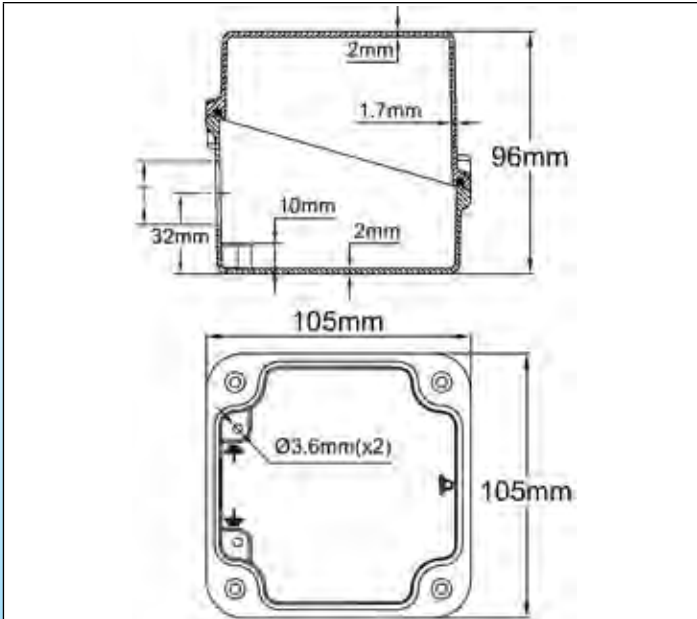
Immersion heaters connection boxes

Dimensions: 105x105x96 mm Simplified (1st section)

Material: Die cast aluminum

Type: Simplified, nickel plated steel fasteners, without galvanic corrosion protection

Basic references



Basic reference, not sand blasted, fitting holes and cable gland hole without threads, cable gland not included

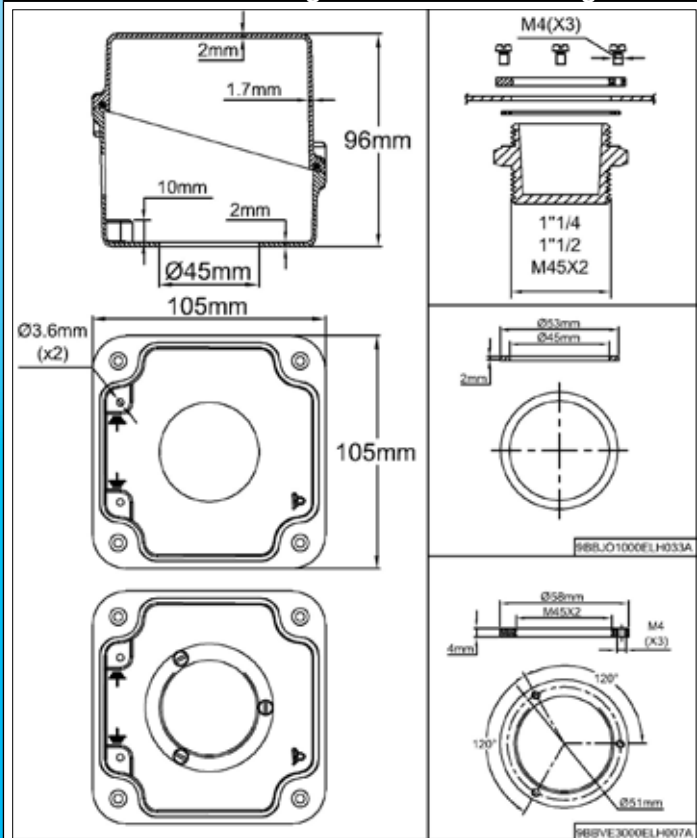
With dia 25 mm cable gland hole (T)

Y305SH6B00TT0XA0

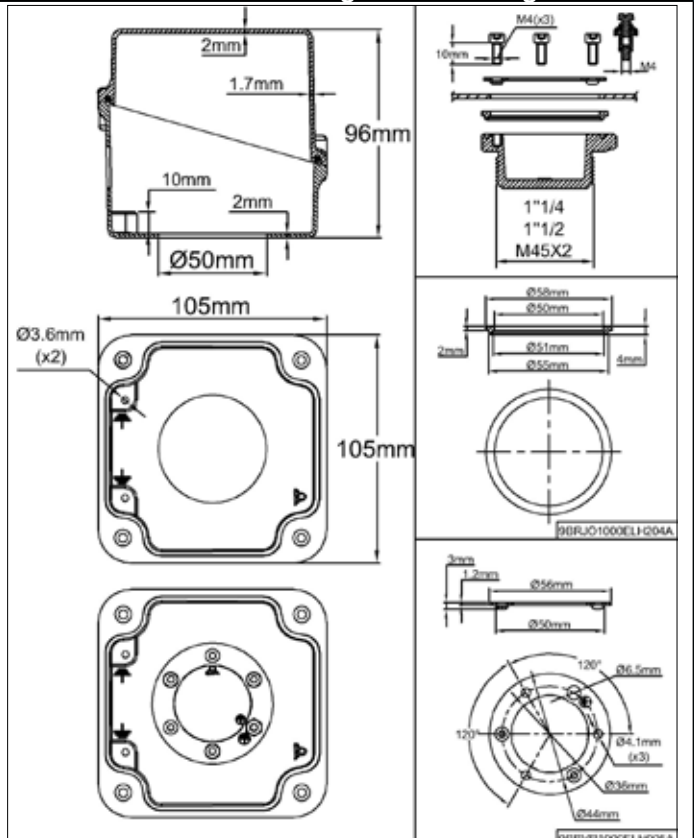
Main fitting configurations

Mobile brass fitting with M45 threaded ring*

Mobile brass fitting with 3 hole ring*



Reference : Replace B00 in the basic reference by BR4



Reference : Replace B00 in the basic reference by B34

Immersion heaters connection boxes

Size 5

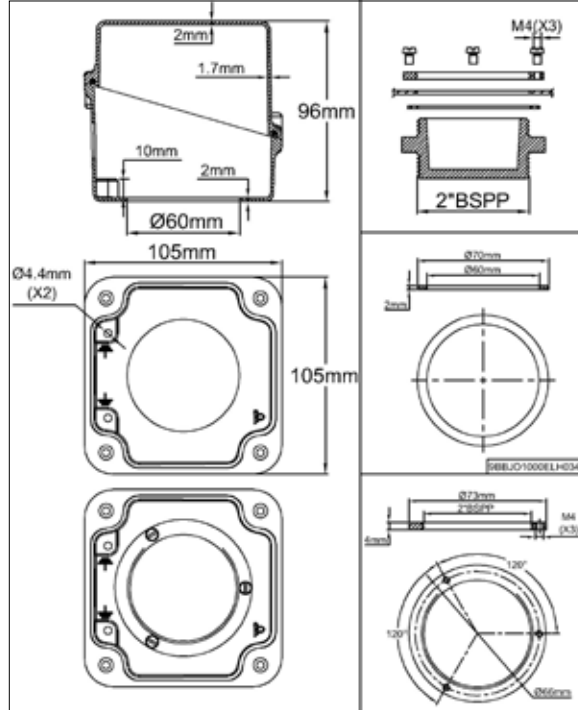
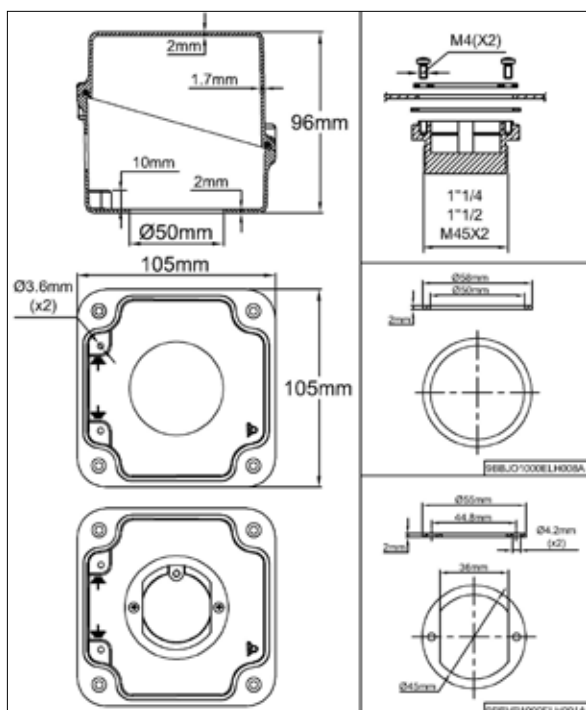


105x105x96 mm Simplified

Dimensions: **105x105x96 mm Simplified**
(2nd section)

Mobile brass fitting with 2 hole ring*

Mobile brass fitting with 2" threaded ring*



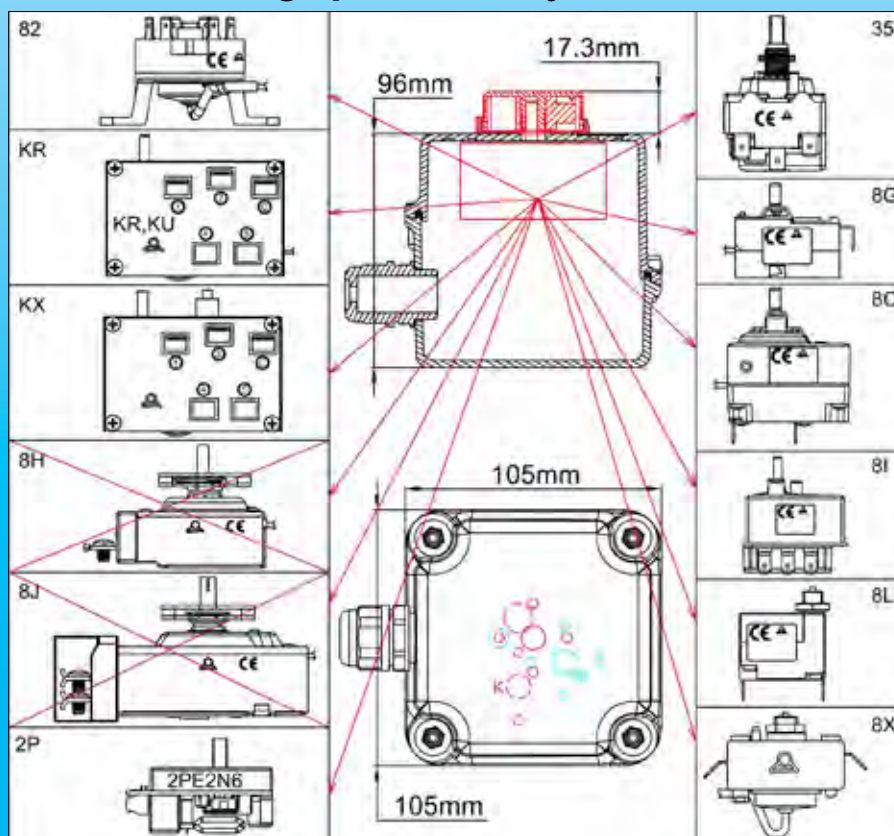
Reference : Replace B00 in the basic reference by B24

Reference : Replace B00 in the basic reference by B2R

* References do not include the brass fitting (See accessories at the end of this catalogue)

Internal accessories : These models can receive thermostats but not internal bracket options, and thermostats mounting holes are drilled after molding

Mounting options directly on the cover



Drilling references : Replace the characters TT in the basic reference by the 2 characters located in the selected thermostat cell.
Attention : the thermostat and eventually the knob and bezel must be ordered separately, see catalogue N°1.

