



Dia. 100x100 mm Universal

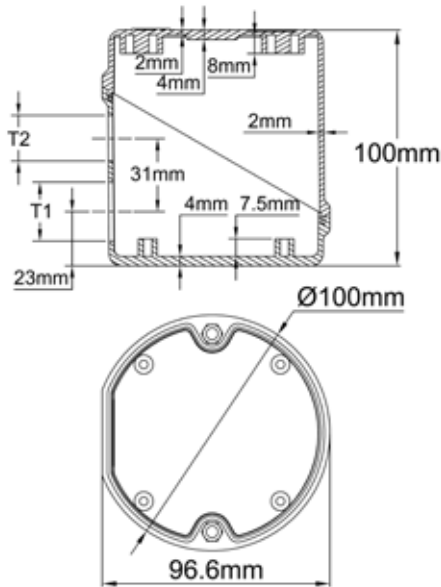
## Immersion heaters connection boxes

**Dimensions: Dia. 100x100 mm Universal (1st section)**

**Material:** Fiber glass reinforced PA66

**Type:** Universal, unlosable stainless steel fasteners

### Basic references

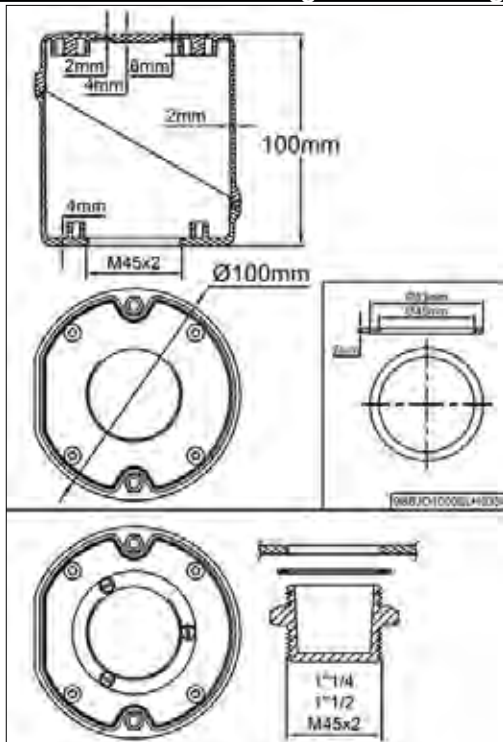


Basic references, no fitting holes, cable gland not included

No cable gland hole	Y306U00E00TTOXGA
Dia 16mm hole (T2)	Y306UH1E00TTOXGA
Dia 20mm hole (T2)	Y306UH4E00TTOXGA
Dia 20mm hole (T1)	Y306UH3E00TTOXGA
Dia 25mm hole (T1)	Y306UH6E00TTOXGA
Dia 16mm hole (T2)+ Dia 25mm hole (T1)	Y306UH7E00TTOXGA
Dia 20mm hole (T2)+ Dia 20mm hole (T1)	Y306UH5E00TTOXGA

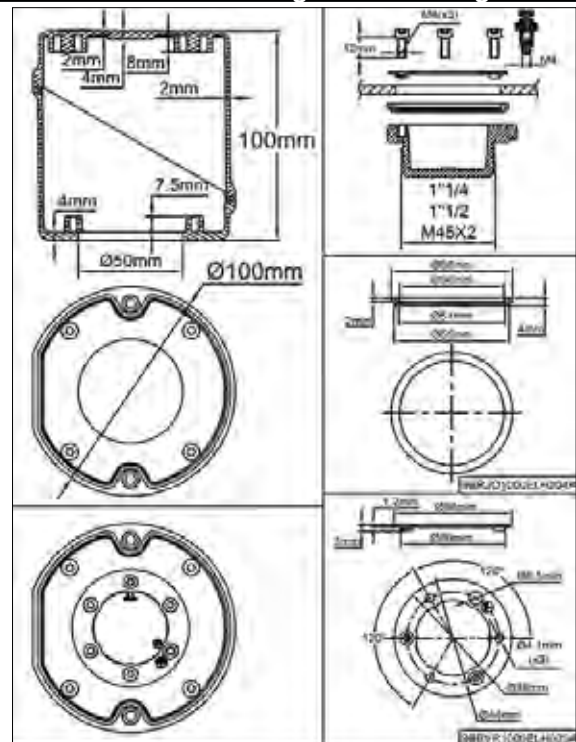
### Main fitting configurations

M45 thread for brass fitting direct mounting\*



Reference : Replace E00 in the basic reference by E45

Mobile brass fitting with 3 hole ring\*



Reference : Replace E00 in the basic reference by E34

# Immersion heaters connection boxes

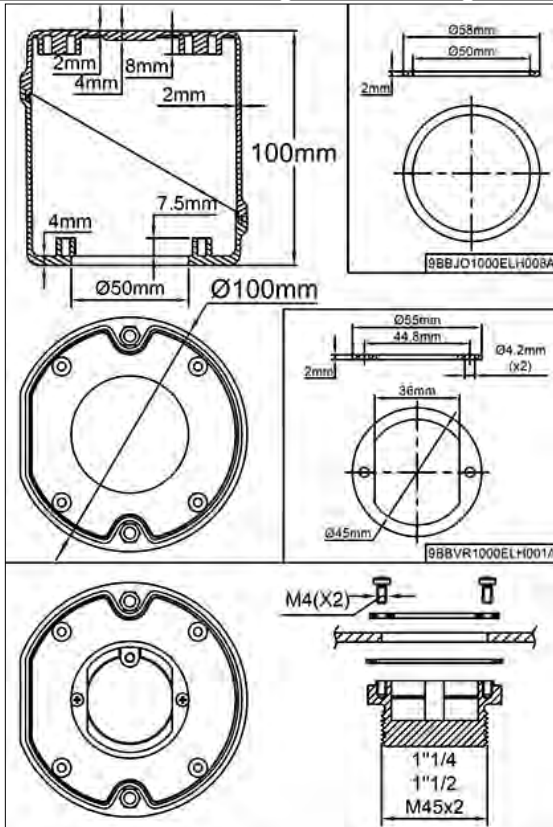
Size 6



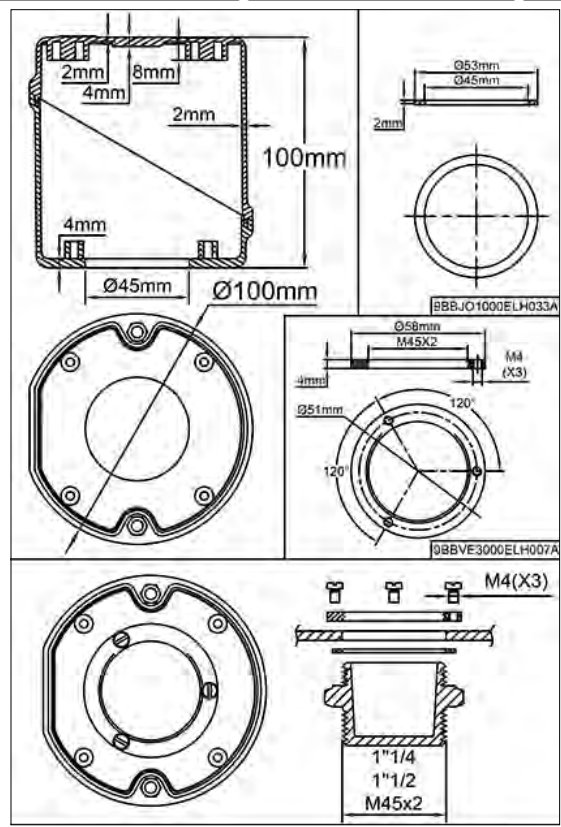
Dia. 100x100 mm Universal

## Dimensions: 105x105x96 mm Universal (2nd section)

### Mobile brass fitting with 2 hole ring\*



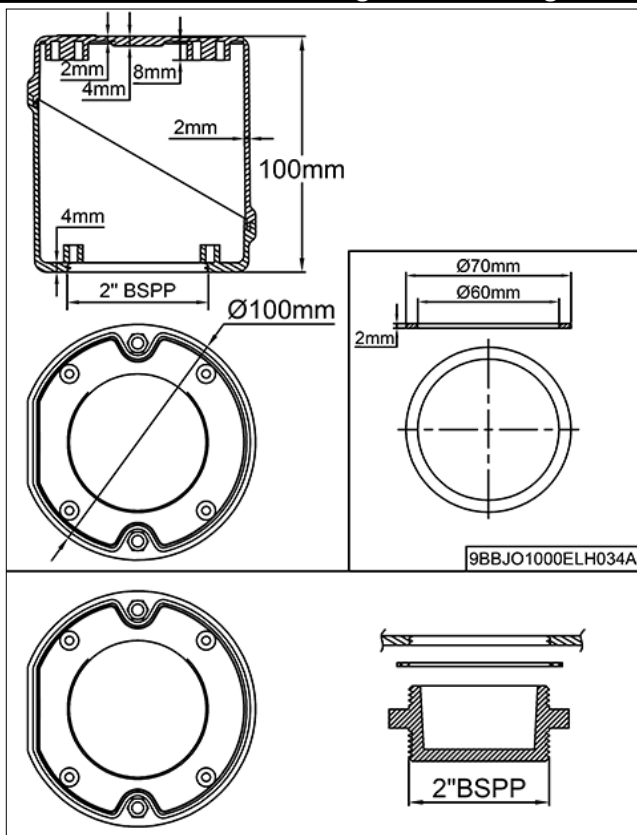
### Mobile brass fitting with M45 threaded ring\*



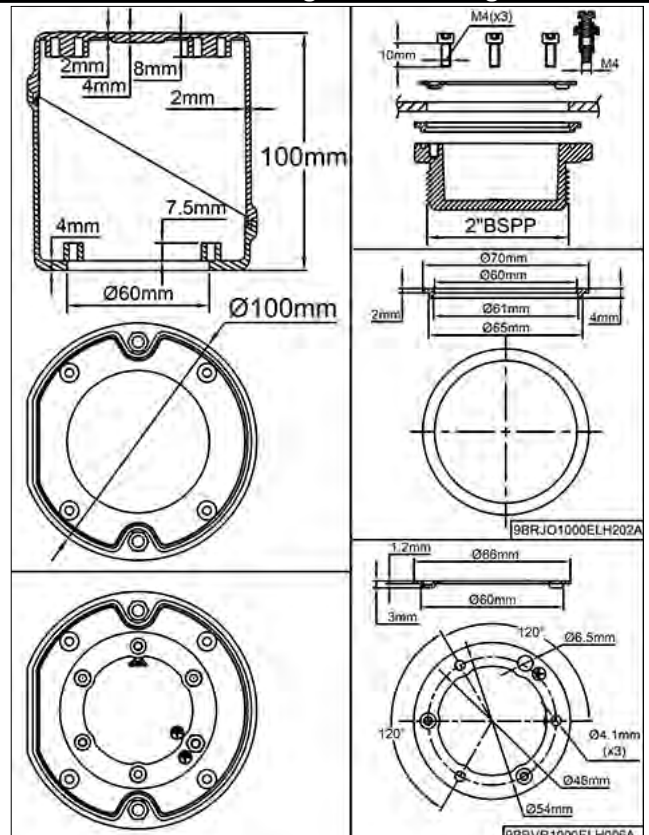
Reference : Replace E00 in the basic reference by E24

Reference : Replace E00 in the basic reference by ER4

### 2" thread for brass fitting direct mounting\*



### 2" mobile brass fitting with 3 hole ring dia.60\*



Reference : Replace E00 in the basic reference by E21

Reference : Replace E00 in the basic reference by E36

\* References do not include the brass fitting (See accessories at the end of this catalogue)

Because of permanent improvement of our products, drawings, descriptions, features used on these data sheets are for guidance only and can be modified without prior advice





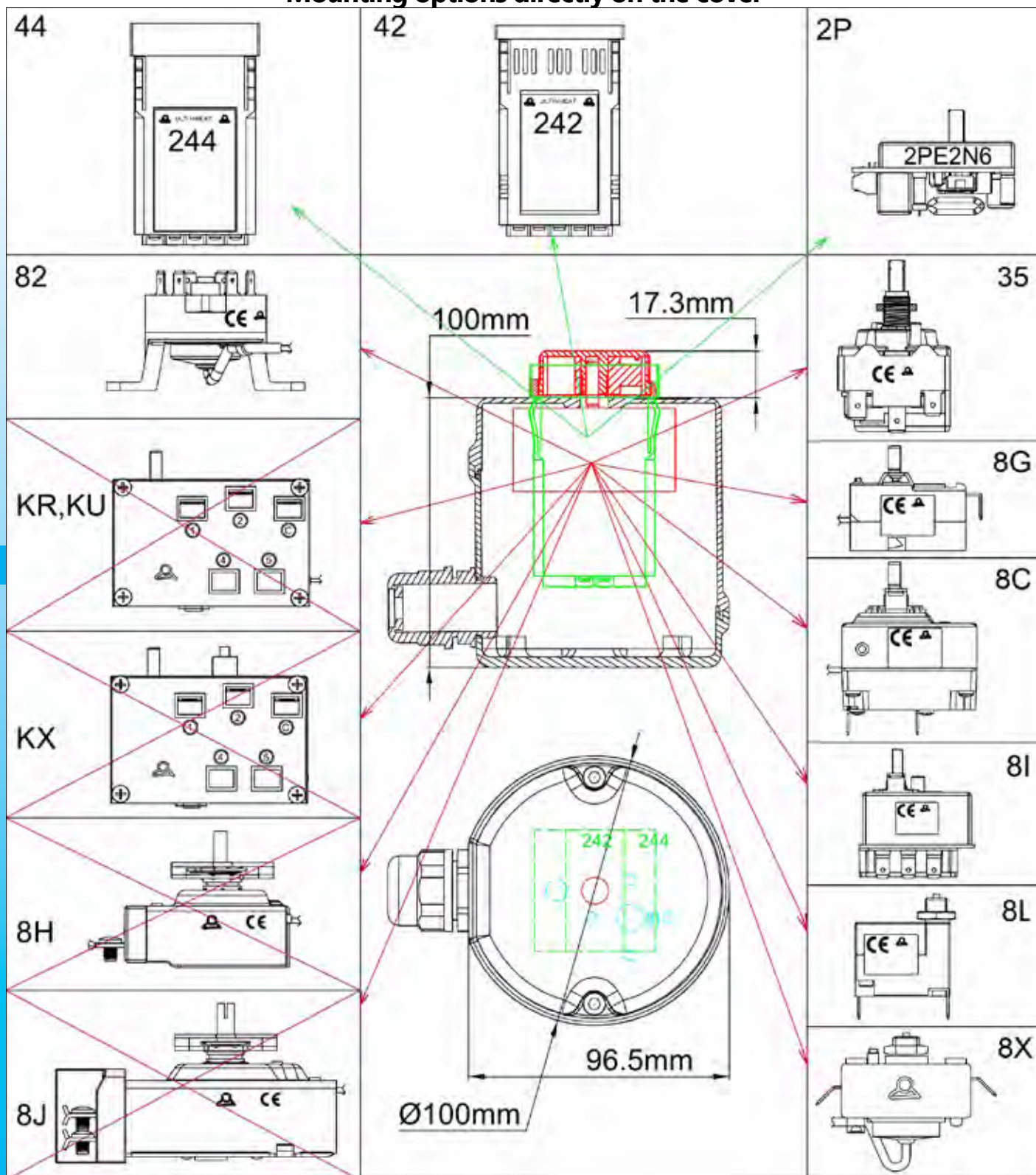
Dia. 100x100 mm Universal

## Immersion heaters connection boxes

**Dimensions: Dia. 100x100 mm Universal (3rd section)**

**Internal accessories:** These models can receive thermostats and internal bracket options

**Mounting options directly on the cover**



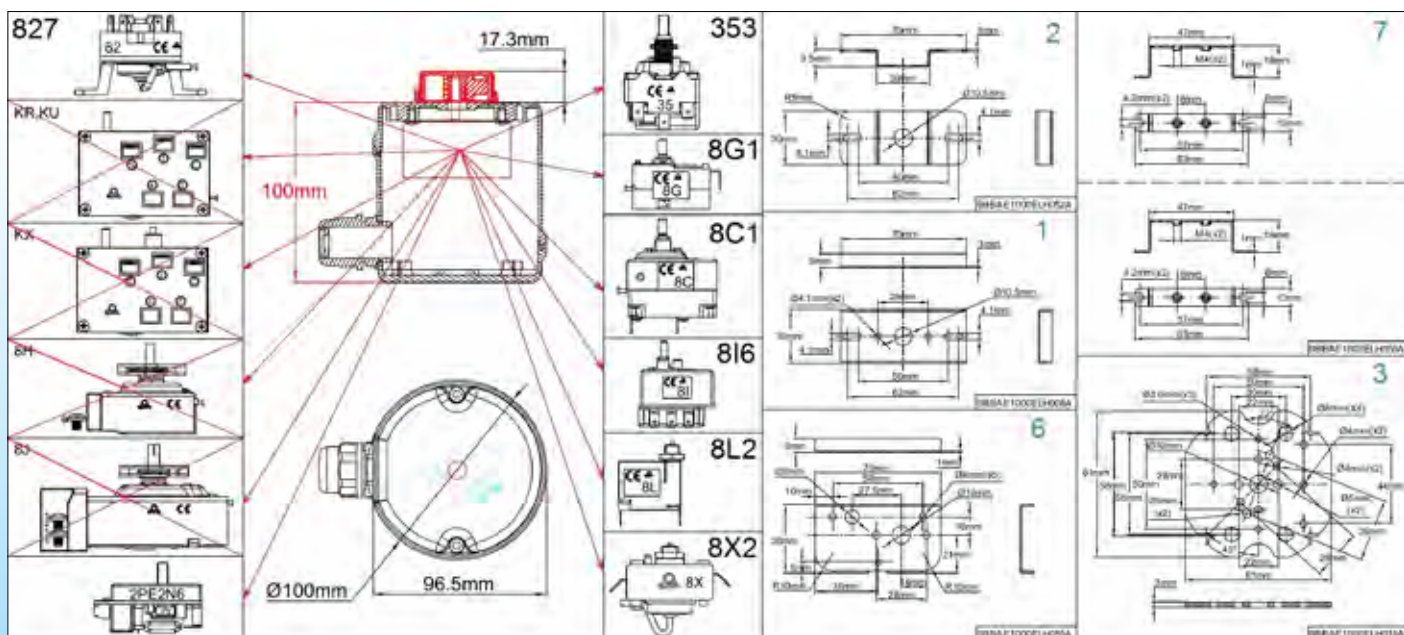
**Drilling references :** Replace the characters TT in the basic reference by the 2 characters located in the selected thermostat cell.

**Attention :** the thermostat and eventually the knob and bezel must be ordered separately, see catalogue N°1.

# Immersion heaters connection boxes



Dimensions: **Dia. 100x100 mm Universal**  
(4th section)  
Mounting options with internal bracket



**Drilling references** : Replace the characters TTO in the basic reference by the 3 characters located in the selected thermostat cell. **Attention** : the thermostat and eventually the knob and bezel must be ordered separately, see catalogue N°1.

Because of permanent improvement of our products, drawings, descriptions, features used on these data sheets are for guidance only and can be modified without prior advice

