



182x132x144 mm Universal

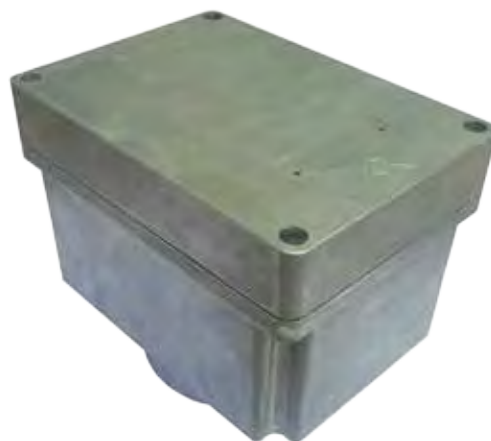
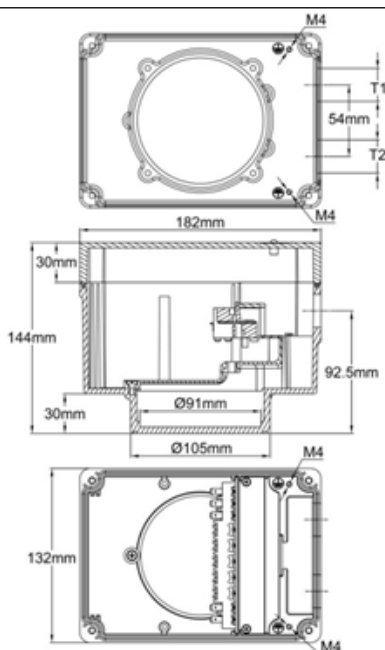
## Immersion heaters connection boxes

**Dimensions: 182x132x144 mm Universal (1st section)**

**Material:** Die cast aluminum

**Type:** *Universal*, unlosable stainless steel fasteners  
Many versions of this box size, fully equipped and wired are described in the catalog No. 3, series Y7.

### Basic references



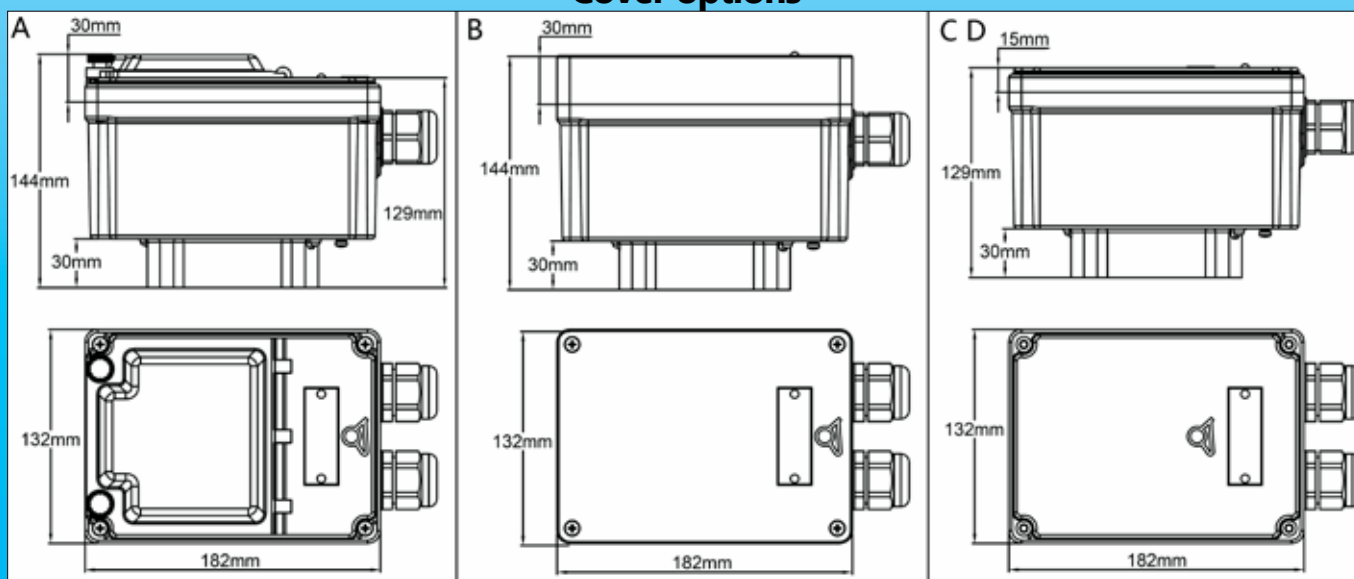
Basic references, with aluminum cover, no fitting holes, cable gland not included\*

No cable gland hole.	Y309U00B00TTOXA0
1 x M20 x 1.5 thread (T1).	Y309UM1B00TTOXA0
1 x M25 x 1.5 thread (T1).	Y309UM3B00TTOXA0
2 x M20 x 1.5 threads (T1+T2).	Y309UM8B00TTOXA0
2 x M25 x 1.5 threads (T1+T2).	Y309UM9B00TTOXA0
2x dia 20 holes for DIN 43650A connectors(T1+T2)**	Y309U1GB00TTOXA0

\* This type, with EX-e cable gland, can be fitted with thermostats for explosive areas. See catalogue N°4

\*\* This output is mandatory for models with 2 K thermostats

### Cover options



View	Description	References
A	Plastic cover with window	Replace B in the basic reference by A
B	Aluminum cover. (standard)	See basic references
C	Plastic cover, black color.	Replace B in the basic reference by C
D	Plastic cover, clear.	Replace B in the basic reference by D

# Immersion heaters connection boxes

Size 9

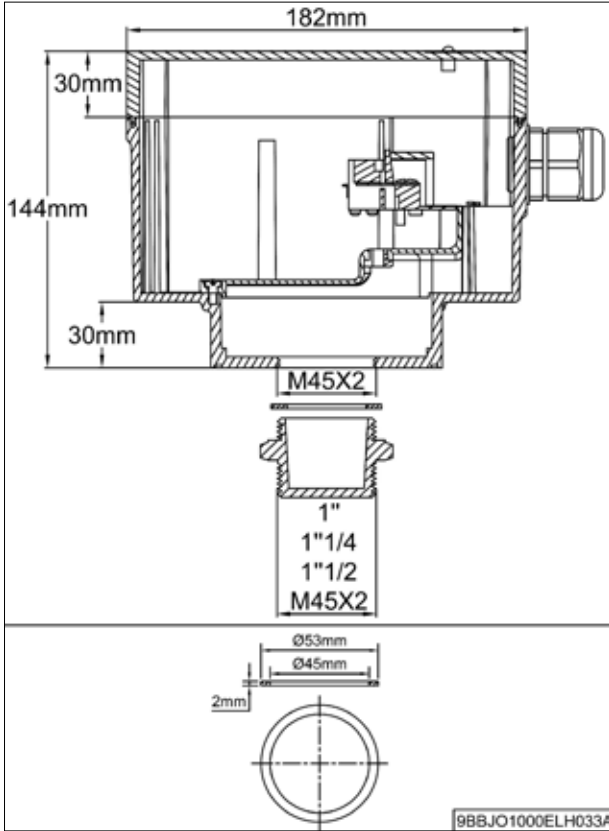


182x132x144 mm Universal

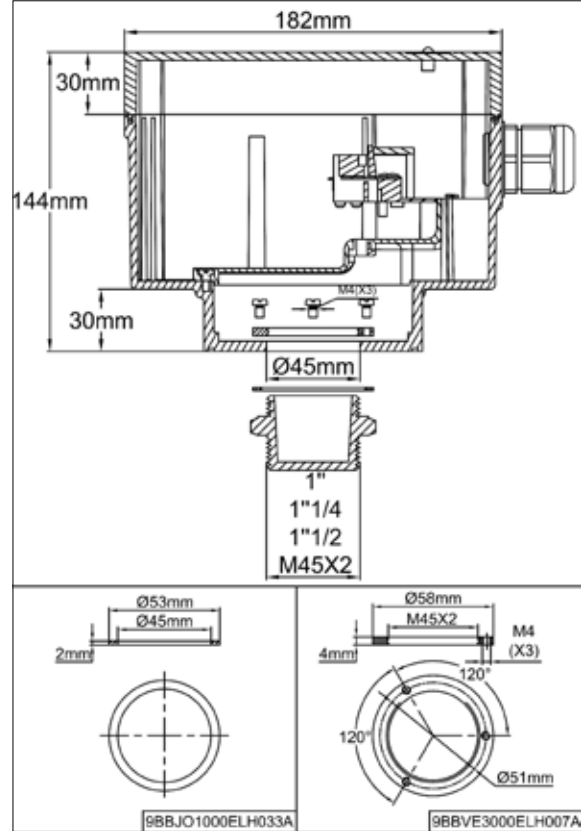
Dimensions: **182x132x144 mm Universal**  
(2nd section)

## Main fitting configurations

**M45 thread for brass fitting direct mounting\***



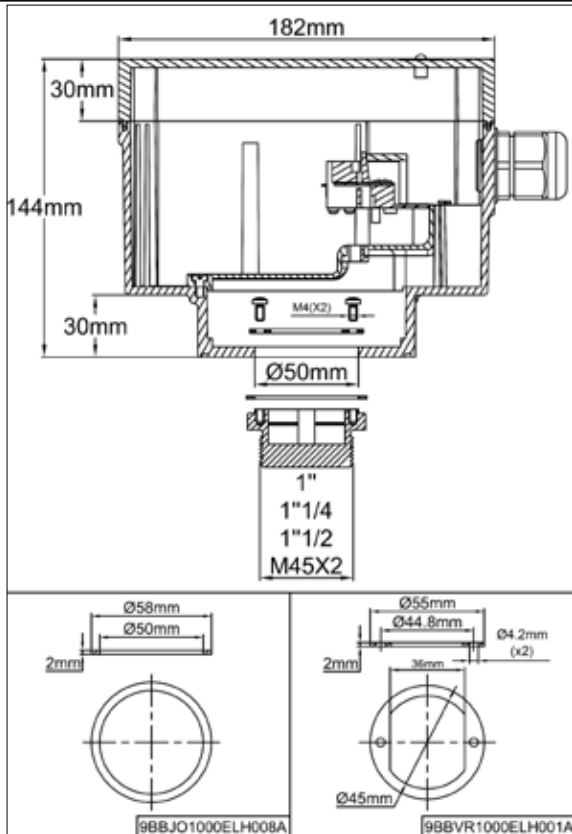
**Mobile brass fitting with M45 threaded ring\***



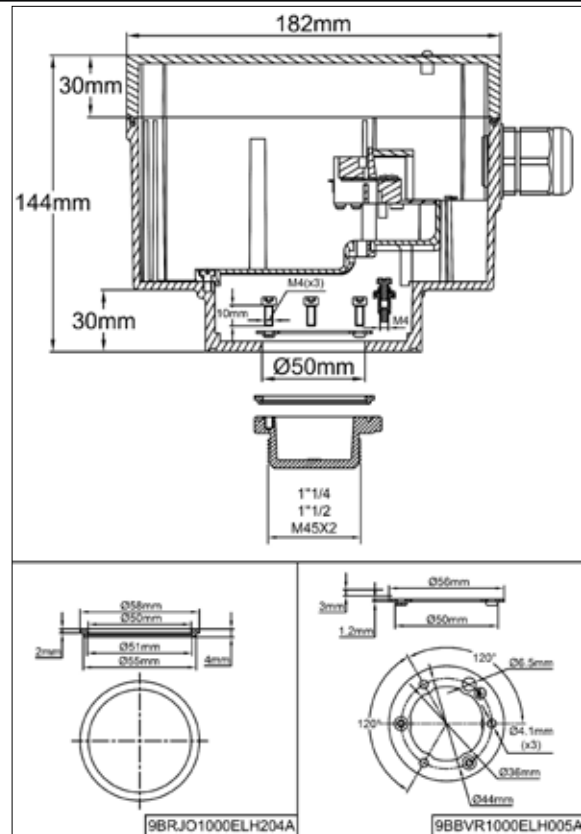
Reference : Replace B00 in the basic reference by B45

Reference : Replace B00 in the basic reference by BR4

**Mobile brass fitting with 2 hole ring\***



**Mobile brass fitting with 3 hole ring\***



Reference : Replace B00 in the basic reference by B24

Reference : Replace B00 in the basic reference by B34

Because of permanent improvement of our products, drawings, descriptions, features used on these data sheets are for guidance only and can be modified without prior advice



# Immersion heaters connection boxes



182x132x144 mm Universal

Dimensions: **182x132x144 mm Universal (3rd section)**

## Main fitting configurations (continued)

Mobile brass fitting with 2" threaded ring dia.60*	2" thread for fitting direct mounting*
<p>Reference : Replace B00 in the basic reference by B2R</p>	<p>Reference : Replace B00 in the basic reference by B2I</p>
2" mobile brass fitting with 3 hole ring dia.60*	M77 thread for fitting direct mounting*
<p>Reference : Replace B00 in the basic reference by B36</p>	<p>Reference : Replace B00 in the basic reference by B77</p>
Mobile brass fitting with 3 hole ring dia.88 (2"1/2 and M77)*	Mobile brass fitting with M77 threaded ring*
<p>Reference : Replace B00 in the basic reference by B37</p>	<p>Reference : Replace B00 in the basic reference by B7R</p>

\* References do not include the brass fitting (See accessories at the end of this catalogue)

Because of permanent improvement of our products, drawings, descriptions, features used on these data sheets are for guidance only and can be modified without prior advice

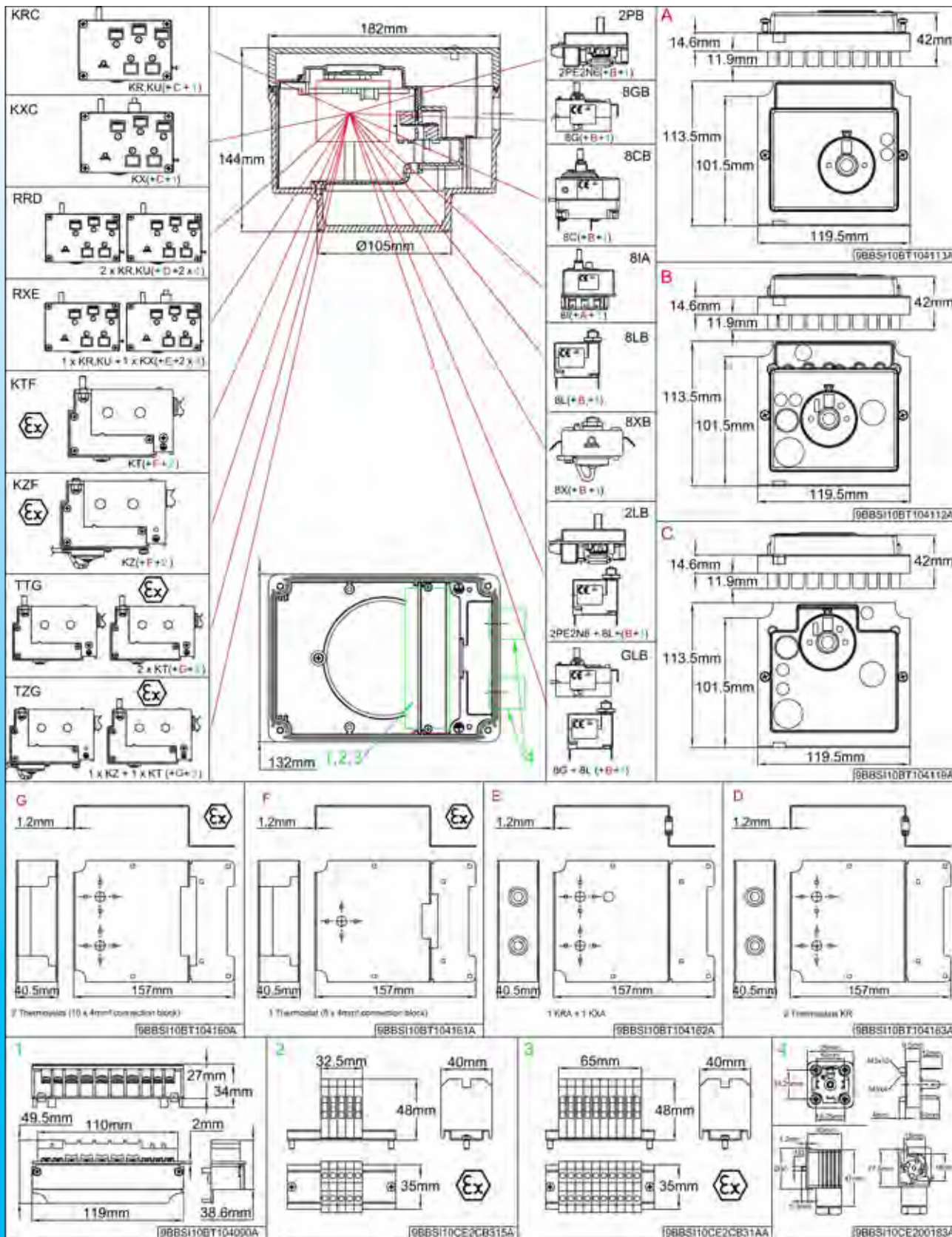




## Dimensions: 182x132x144 mm Universal (4th section)

**Internal accessories:** These models can receive thermostats, electronic controls, relays and contactors mounted on internal boards. They are not intended to receive accessories mounted directly on the cover(s)

### Thermostat mounting options on internal mounting boards



Because of permanent improvement of our products, drawings, descriptions, features used on these data sheets are for guidance only and can be modified without prior advice

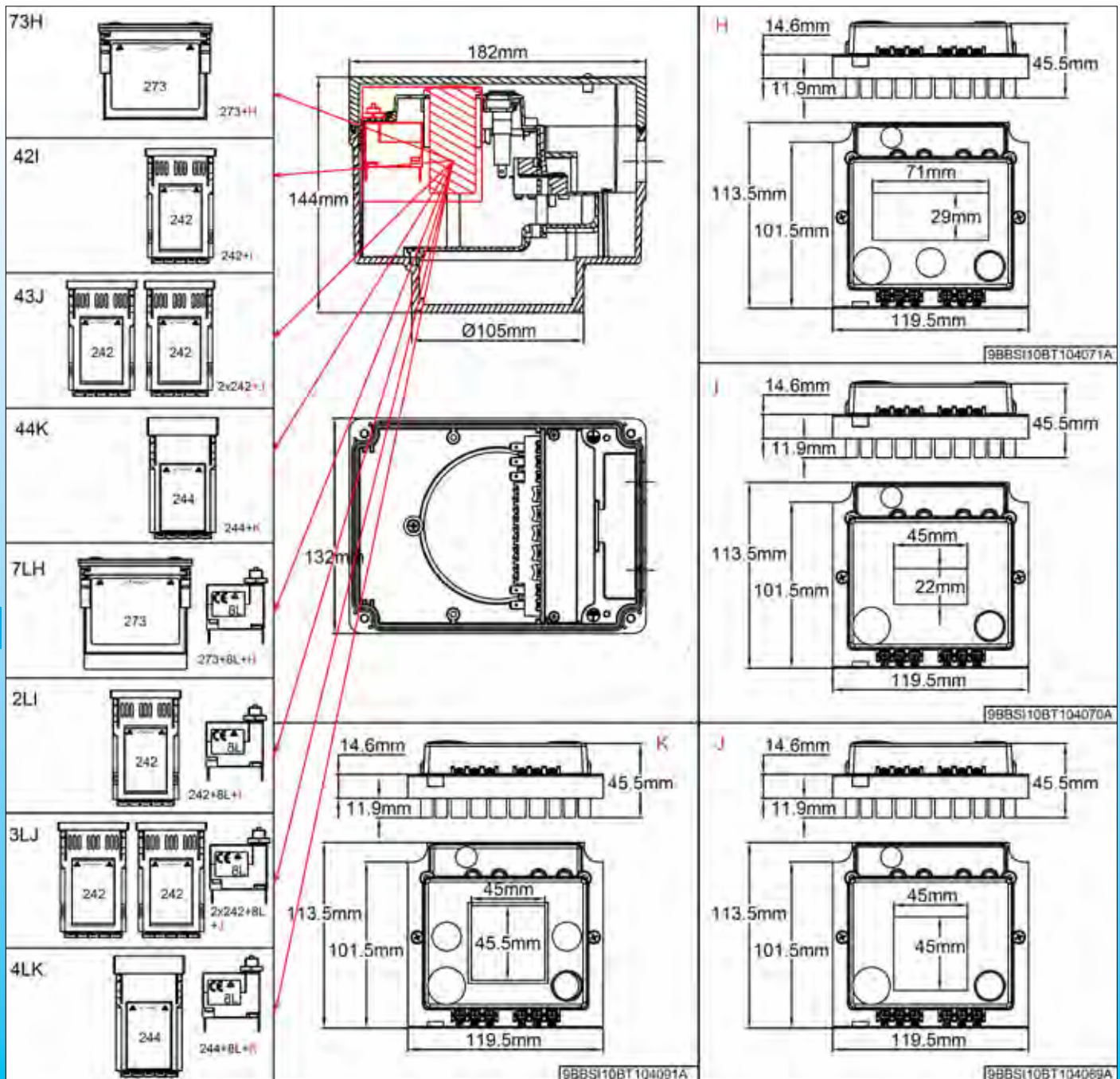
**References :** Replace the characters TTO in the basic reference by the 3 characters located in the selected thermostat cell.  
**Attention :** the thermostat and eventually the knob and bezel must be ordered separately, see catalogue N°1 for standard thermostats and catalogue N°4 for explosion proof EX thermostats.



# Immersion heaters connection boxes

Dimensions: **182x132x144 mm Universal**  
(5th section)

## Electronic control mounting options on internal mounting boards



**References :** Replace the characters TTO in the basic reference by the 3 characters located in the selected electronic controller cell. **Attention :** Electronic controller must be ordered separately, see catalogue N°3 describing every possible version.

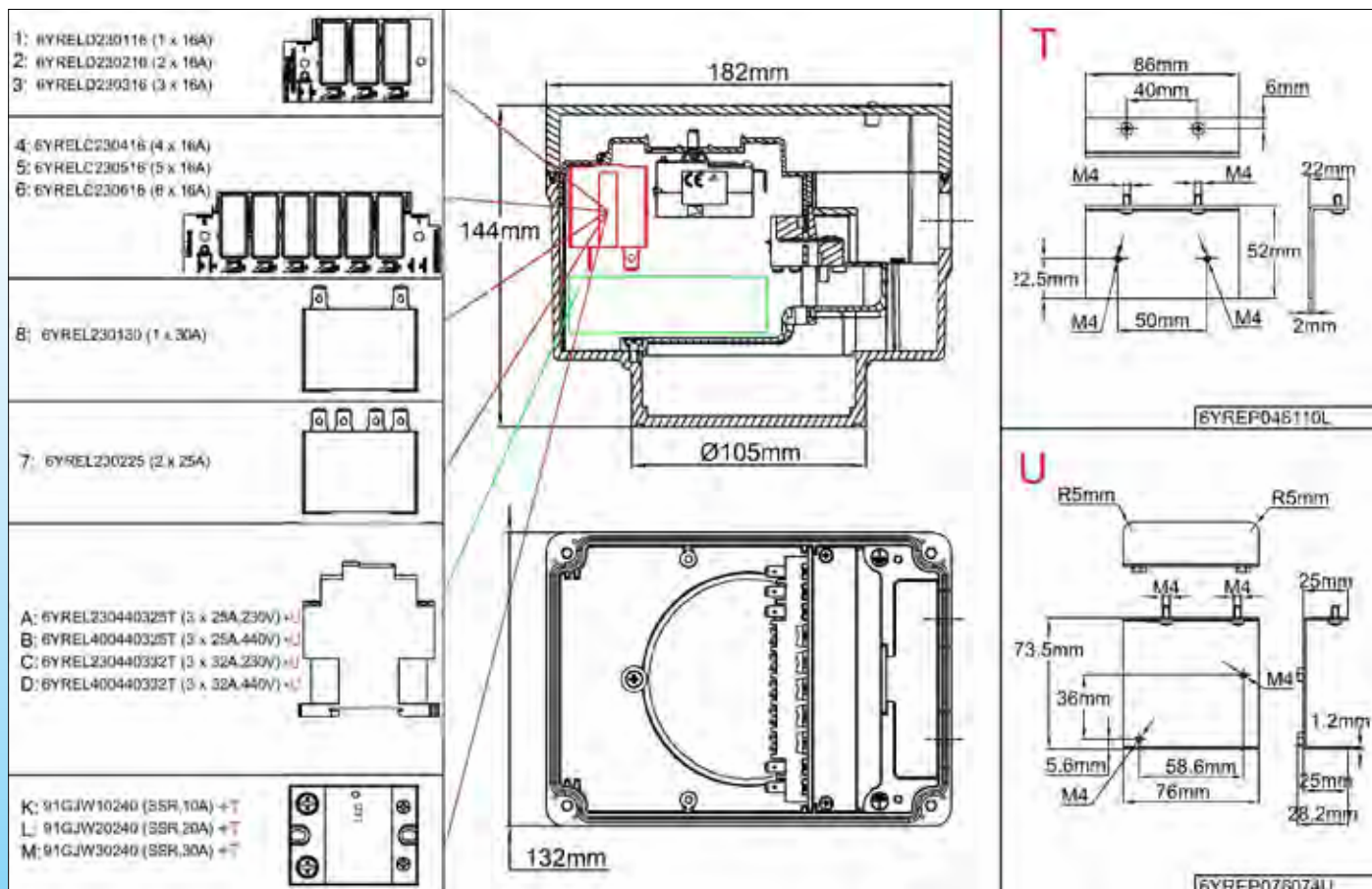
# Immersion heaters connection boxes

Size 9



182x132x144 mm Universal

**Dimensions: 182x132x144 mm Universal (6th section)**  
**Relay and contactor internal mounting options**



**References :** Replace the character X in the basic reference by the character located in the selected relay cell.

**Attention :** relays must be ordered separately, see catalogue N°3 describing every possible version.

Because of permanent improvement of our products, drawings, descriptions, features used on these data sheets are for guidance only and can be modified without prior advice

