

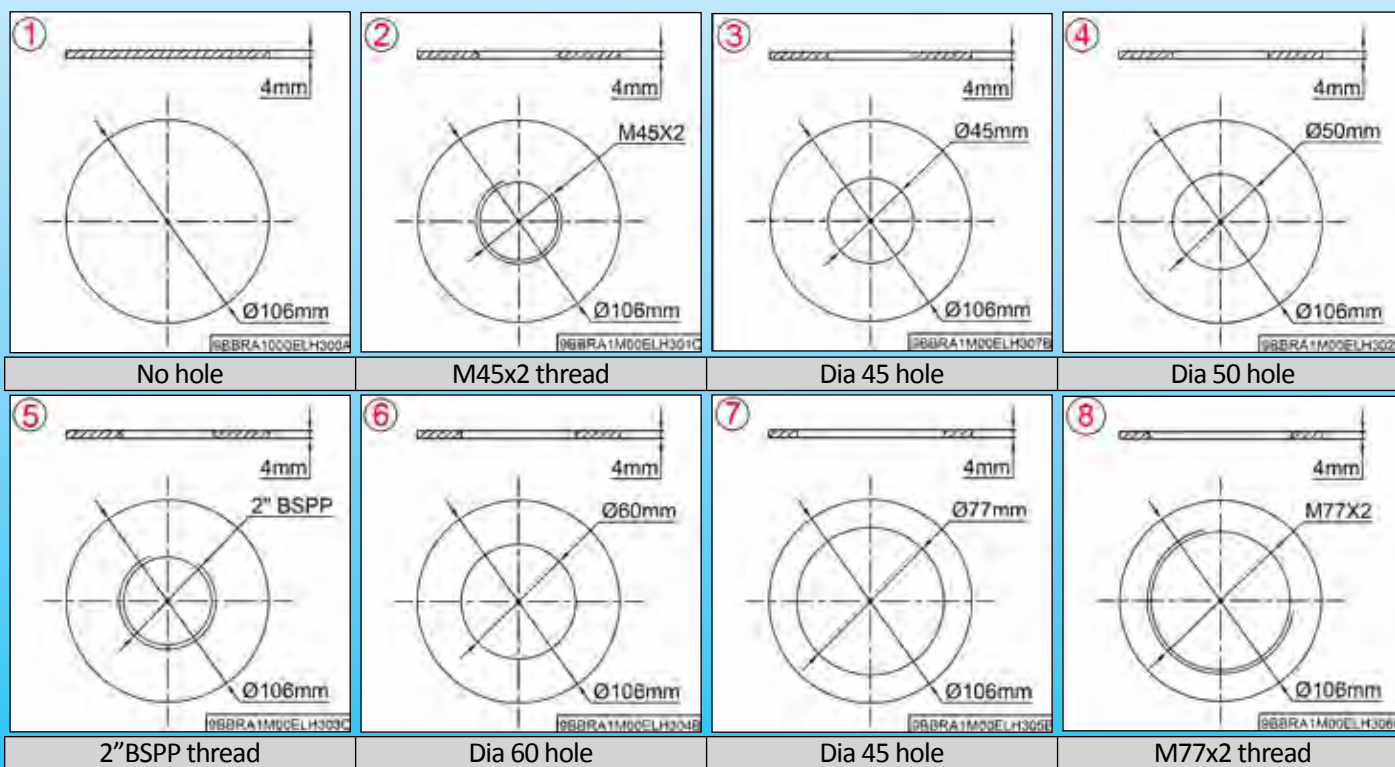
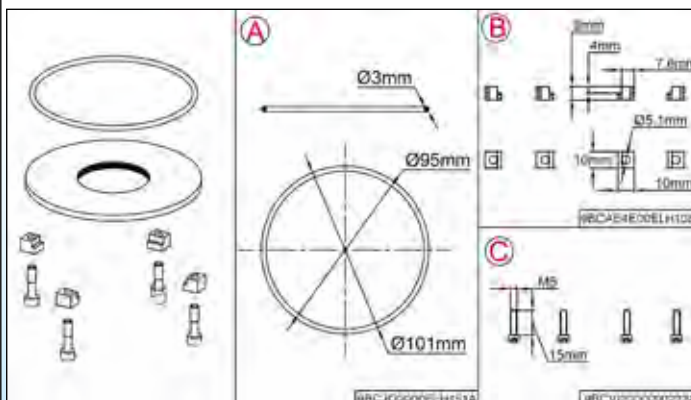
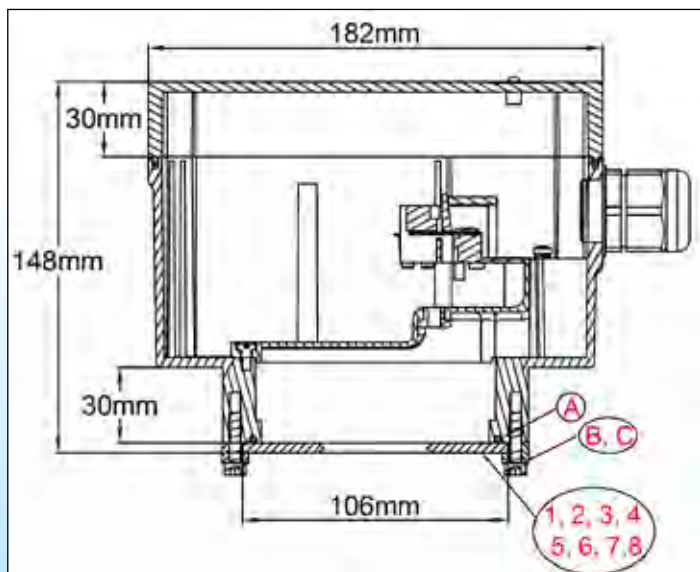
Immersion heaters connection boxes

Size 9



182x132x144 mm Universal with ring

Dimensions : **182x132x148 mm Universal (2nd section)**
Backside aluminum rings



This enclosure is supplied in standard with four M5x12 screws (parts A), 4 clamps (parts B) and one gasket (part C). They can be purchased as spare parts (References on the drawing)

Backside rings can be purchased as spare parts (references on drawing) or fitted on enclosure. Reference with aluminum ring fitted: Replace character N°10 (0) by the number on the drawing

Accessories

Other accessories: Brass and stainless steel fittings, inside rings, gaskets must be ordered separately and can be found at the end of this catalogue

