

Immersion heaters connection boxes

Size 10



182x132x224 mm Universal

Dimensions: 182x132x224 mm Universal (1st section)

Material: Die cast aluminum

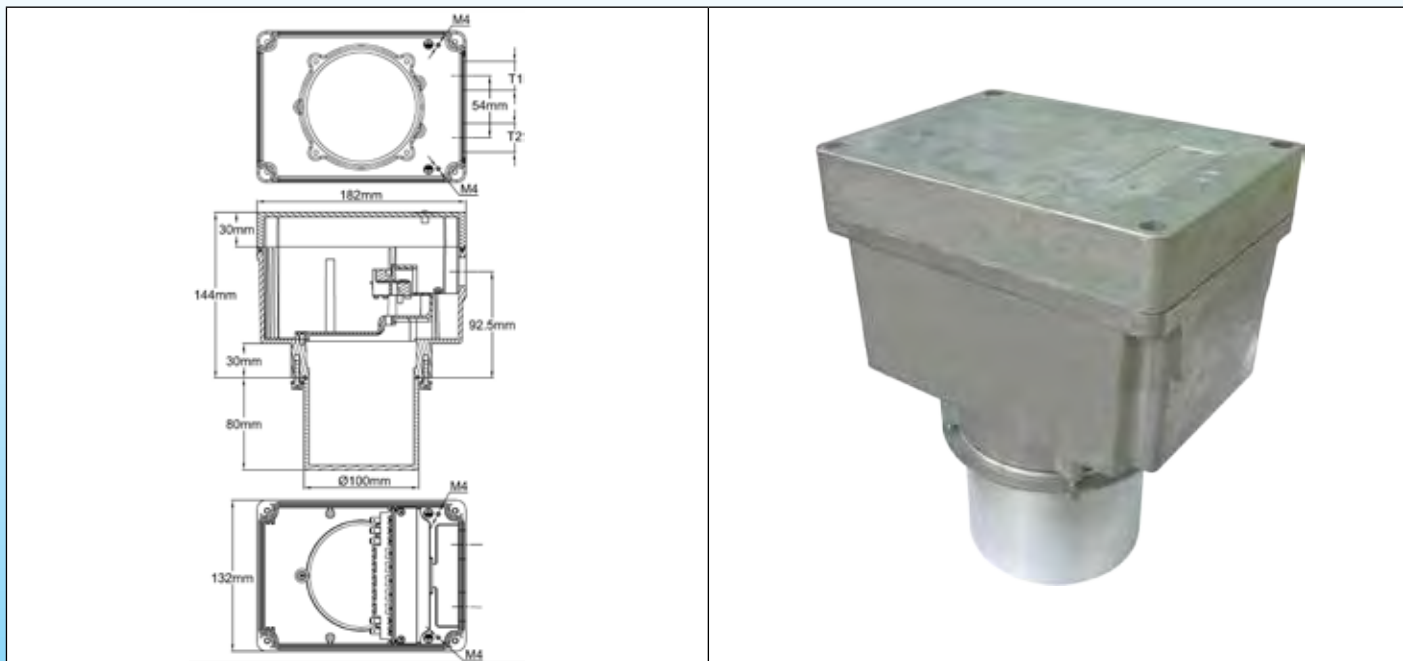
Type: Universal, unlosable stainless steel fasteners

This range is made with the 182x132x144mm, but a 80mm extension has been added, to fit high power industrial immersion heaters, main made with 16mm diameter tubes.

This extension is mobile and it is possible to adjust the housing position without the need to open it.

Many versions of this box size, fully equipped and wired are described in the catalog No. 3, series Y7.

Basic references



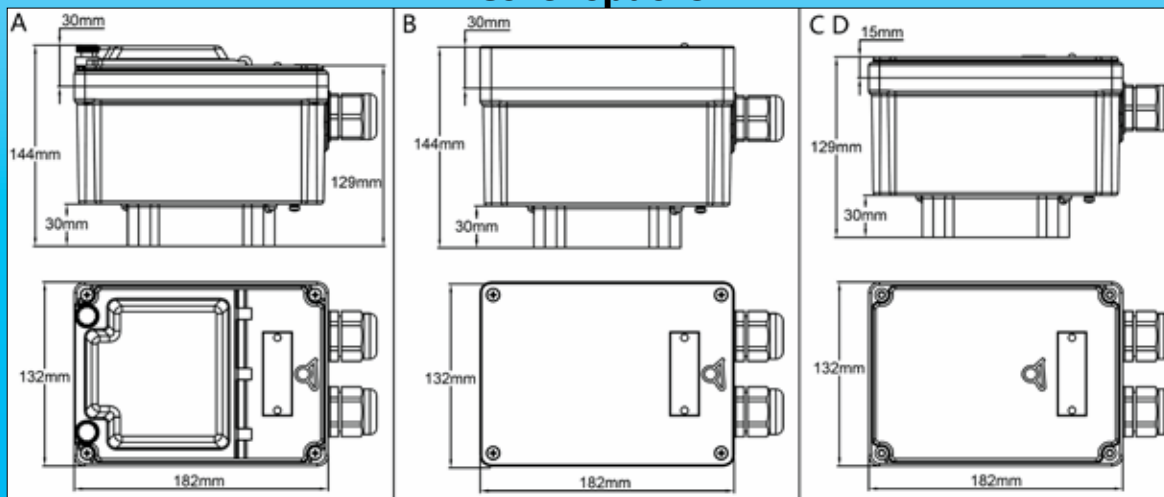
Basic references, with aluminum cover, no fitting holes, cable gland not included*

No cable gland hole.	Y310400B00TTOXA0
1 x M20 x 1.5 thread (T1).	Y3104M1B00TTOXA0
1 x M25 x 1.5 thread (T1).	Y3104M3B00TTOXA0
2 x M20 x 1.5 thread (T1+T2).	Y3104M8B00TTOXA0
2 x M25 x 1.5 thread (T1+T2).	Y3104M9B00TTOXA0
2x dia 20 holes for DIN 43650A connectors(T1+T2)**	Y3104GBB00TTOXA0

* This type, with EX-e cable gland, can be fitted with thermostats for explosive areas. See catalogue N°4

** This output is mandatory for models with 2 K thermostats

Cover options



View	Description	References
A	Plastic cover with window	Replace B in the basic reference by A
B	Aluminum cover. (standard)	See basic references
C	Plastic cover, black color.	Replace B in the basic reference by C
D	Plastic cover, clear.	Replace B in the basic reference by D



Immersion heaters connection boxes



182x132x224 mm Universal

Dimensions: **182x132x224 mm Universal**
(2nd section)

Main fitting configurations.

The 80 mm extension is requested only for industrial large size heaters. Therefore, small size fittings, even if they are possible, are not described.

Mobile brass fitting with 2" ring dia.60*	2" thread for fitting direct mounting*
Reference : Replace B00 in the basic reference by B2R	Reference : Replace B00 in the basic reference by B2I
Mobile brass fitting, 3 hole ring, M77 or 2"1/2*	Mobile brass fitting, 3 hole ring, 2" dia.60*
Reference : Replace B00 in the basic reference by B37	Reference : Replace B00 in the basic reference by B36
Mobile brass fitting with M77 threaded ring*	M77 thread for fitting direct mounting*
Reference : Replace B00 in the basic reference by B7R	Reference : Replace B00 in the basic reference by B77

* References do not include the brass fitting (See accessories at the end of this catalogue)

Because of permanent improvement of our products, drawings, descriptions, features used on these data sheets are for guidance only and can be modified without prior advice



Immersion heaters connection boxes

Size 10

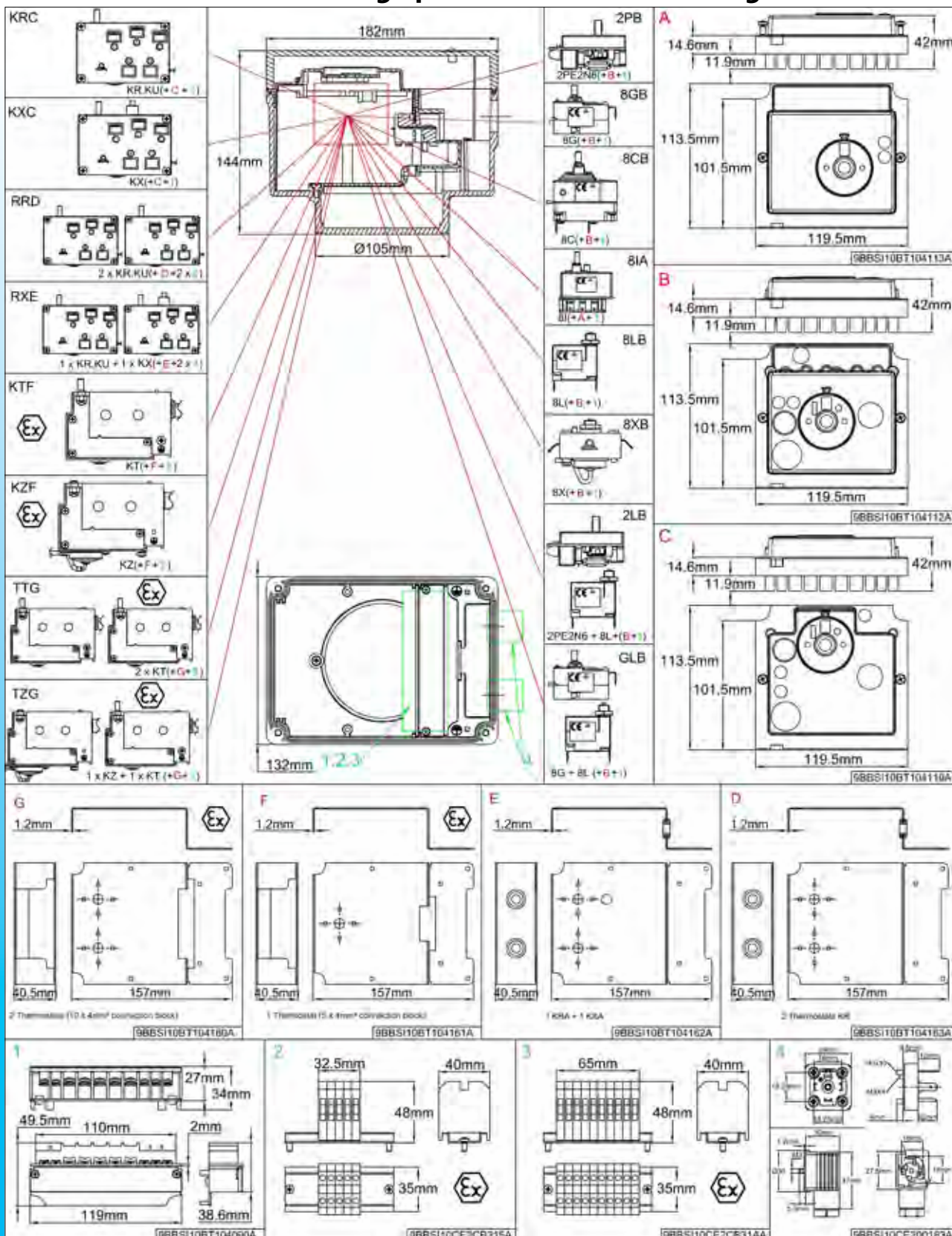


182x132x224 mm Universal

Dimensions: 182x132x224 mm Universal (3th section)

Internal accessories: These models can receive thermostats, electronic controls, relays and contactors mounted on internal boards. They are not intended to receive accessories mounted directly on the cover(s)

Thermostats mounting options on internal mounting boards



References : Replace the characters TT in the basic reference by the 3 characters located in the selected thermostat cell.

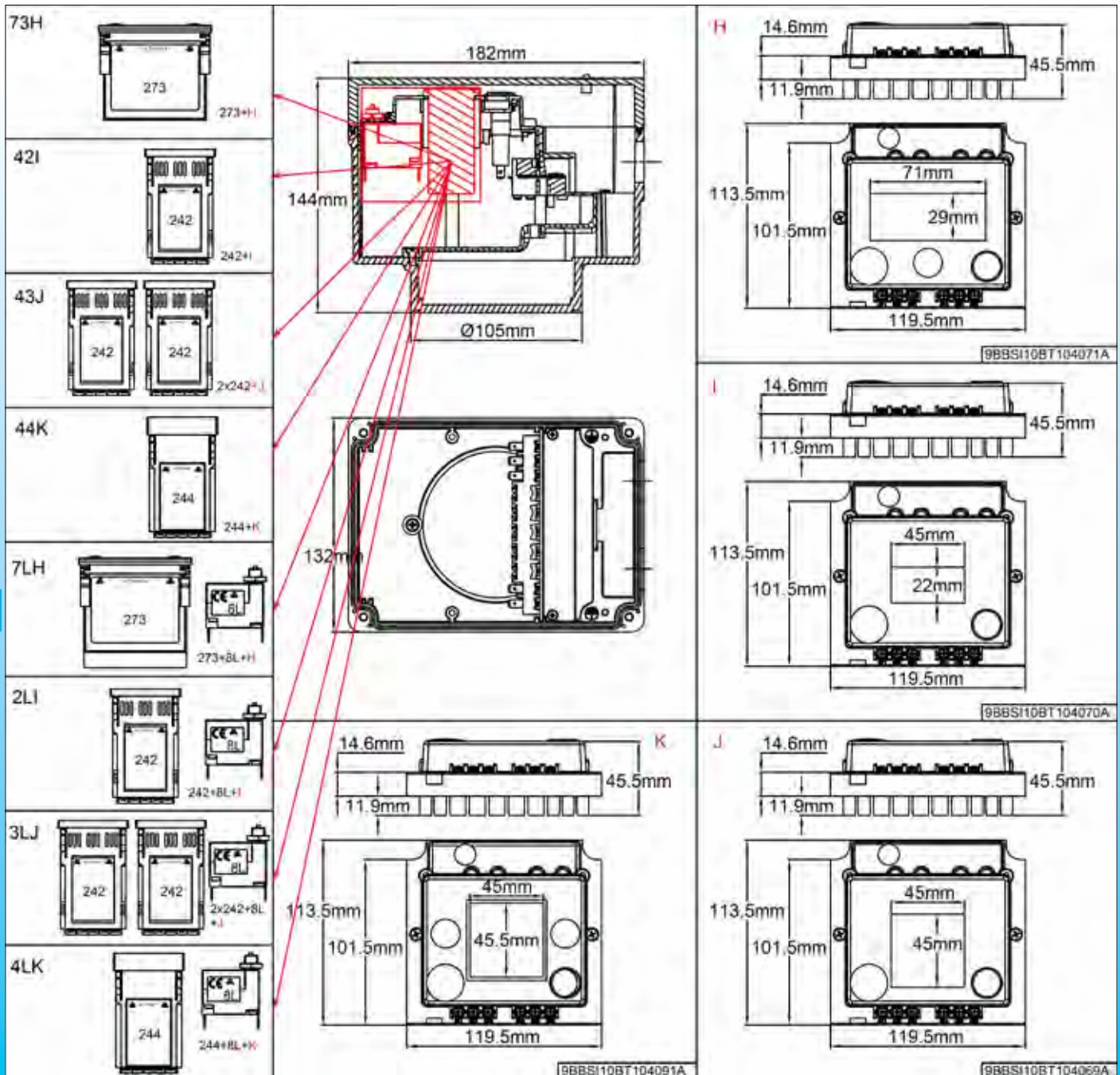
Attention : the thermostat and eventually the knob and bezel must be ordered separately, see catalogue N°1 for standard thermostats and catalogue N°4 for explosion proof EX thermostats.



Immersion heaters connection boxes

Dimensions: **182x132x224 mm Universal**
(4th section)

Electronic control mounting options on internal mounting boards



References : Replace the characters TTO in the basic reference by the 3 characters located in the selected electronic controller cell. **Attention:** Electronic controller must be ordered separately, see catalogue N°3 describing every possible version.

Immersion heaters connection boxes

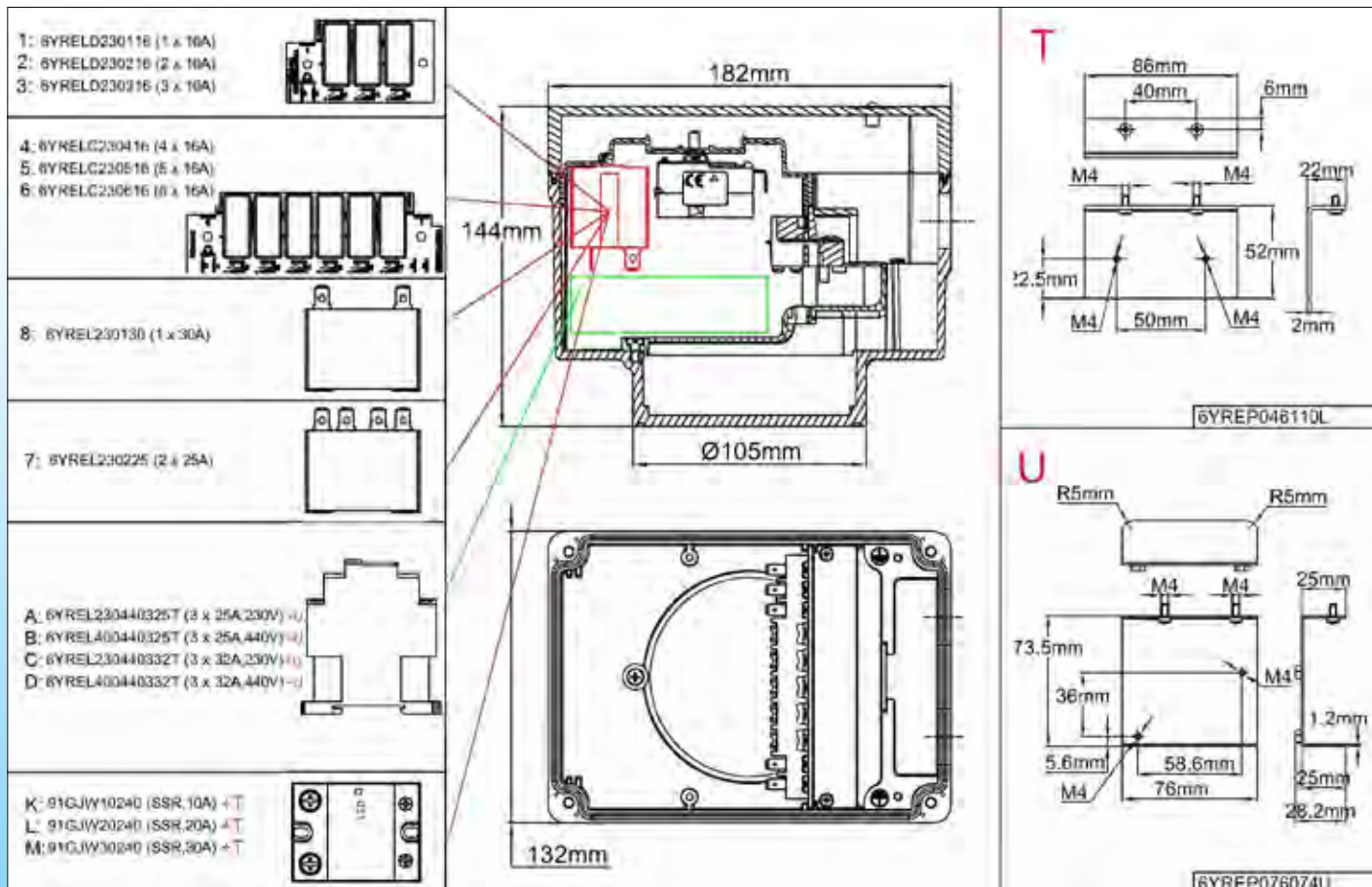
Size 10



182x132x224 mm Universal

Dimensions: **182x132x224 mm Universal (5th section)**
Relay and contactor internal mounting options

Because of permanent improvement of our products, drawings, descriptions, features used on these data sheets are for guidance only and can be modified without prior advice



References : Replace the character X in the basic reference by the character located in the selected relay cell.

Attention: relays must be ordered separately, see catalogue N°3 describing every possible version.

