

Immersion heaters connection boxes

Size 10



182x132x224 mm Universal

Dimensions: 182x132x224 mm Universal (1st section)

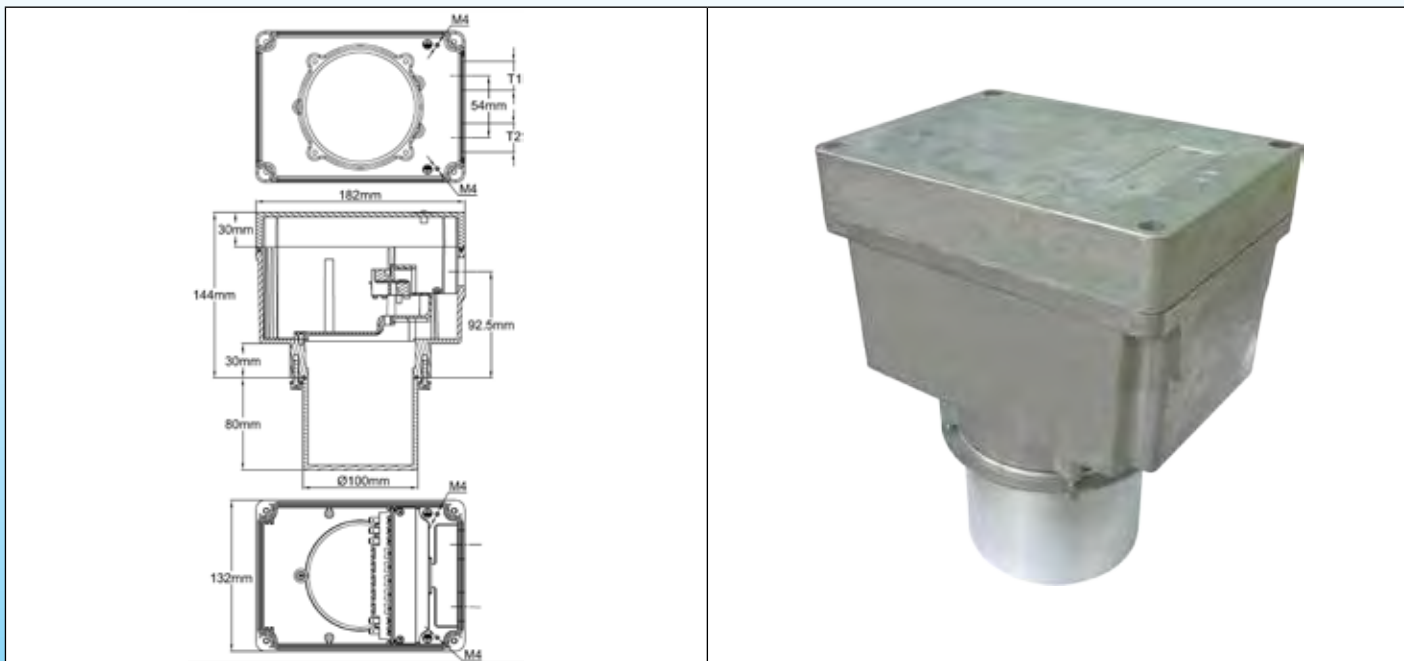
Material: Die cast aluminum

Type: *Universal*, unlosable stainless steel fasteners

This range is made with the 182x132x144mm, but a 80mm extension has been added, to fit high power industrial immersion heaters, main made with 16mm diameter tubes. This extension is mobile and it is possible to adjust the housing position without the need to open it.

Many versions of this box size, fully equipped and wired are described in the catalog No. 3, series Y7.

Basic references



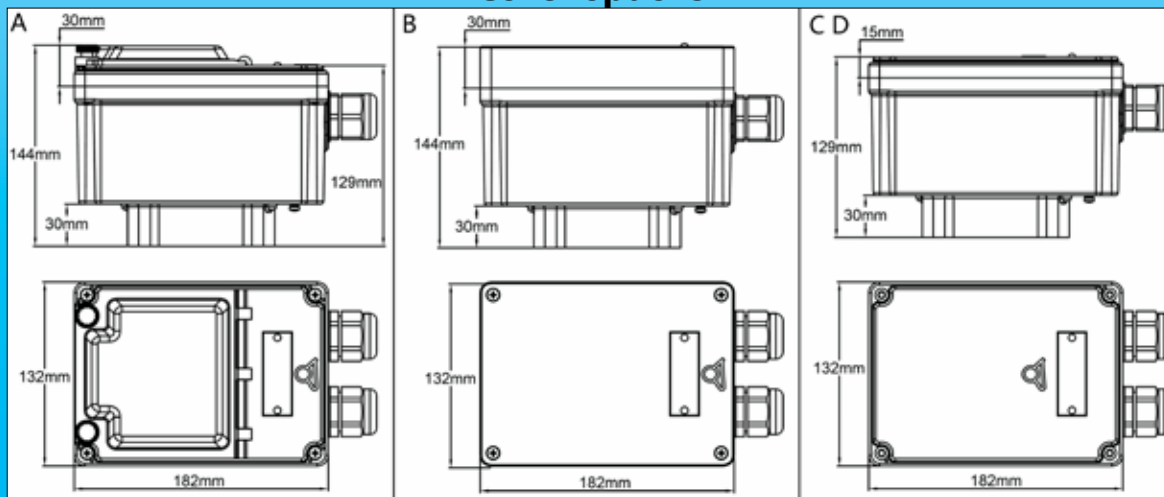
Basic references, with aluminum cover, no fitting holes, cable gland not included*

| | |
|---|------------------|
| No cable gland hole. | Y310400B00TTOXA0 |
| 1 x M20 x 1.5 thread (T1). | Y3104M1B00TTOXA0 |
| 1 x M25 x 1.5 thread (T1). | Y3104M3B00TTOXA0 |
| 2 x M20 x 1.5 thread (T1+T2). | Y3104M8B00TTOXA0 |
| 2 x M25 x 1.5 thread (T1+T2). | Y3104M9B00TTOXA0 |
| 2x dia 20 holes for DIN 43650A connectors(T1+T2)** | Y3104GBB00TTOXA0 |

* This type, with EX-e cable gland, can be fitted with thermostats for explosive areas. See catalogue N°4

** This output is mandatory for models with 2 K thermostats

Cover options



| View | Description | References |
|------|-----------------------------|---------------------------------------|
| A | Plastic cover with window | Replace B in the basic reference by A |
| B | Aluminum cover. (standard) | See basic references |
| C | Plastic cover, black color. | Replace B in the basic reference by C |
| D | Plastic cover, clear. | Replace B in the basic reference by D |

