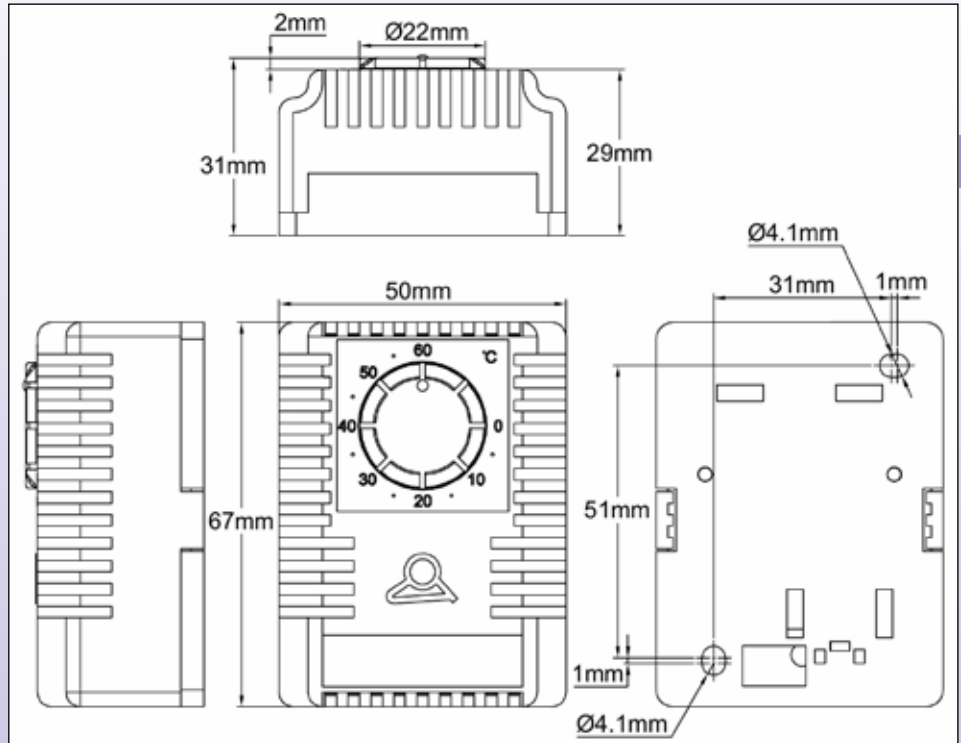


Y0 range - IP20 to IP44 enclosures and thermostatic controls

Miniature room temperature thermostats wall mounting, home appliance style, type Y02M

Because of permanent improvement of our products, drawings, descriptions, features used on these data sheets are for guidance only and can be modified without prior advice



Main use:

These models have been designed to control electrical equipment temperature. They are designed for wall mounting with 2 backside screws. Their SPDT contact allows their use to control a cabinet heater, a fan or a filter fan, or a cooling system.

Temperature ranges: -10+50°C (14+ 122°F) ; 0-60°C (32-140°F) ; 20+80°C (68-176°F)

Set point adjustment: screw driver knob, red color for open on rise models, blue color for close on rise models

Sensing element: bimetal

Contact type: snap-action contact, open or close on temperature rise, 10(2)A 250VAC, 15(2)A 120VAC

Electrical life: > 100 000 cycles at rated values

Contact resistance: < 10mOhm

Electrical connection: 4 screw terminals, for 1.5 mm² wires

Mounting: Clip for 35mm DIN rail (EN50022)

Casing: UL94 V0, PC-ABS, RAL 1010 light grey

Dimensions: 67 x 50 x 46 mm

Operating temperature range: -20 to +80°C

Ingress protection: IP30

Main references

°C		
Temperature range (°C)	Differential (°C)	References
-10+50°C	4°C±2°C	Y02MAC-10050114M
-10+20°C	4°C±2°C	Y02MAC-10020114M
+5+35°C	4°C±2°C	Y02MAC005035114M
0+60°C	4°C±2°C	Y02MAC000060114M
+20+80°C	4°C±2°C	Y02MAC020080114M

°F		
Temperature range (°F)	Differential (°F)	References
15-120°F	7±3°F	Y02MAC-10050114N
15-70°F	7±3°F	Y02MAC-10020114N
40-95°F	7±3°F	Y02MAC005035114N
30-140°F	7±3°F	Y02MAC000060114N
70-180°F	7±3°F	Y02MAC020080114N

Wiring diagram

