

Silicone boots for heating elements terminals output (1)

These caps and boots are designed to protect heating elements electrical terminals against accidental contact. When properly filled with a sufficiently fluid silicone resin or epoxy resin, they provide an ingress protection level up to IP67. They can be designed for heating elements diameter 6.5, 8, 8.5, 10, 12, 14, 16 mm, and wire gauges from 0.75 to 10 mm². 90° angled outputs allow a connection with an unprotected crimped ring terminal







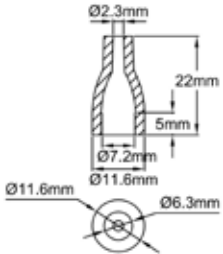
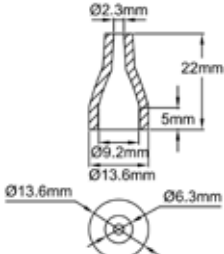
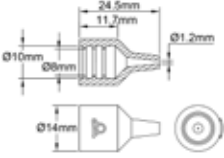
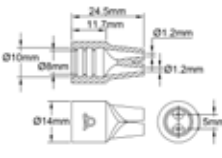
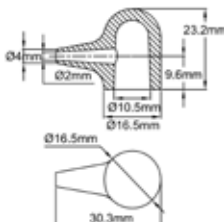
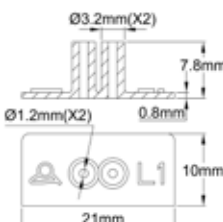
Flammability: UL 94-V0

Hardness: 60 Shore A

Color: black. Other colors available (MOQ apply)






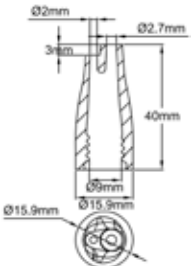
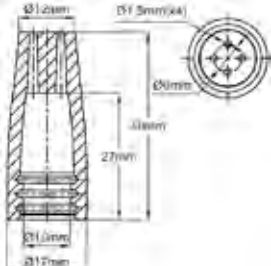
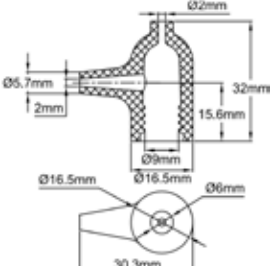
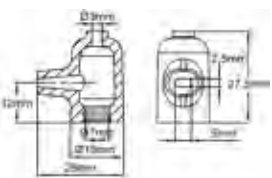
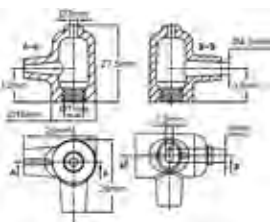
Accidental mechanical and electrical contacts protection caps

The optional filling of the cap with resin must be made after connecting the wire to the terminal and prior to its placement thereon. Resin filling on these models provides only an extra mechanical strength. Ingress protection level IP 64 to IP 67 cannot be achieved on these models.

9BBJO1000ELH056A	9BBJO1000ELH057A	9BBJO100000154A	9BBJO100000177A	9BBJO1000ELH012A	9BBJO1000SPH017A
					
					
Vertical output. For tubes dia. 8 to 10mm and wires dia. from 2.5 to 4.5mm	Vertical output. For tubes dia. 10 to 12mm and wires dia. from 2.5 to 4.5mm	Vertical output. For tubes dia. 9 to 11mm and wires or capillaries dia. from 1.5 to 3mm	Vertical output. For tubes dia. 9 to 11mm and 2 wires or capillaries dia. from 1.5 to 3mm	Side output. For tubes dia. 11 to 13mm and wires dia. from 2.2 to 4mm	Orthogonal wires output for flexible silicone heating elements. For 2 wires dia. 1.5 to 2 mm

Caps with syringe filling (1)

Resin filling is made after making the connection to the terminals of the heating element, and after fitting the cap. This system, when the filling is done correctly with a sufficiently fluid resin, provides an IP64 to IP65 ingress protection level.





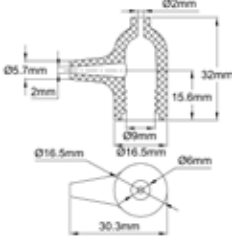
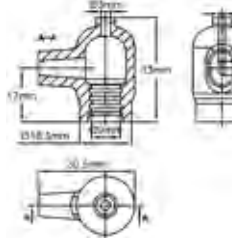
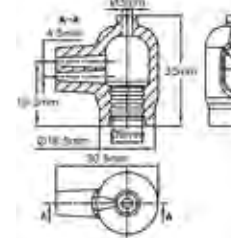
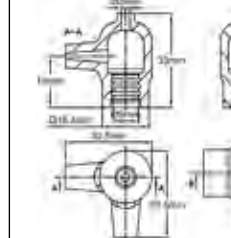
9BBJO1000004014A	9BBJO1000004034A	9BBJO1000ELH104A	9BBJO1000ELH105A	9BBJO1000ELH106A
				
				
One wire vertical output. For tubes dia. 11 to 13mm and wire dia. 2.2 to 4mm	2 or 3 wires vertical output. For tubes dia. 11 to 13mm and wire dia. 1.7 to 3.5mm. For simple heating element with jumper wire or cartridge heater	One wire side output. For tubes dia. 8 to 10mm and wire dia. 2.8 to 4.5mm.	2 wires side by side output. For tubes dia. 8 to 10mm and 2 wire dia. 2.8 to 3mm, or one wire dia. 4 to 6 mm, circular or flat. For simple heating element or cartridge heater	3 wires side output. For tubes dia. 8 to 10mm. - One output for 2 wire dia. 2.8 to 3mm, or one wire dia. 4 to 6 mm, circular or flat. - One output for wire dia. 5 to 7 mm For simple heating element or cartridge heater with temperature sensor

Because of permanent improvement of our products, drawings, descriptions, features used on these data sheets are for guidance only and can be modified without prior advice







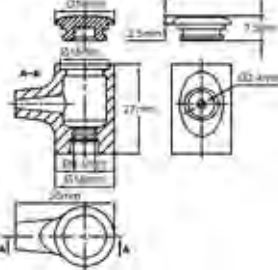
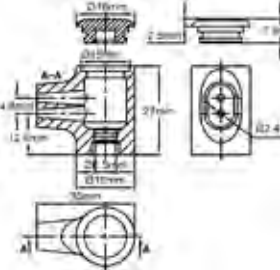
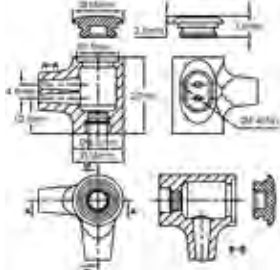
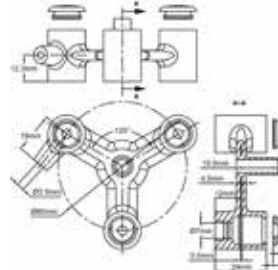
Silicone boots for heating elements terminals output (2)





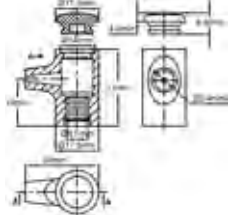
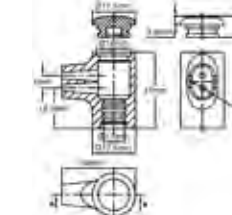
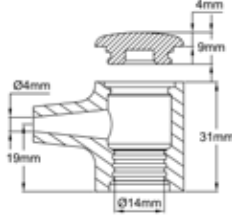
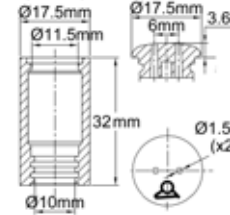
Caps with syringe filling (2)

9BBJO1000ELH113A	9BBJO1000ELH114A	9BBJO1000ELH117A	9BBJO1000ELH116A
			
			
Side output for tubes dia. 10 to 12mm and one wire dia. 2.2 to 4 mm	Side output for tubes dia. 10 to 12mm and 2 wire dia. 2.2 to 4 mm superimposed. For simple heating element or cartridge heater.	Side output for tubes dia. 10 to 12mm and 2 wire dia. 2.2 to 4 mm. For simple heating element or cartridge heater.	Two side output angled 90° for tubes dia. 10 to 12mm and 2 wire dia. 2.2 to 4.5mm. For simple heating element or cartridge heater.

Caps with removable cap, syringe filling or potting

Resin filling is made after making the wire connection to the heating element terminals, after fitting the cap and removed its cover. After filling and evacuation of any air bubbles, the cover is snapped on while the resin is still fluid. This system, when the filling is done correctly with a sufficiently fluid resin, provides an ingress protection level IP67.

9BBJO1000ELH118A + 9BBJO1000ELH121A	9BBJO1000ELH119A + 9BBJO1000ELH121A	9BBJO1000ELH120A + 9BBJO1000ELH121A	9BBJO1000ELH127A + 9BBJO1000ELH128A
			
			
Side output, for tubes dia. 8 to 10mm and one wire dia. 2.6 to 4.5 mm	Side output, for tubes dia. 8 to 10mm and two wire dia. 2.6 to 4.5 mm. For simple heating element with jumper wire or cartridge heater	2 side outputs angled 90°, for tubes dia. 8 to 10mm. - One output for two wire dia. 2.6 to 4.5 mm. - One output for wire dia. 5 to 7 mm For simple heating element with jumper wire or cartridge heater with temperature sensor	For tubes dia. 8 to 10mm. Neutral wire connection on star wired heating elements. Output on dia. 60mm diameter. One side output for wire dia. 4 to 6mm. Over-molded nickel plated jumper. Electrically insulated center hole for cover screw.

9BBJO1000ELH122A + 9BBJO1000ELH124A	9BBJO1000ELH123A + 9BBJO1000ELH124A	9BBJO100000179A + 9BBJO100000180A	9BBJO1000ELH149A + 9BBJO1000ELH150A
			
			
Side output for tubes dia. 10 to 12 mm and wire dia. 2.2 to 4 mm	Side output for tubes dia. 10 to 12 mm and 2 wires dia. 3 to 4 mm. For simple heating element with jumper wire or cartridge heater.	Side output for tubes dia. 15 to 16 mm and wires dia. 4.5 to 7 mm	Vertical output for tubes dia. 11 to 14 mm and 2 wires dia. 1.6 to to 2.5 mm. For simple heating element with jumper wire or cartridge heater.



Because of permanent improvement of our products, drawings, descriptions, features used on these data sheets are for guidance only and can be modified without prior advice