

Silicone boots and grommets for applications in heating equipment

Heat conductive silicone parts (Thermal bridges)

These parts, made in thermally conductive silicone are designed to transfer heat from a heating element to an electronic sensor, thermostat bulb, or bimetal. Their use limits the thermal overshoots.





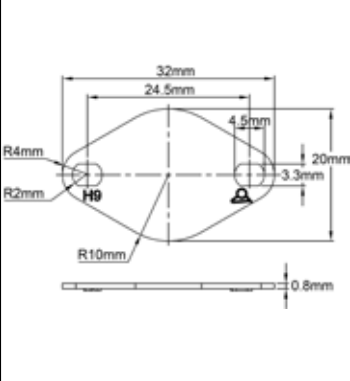
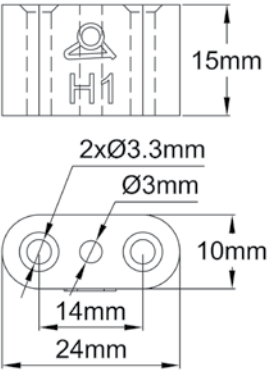
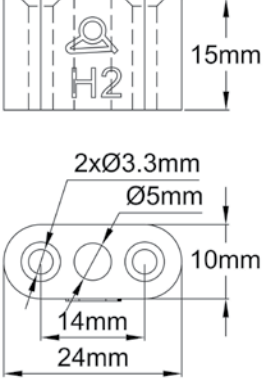
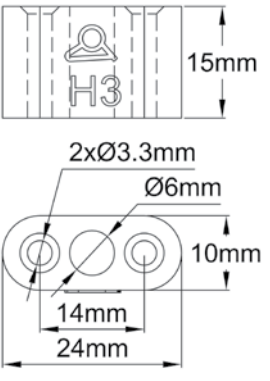
Flammability: UL94VO






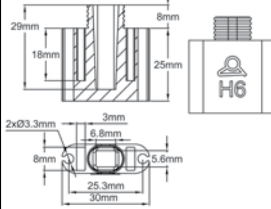
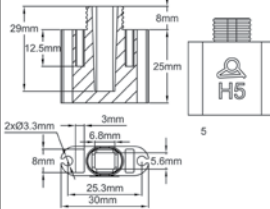
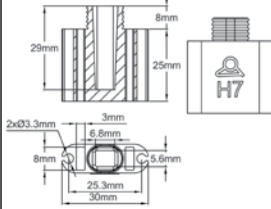
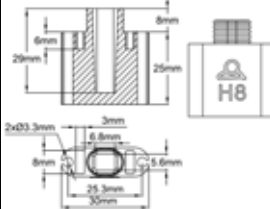
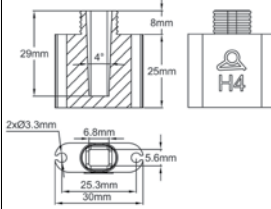
Held in temperature: 220 °C

Hardness Shore A: 80

Color: Grey

Thermal conductivity: 2.2W / m. °K

9BBJO1000000181A (H9)	9BBJO1000000161A (H1)	9BBJO1000000162A (H2)	9BBJO1000000163A (H3)
			
			
Thermal bridge for ½" thermostat, sandwiched between thermostat and mounting board	Dia. 3.1 to 3.3mm heating wires thermal bridge, dia. 3 mm temperature sensor	Dia. 3.1 to 3.3mm heating wires thermal bridge, dia. 5 mm temperature sensor	Dia. 3.1 to 3.3mm heating wires thermal bridge, dia. 6 mm temperature sensor

9BBJO1000000171A (H7)	9BBJO1000000172A (H6)	9BBJO1000000173A (H5)	9BBJO1000000174A (H8)	9BBJO1000000178A (H4)
				
				
Dia. 3.1 to 3.3mm heating wires thermal bridge, 6.8x5.6mm thermostat or temperature sensor Minimum heat transfer	Dia. 3.1 to 3.3mm heating wires thermal bridge, 6.8x5.6mm thermostat or temperature sensor 3/4 heat transfer	Dia. 3.1 to 3.3mm heating wires thermal bridge, 6.8x5.6mm thermostat or temperature sensor 1/2 heat transfer	Dia. 3.1 to 3.3mm heating wires thermal bridge, 6.8x5.6mm thermostat or temperature sensor 1/4 heat transfer	Dia. 3.1 to 3.3mm heating wires thermal bridge, 6.8x5.6mm thermostat or temperature sensor Full heat transfer.

Because of permanent improvement of our products, drawings, descriptions, features used on these data sheets are for guidance only and can be modified without prior advice

