




Fittings and threaded accessories for immersion heaters


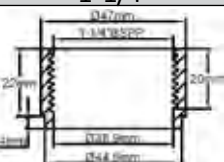
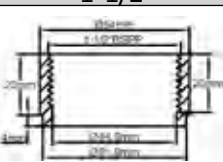
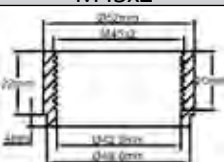
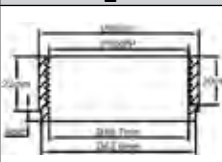
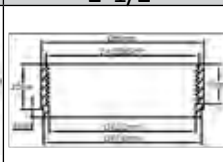
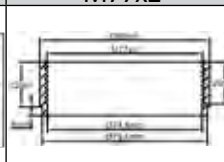
Accessories

Fitting nuts

304 Stainless steel nut			316 Stainless steel nut*			Brass nut thickness 8mm		
								
Size	On flat	Reference	Size	On flat	Reference	Size	On flat	Reference
1"1/4	50	9BBRA3000ELH032A	1"1/4	50	9BBRA3000ELH202A	1"1/4	50	9BBRA3000ELH302A
1"1/2	52	9BBRA3000ELH006A	1"1/2	52	9BBRA3000ELH203A	1"1/2	52	9BBRA3000ELH303A
M45x2	52	9BBRA3000ELH049A	M45x2	52	9BBRA3000ELH205A	M45x2	52	9BBRA3000ELH305A
2"	65	9BBRA3000ELH048A	2"	65	9BBRA3000ELH204A	2"	65	9BBRA3000ELH304A
2"1/2	85	9BBRA3000ELH142A	2"1/2	85	9BBRA3000ELH214A	2"1/2	85	9BBRA3000ELH314A
M77x2	85	9BBRA3000ELH050A	M77x2	85	9BBRA3000ELH206A	M77x2	85	9BBRA3000ELH306A

* 316 made on order only

304L* fitting for tank. Can be brazed or welded

					
1"1/4	1"1/2	M45x2	2"	2"1/2	M77x2
					

* Made on order only. Can also be made in 316L

Fitting gaskets

Fiber gasket (Without abestos) 2 mm thickness			O-ring NBR gasket dia 4 mm, 70 shore A			PTFE gasket 2 mm thickness		
								
Size	Dia. (OD, ID)	Reference	Size	Dia. (OD, ID)	Reference	Size	Dia. (OD, ID)	Reference
1"1/4	40x62	9BRJ03000ELH052A	1"1/4	40x62	9BRJ03000ELH206A	1"1/4	40x48	9BRJ03000ELH032A
1"1/2-M45x2	44x62	9BRJ03000ELH007A	1"1/2-M45x2	44x62	9BRJ03000ELH205A	1"1/2-M45x2	44x52	9BRJ03000ELH033A
2"	58x76	9BRJ03000ELH028A	2"	58x76	9BRJ03000ELH203A	2"	58x66	9BRJ03000ELH034A
2"1/2-M77x2	74x95	9BRJ03000ELH030A	2"1/2-M77x2	74x95	9BRJ03000ELH201A	2"1/2-M77x2	74x82	9BRJ03000ELH036A

Because of permanent improvement of our products, drawings, descriptions, features used on these data sheets are for guidance only and can be modified without prior advice

Fittings and threaded accessories for immersion heaters

Fitting to enclosure gaskets (Silicone, 60 Shore A)

For dia. 50mm drill (1"1/4, 1"1/2, M45x2)	For dia. 60mm drill (2")	For dia. 77mm drill (2"1/2 and M77x2)	For dia. 50mm drill and 1"1/2 or M45 stainless steel fitting
Reference 9BRJO1000ELH204A	Reference 9BRJO1000ELH202A	Reference 9BRJO1000ELH200A	Reference 9BRJO1000ELH207A

Rotation rings

For dia. 50mm drill (1"1/4, 1"1/2, M45x2) Brass and stainless steel fittings	For dia. 60mm drill (2")	For dia. 77mm drill (2"1/2 and M77x2)
Reference 9BBVR1000ELH005A	Reference 9BBVR1000ELH006A	Reference 9BBVR1000ELH007A

Ground terminals (earthing terminals)

M4 terminal, including nickel plated screw, one M4 screw one saddle and 2 x dented washers in stainless steel. For use with 1"1/2 and M45 stainless steel fittings and 1"1/4, 1"1/2, M45, 2" brass fittings	M5 terminal, including nickel plated screw one M4 screw one saddle and 2 x dented washers in stainless steel. For use with 1"1/2 and M45 stainless steel fittings and 1"1/4, 1"1/2, M45, 2" brass fittings
Reference 9BBS10COELH010A	Reference 9BBS10COELH011A

Ceramic spacers

For M3 terminal and dia. 6.5 or 8 mm heating element	For M3.5 terminal and dia. 6.5 or 8 mm heating element	For M4 terminal and dia. 6.5 or 8 mm heating element	For M4 terminal and dia. 10 mm heating element
Reference 9BRST3000ELH023A	Reference 9BRST3000ELH024A	Reference 9BRST3000ELH025A	Reference 9BRST3000ELH026A

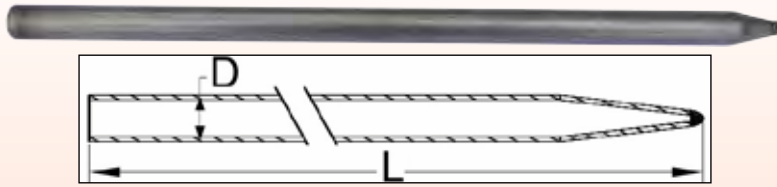
Internal diameter must be selected to fit the heating element terminal output diameter



Because of permanent improvement of our products, drawings, descriptions, features used on these data sheets are for guidance only and can be modified without prior advice

Fittings and threaded accessories for immersion heaters

One end closed SUS 304L or 316L pocket tubes



Tip: TIG welded conical shrinking, leak test made at 100%

Diameter: 8 x 7 mm, compatible with stainless steel fittings

Special length or other diameter: On request (MOQ apply)

Option: can be factory welded on bottom plates of stainless steel fittings. References on request.

Raw material	Full length (L)						
	Dia. (D) mm	100 mm	200 mm	300 mm	400 mm	500 mm	600 mm
304L	8x7	66DI000805010000	66DI000805020000	66DI000805030000	66DI000805040000	66DI000805050000	66DI000805060000
316L	8x7	66DG000805010000	66DG000805020000	66DG000805030000	66DG000805040000	66DG000805050000	66DG000805060000

Because of permanent improvement of our products, drawings, descriptions, features used on these data sheets are for guidance only and can be modified without prior advice

