




# Fittings and threaded accessories for immersion heaters


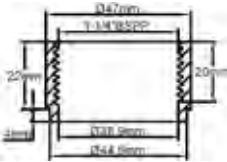
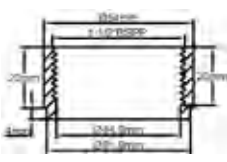
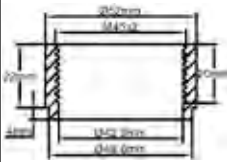
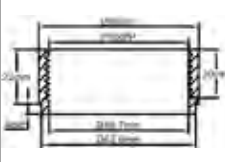
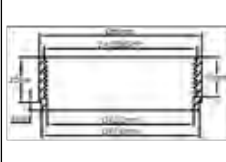
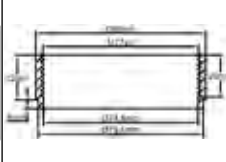
## Accessories

### Fitting nuts

304 Stainless steel nut			316 Stainless steel nut*			Brass nut thickness 8mm		
								
Size	On flat	Reference	Size	On flat	Reference	Size	On flat	Reference
1"1/4	50	9BBRA3000ELH032A	1"1/4	50	9BBRA3000ELH202A	1"1/4	50	9BBRA3000ELH302A
1"1/2	52	9BBRA3000ELH006A	1"1/2	52	9BBRA3000ELH203A	1"1/2	52	9BBRA3000ELH303A
M45x2	52	9BBRA3000ELH049A	M45x2	52	9BBRA3000ELH205A	M45x2	52	9BBRA3000ELH305A
2"	65	9BBRA3000ELH048A	2"	65	9BBRA3000ELH204A	2"	65	9BBRA3000ELH304A
2"1/2	85	9BBRA3000ELH142A	2"1/2	85	9BBRA3000ELH214A	2"1/2	85	9BBRA3000ELH314A
M77x2	85	9BBRA3000ELH050A	M77x2	85	9BBRA3000ELH206A	M77x2	85	9BBRA3000ELH306A

\* 316 made on order only

### 304L\* fitting for tank. Can be brazed or welded

					
1"1/4	1"1/2	M45x2	2"	2"1/2	M77x2
					

\* Made on order only. Can also be made in 316L

### Fitting gaskets

Fiber gasket (Without abestos) 2 mm thickness			O-ring NBR gasket dia 4 mm, 70 shore A			PTFE gasket 2 mm thickness		
								
Size	Dia. (OD, ID)	Reference	Size	Dia. (OD, ID)	Reference	Size	Dia. (OD, ID)	Reference
1"1/4	40x62	9BRJ03000ELH052A	1"1/4	40x62	9BRJ03000ELH206A	1"1/4	40x48	9BRJ03000ELH032A
1"1/2-M45x2	44x62	9BRJ03000ELH007A	1"1/2-M45x2	44x62	9BRJ03000ELH205A	1"1/2-M45x2	44x52	9BRJ03000ELH033A
2"	58x76	9BRJ03000ELH028A	2"	58x76	9BRJ03000ELH203A	2"	58x66	9BRJ03000ELH034A
2"1/2-M77x2	74x95	9BRJ03000ELH030A	2"1/2-M77x2	74x95	9BRJ03000ELH201A	2"1/2-M77x2	74x82	9BRJ03000ELH036A

Because of permanent improvement of our products, drawings, descriptions, features used on these data sheets are for guidance only and can be modified without prior advice

