

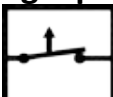

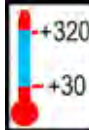
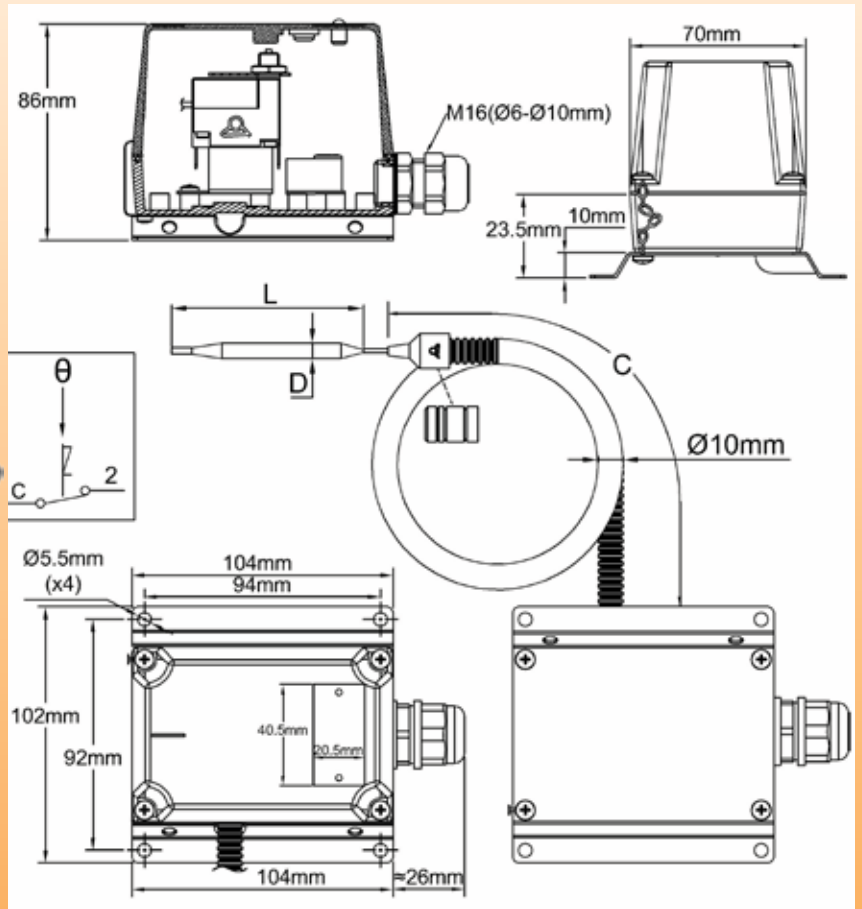


The Y1 range of thermostats with IP65 enclosures

Bulb and capillary thermostats (Liquid expansion measurement)

Type	Reset	Contact	Measurement	Range °C	Model
Manual reset 	Inside, sealed setting 	Single pole 	Remote 		Y1K Limiter 8L



Applications:

- Remote control in usual industrial application and environment, not hazardous areas, for use as **high limit safety**.

- **Sealed temperature set point**

- **Internal access is convenient for products that must not be frequently reset.**

Standard electrical and mechanical life model

Housing: Aluminum, IP65, IK10, 104 x 102 x 86 mm. Mounted on a SUS304 stainless steel wall mounting plate. Grey RAL7032 epoxy painting

Set point calibration value: 80±8°C (176±15°F), 90±8°C (194±15°F), 110±8°C (230±15°F), 130±8°C (266±15°F), 150±8°C (302±15°F), 175±8°C (347±15°F), 220±11°C (428±20°F), 270±13°C (518±23°F), 300±15°C (572±27°F). Other calibration temperature on request, between 30°C and 320°C (85°F and 610°F)

Temperature adjustment: fixed setting, sealed, no access to user.

Action: fail safe manual reset high temperature limit.

Sensing element: Liquid expansion bulb and capillary. The capillary is protected by a stainless steel corrugated pipe terminated by a silicone tip. A plastic cap plug provided as standard accessory allows locking the flexible metal conduit inside a pocket (See pockets in the accessories section)

Electrical connections: Inside, on screw terminal connection block

Earthing: on internal screw terminal

Cable output: M16 cable gland, PA66, for cables up to 10 mm dia.

Mounting: Wall mounting, by 4 holes for screws dia. 4 to 5 mm, 94 x 92 mm distance

Identification: 20 x 40 mm stainless steel identification label, riveted.

Contact: Single pole, open on rise (SPNC)

Electrical rating: 16A res. 250/400VAC

- Electrical life >6.000 cycles.

Minimum Storage temperature: -35°C (-30°F)





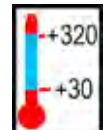
Main references

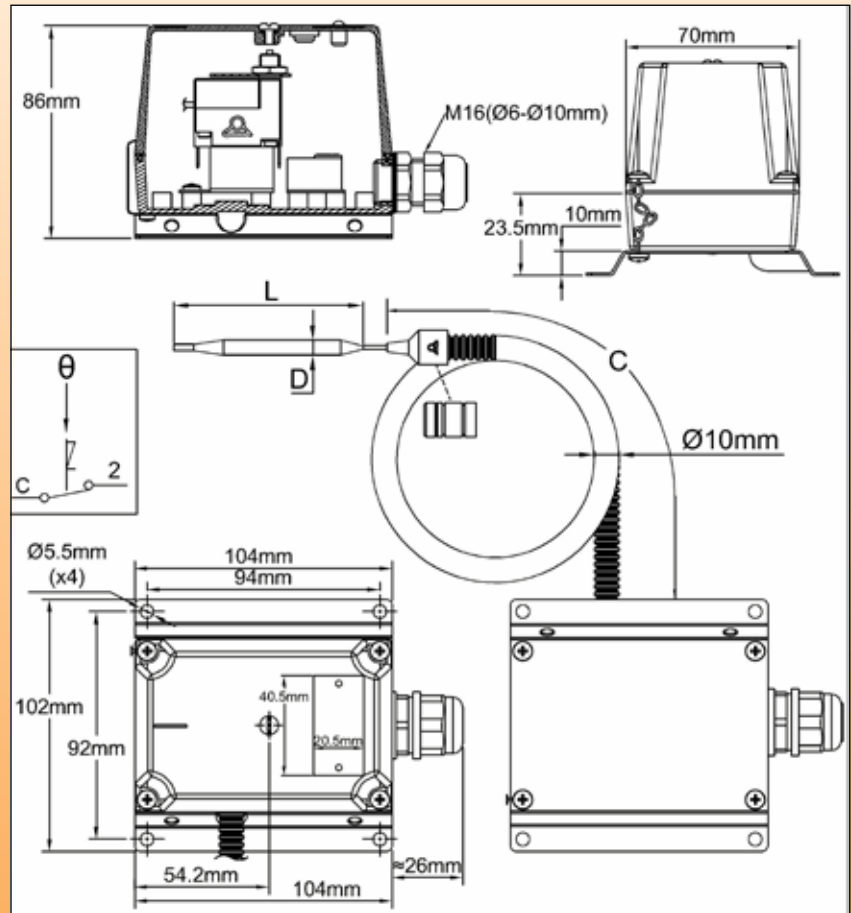
Reference	Calibration temperature °C (°F)	Minimum resettable temperature °C (°F)	Capillary length (mm)	Bulb diameter (mm)	Bulb length (mm)	Max temperature on bulb °C (°F)
Y1K8L0080105AO6G	80±8°C (176±15°F)	52°C (126°F)	1500	6	77	105°C (221°F)
Y1K8L0090115AO6G	90±8°C (194±15°F)	60°C (140°F)	1500	6	77	115°C (239°F)
Y1K8L0110135AO6G	110±8°C (230±15°F)	75°C (167°F)	1500	6	77	135°C (275°F)
Y1K8L0130155AO6G	130±8°C (266±15°F)	80°C (176°F)	1500	6	74	155°C (311°F)
Y1K8L0150175AO6G	150±8°C (302±15°F)	95°C (203°F)	1500	6	74	175°C (347°F)
Y1K8L0175200AO4G	175±8°C (347±15°F)	115°C (239°F)	1500	4	95	200°C (392°F)
Y1K8L0220245AO4G	220±11°C (428±20°F)	140°C (284°F)	1500	4	90	245°C (473°F)
Y1K8L0270295AO4G	270±13°C (518±23°F)	160°C (320°F)	1500	4	85	295°C (563°F)
Y1K8L0300325AO4G	300±15°C (572±27°F)	160°C (320°F)	1500	4	82	325°C (617°F)



The Y1 range of thermostats with IP65 enclosures

Bulb and capillary thermostats (Liquid expansion measurement)

Type	Reset	Contact	Measurement	Range °C	Model
Manual reset 	Screwed cap, sealed setting 	Single pole 	Remote 		Y1L Limiter 8L



Applications:

- Remote control in usual industrial application and environment, not hazardous areas, for use as **high limit safety**.
- **Sealed temperature set point**
- **M4 Screw cap access is convenient for reset without need to open the enclosure.**

Standard electrical and mechanical life model

Housing: Aluminum, IP65, IK10, 104 x 102 x 86 mm. Mounted on a SUS304 stainless steel wall mounting plate. Grey RAL7032 epoxy painting

Set point calibration value: 80±8°C (176±15°F), 90±8°C (194±15°F), 110±8°C (230±15°F), 130±8°C (266±15°F), 150±8°C (302±15°F), 175±8°C (347±15°F), 220±11°C (428±20°F), 270±13°C (518±23°F), 300±15°C (572±27°F). Other calibration temperature on request, between 30°C and 320°C (85°F and 610°F)

Temperature adjustment: fixed setting, sealed, no access to user.

Action: fail safe manual reset high temperature limit.

Sensing element: Liquid expansion bulb and capillary. The capillary is protected by a stainless steel corrugated pipe terminated by a silicone tip. A plastic cap plug provided as standard accessory allows locking the flexible metal conduit inside a pocket (See pockets in the accessories section)

Electrical connections: Inside, on screw terminal connection block

Earthing: on internal screw terminal

Cable output: M16 cable gland, PA66, for cables up to 10 mm dia.

Mounting: Wall mounting, by 4 holes for screws dia. 4 to 5 mm, 94 x 92 mm distance

Identification: 20 x 40 mm stainless steel identification label, riveted.

Contact: Single pole, open on rise (SPNC)

Electrical rating: 16A res. 250/400VAC

- Electrical life >6.000 cycles.

Minimum Storage temperature: -35°C (-30°F)

Main references




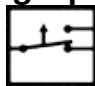

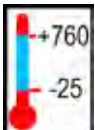
Reference	Calibration temperature °C (°F)	Minimum resettable temperature °C (°F)	Capillary length (mm)	Bulb diameter (mm)	Bulb length (mm)	Max temperature on bulb °C (°F)
Y1L8L0080105AO6G	80±8°C (176±15°F)	52°C (126°F)	1500	6	77	105°C (221°F)
Y1L8L0090115AO6G	90±8°C (194±15°F)	60°C (140°F)	1500	6	77	115°C (239°F)
Y1L8L0110135AO6G	110±8°C (230±15°F)	75°C (167°F)	1500	6	77	135°C (275°F)
Y1L8L0130155AO6G	130±8°C (266±15°F)	80°C (176°F)	1500	6	74	155°C (311°F)
Y1L8L0150175AO6G	150±8°C (302±15°F)	95°C (203°F)	1500	6	74	175°C (347°F)
Y1L8L0175200AO4G	175±8°C (347±15°F)	115°C (239°F)	1500	4	95	200°C (392°F)
Y1L8L0220245AO4G	220±11°C (428±20°F)	140°C (284°F)	1500	4	90	245°C (473°F)
Y1L8L0270295AO4G	270±13°C (518±23°F)	160°C (320°F)	1500	4	85	295°C (563°F)
Y1L8L0300325AO4G	300±15°C (572±27°F)	160°C (320°F)	1500	4	82	325°C (617°F)

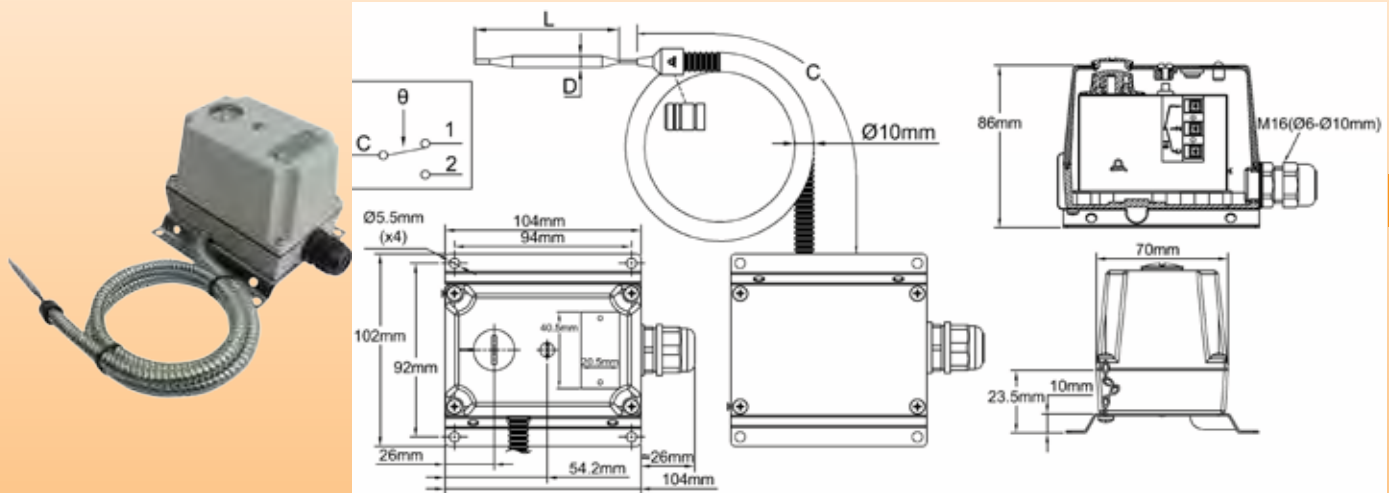
Because of permanent improvement of our products, drawings, descriptions, features used on these data sheets are for guidance only and can be modified without prior advice



The Y1 range of thermostats with IP65 enclosures

Bulb and capillary thermostats (Liquid expansion measurement)

Type	Set point adjustment	Manual reset access	Contact	Measurement	Range °C	Model					
Manual reset 	Screwed cap 	Screwed cap 	Single pole 	Remote 		Y1N					
						Adjustable limiter					
						KX					



Applications:

- Remote control in usual industrial application and environment, not hazardous areas, for use as **high limit safety**.
- **Changeover contact for switch off remote signaling**
- **Internal adjustment under screwed cap is convenient for products that must be occasionally adjusted.**
- **Manual reset with internal access under M4 screwed cap allows to reset without need to open the enclosure.**

Withstand very low ambient temperatures

Long electrical and mechanical life model

Housing: Aluminum, IP65, IK10, 104 x 102 x 86 mm. Mounted on a SUS304 stainless steel wall mounting plate. Grey RAL7032 epoxy painting

Set point adjustment ranges: -25+25°C (-15+80°F), -10+15°C (15-60°F), 0-50°C (32-120°F), 0-70°C (32-160°F), 20-90°C (70-195°F), 10-150°C (50-300°F), 80-200°C (175-390°F), 50-300°C (120-570°F), 10-450°C (50-840°F), 60-500°C (140-930°F), 180-600°C (360-1110°F), 280-700°C (540-1290°F).

Temperature adjustment: Set point adjustable by temperature printed **internal knob**. Shipped with °C printed skirt fitted on the knob, and °F printed skirt in spare part. Printed skirt is replaceable without tool.

Action: High limit with manual reset

Sensing element: Liquid expansion bulb and capillary. The capillary is protected by a stainless steel corrugated pipe terminated by a silicone tip. A plastic cap plug provided as standard accessory allows locking the flexible metal conduit inside a pocket (See pockets in the accessories section)

Electrical connections: Internal, on screw terminal connection block

Earthing: on internal screw terminal

Cable output: M16 cable gland, PA66, for cables up to 10 mm dia.

Mounting: Wall mounting, by 4 holes for screws dia. 4 to 5 mm, 94 x 92 mm distance

Identification: 20 x 40 mm stainless steel identification label, riveted.

Contact: SPDT

Rating: 15A res. 230/400VAC, electrical life >100.000 cycles.

Storage minimum temperature: -50°C (-60°F)

Fail safe: some of these products can be made with fail safe manual reset. References on request




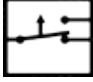

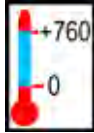
Main references

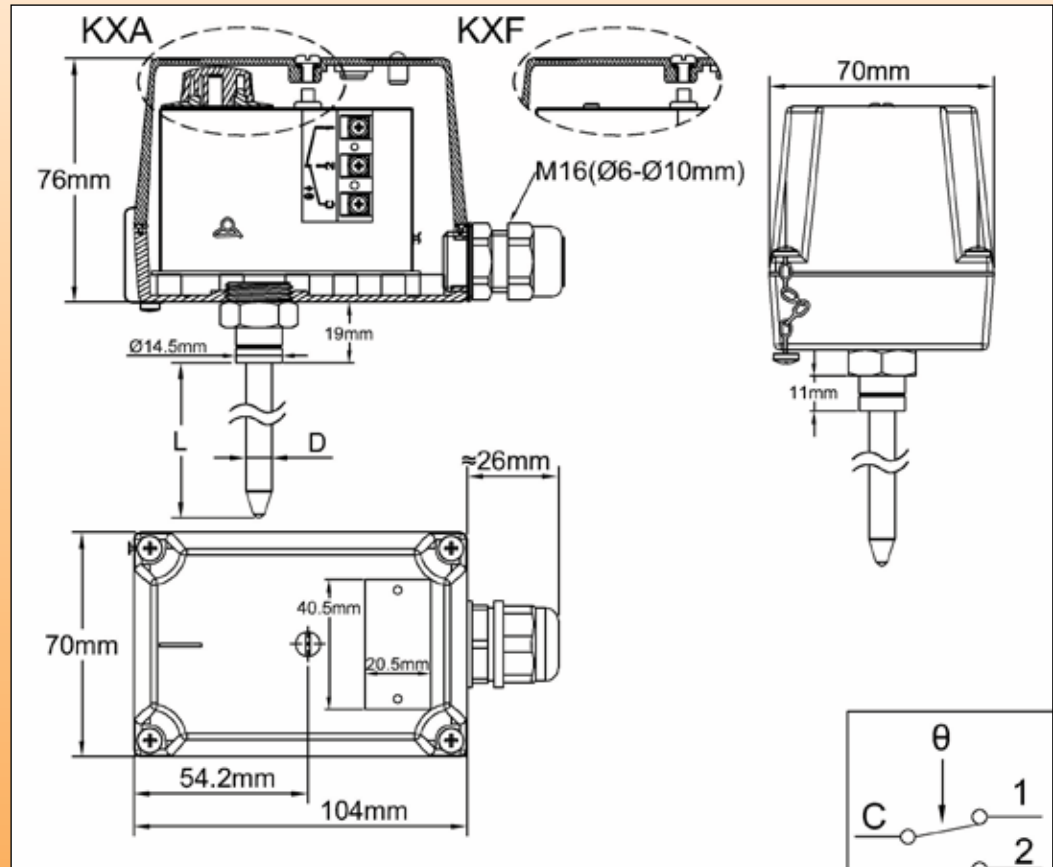
Temperature adjustment ranges °C (°F)	References	Differential °C (°F)	Capillary length (C, mm)	Bulb diameter (D, mm)	Bulb length (E, mm)	Max. temperature on bulb °C (°F)
-25+25°C(-15+80°F)	Y1NKXA-25025220G	6°C (11 °F)	1500	6.4	152	50°C (120°F)
-10+15°C(15-60°F)	Y1NKXA-10015220G	6°C (11 °F)	1500	6.4	152	50°C (120°F)
0-50°C (32-120°F)	Y1NKXA000050200G	6°C (11 °F)	1500	6.4	152	60°C (140°F)
0-70°C (32-160°F)	Y1NKXA000070520G	15°C (27°F)	1500	4.8	130	160°C (320°F)
0-70°C (32-160°F)	Y1NKXA000070120G	15°C (27°F)	3000	4.8	130	160°C (320°F)
20-90°C (70-195°F)	Y1NKXA020090500G	15°C (27°F)	1500	4.8	130	160°C (320°F)
20-90°C (70-195°F)	Y1NKXA020090100G	15°C (27°F)	3000	4.8	130	160°C (320°F)
10-150°C (50-300°F)	Y1NKXA010150500G	15°C (27°F)	1500	4.8	130	160°C (320°F)
10-150°C (50-300°F)	Y1NKXA010150100G	15°C (27°F)	3000	4.8	130	160°C (320°F)
80-200°C (175-390°F)	Y1NKXA080200010G	30°C (54°F)	1500	4	100	320°C (610°F)
50-300°C (120-570°F)	Y1NKXA050300010G	30°C (54°F)	1500	4	100	320°C (610°F)
10-450°C (50-840°F)	Y1NKXA010450700G	60°C (108°F)	1500	4.8	120	760°C (1400°F)
10-450°C (50-840°F)	Y1NKXA010450900G	60°C (108°F)	3000	4.8	120	760°C (1400°F)
60-500°C(140-930°F)	Y1NKXA060500700G	60°C (108°F)	1500	4.8	120	760°C (1400°F)
60-500°C(140-930°F)	Y1NKXA060500900G	60°C (108°F)	3000	4.8	120	760°C (1400°F)
180-600°C (360-1110°F)	Y1NKXA180600700G	60°C (108°F)	1500	4.8	120	760°C (1400°F)
180-600°C (360-1110°F)	Y1NKXA180600900G	60°C (108°F)	3000	4.8	120	760°C (1400°F)
280-700°C (540-1290°F)	Y1NKXA280700800G	60°C (108°F)	1500	3	300	760°C (1400°F)



The Y1 range of thermostats with IP65 enclosures

Adjustable high limit rod thermostats (Liquid expansion measurement)

Type	Set point adjustment	Manual reset access	Contact	Measurement	Range °C	Model
Manual reset 	Internal 	Screwed cap 	Single pole 	Rod 		Y1W Adjustable limiter KXA, KXF



Applications:

- Remote control in usual industrial application and environment, not hazardous areas, for use as **high limit safety**.
- **Changeover contact for switch off remote signaling**
- **Manual reset with internal access under M4 screwed cap allows to reset without need to open the enclosure.**
- Exist with adjustable set point or with fixed and sealed setting without access for user
- **Internal adjustment is convenient for products that must not be frequently adjusted.**

Withstand very low ambient temperatures
Long electrical and mechanical life model

Housing: Aluminum, IP65, IK10, 104 x 102 x 86 mm. Mounted on a SUS304 stainless steel wall mounting plate. Grey RAL7032 epoxy painting

Set point adjustment ranges: 0-50°C (32-120°F), 0-70°C (32-160°F), 20-90°C (70-195°F), 10-150°C (50-300°F), 80-200°C (175-390°F), 50-300°C (120-570°F), 10-450°C (50-840°F), 60-500°C (140-930°F), 180-600°C (360-1110°F), 280-700°C (540-1290°F), or fixed setting between 0 and +760°C (+32+1400°F)

Temperature adjustment: Set point adjustable by temperature printed **internal knob**. Shipped with °C printed skirt fitted on the knob, and °F printed skirt in spare part. Printed skirt is replaceable without tool.

Fixed sealed setting model does not have knob.

Action: High limit with manual reset

Sensing element: Liquid expansion rod. This rod has a non-temperature sensing zone named dead zone which allows thermal insulation crossing. An increased diameter under the thermostat head allows mounting pockets or brackets (See pockets in the accessories section)

Electrical connections: Internal, on screw terminal connection block

Earthing: on internal screw terminal

Cable output: M16 cable gland, PA66, for cables up to 10 mm dia.

Mounting: On pockets for liquid immersion or brackets for air ducts

Identification: 20 x 40 mm stainless steel identification label, riveted.

Contact: SPDT

Rating: 15A res. 230/400VAC, electrical life >100.000 cycles.

Storage minimum temperature: -50°C (-60°F)

Fail safe: some of these products can be made with fail safe manual reset. References on request

