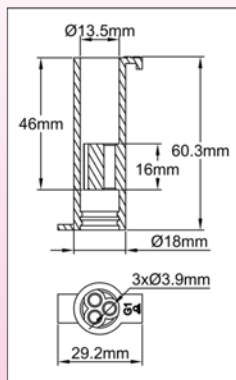
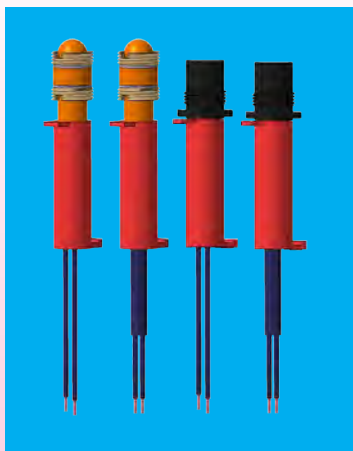


# Connection systems for heating cables with silicone filling

## Silicone connection sleeve, type G, for accessories with dia 14 mm tip.



Used to connect two or three conductors or a cable on :

- Anti-freeze thermostat
- Surface mount thermostat
- End Of Line indicator light
- Pt100 sensor
- NTC sensor

When the filling is done according to installation instructions, it provides an IP65 sealing.

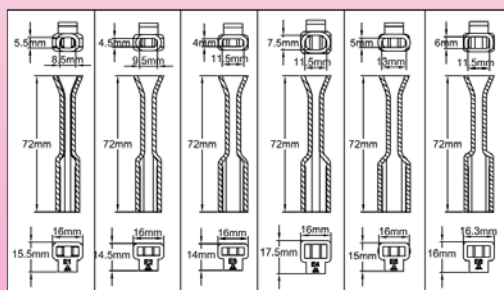
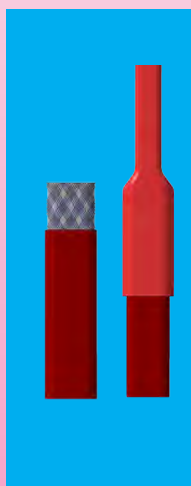
After crimping the conductors, fits with a light grip on the 14 mm diameter cylindrical parts of the accessories.

It has a holding tab for filling and a pulling tab to drag it in and internal guidelines that maintain a constant distance between connections when filling.

Average volume of silicon needed for filling: 5 ml (5 cm<sup>3</sup>).

Reference	6YTNG1M14000060
Packaging:	10 pieces bag

## Silicone sleeves type E, for self regulating heating cable end or constant power cable, or two conductors series cable.

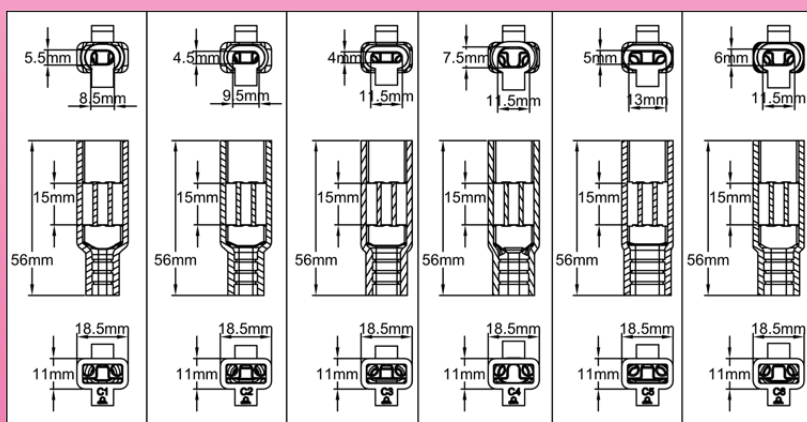
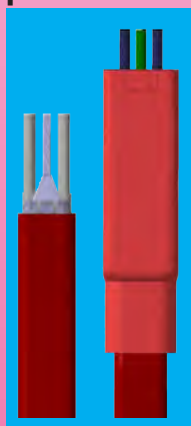


Reference	N°	Hole	Cable gauge
6YTNE1M085055072	E1	8.5 x 5.5	9 x 6 to 9.5 x 6.5
6YTNE2M095045072	E2	9.5 x 4.5	10 x 5 to 10.5 x 5.5
6YTNE3M115040072	E3	11.5 x 4	12 x 4.5 to 12.5 x 5
6YTNE4M115075072	E4	11.5 x 7.5	12 x 8 to 12.5 x 8.5
6YTNE5M130050072	E5	13 x 5	13.5 x 5.5 to 14 x 6
6YTNE6M115060072	E6	11.5 x 6	12 x 6 to 12.5 x 7

Slip by pressing lightly on the unconnected ends of heating cables. When the filling is done according to installation instructions, they provide an IP65 sealing. Include a funnel for easy RTV filling and a holding tab for filling. The square section allows pipe mounting with a wireclamp or clamp. These sleeves can possibly be cut in the middle after polymerization. Average volume of silicone needed for filling: 1.4 ml

Packaging: 10 pieces bag

## Silicone connection sleeve type C for constant power heating cable parallel or self-regulating with protective and grounding metal braid.



They allow the connection of heating cables on non-heating conventional conductors. When the assembly and filling are performed according to installation instructions, they provide an IP65 seal.

Composed of a silicone sleeve adapted to heating cables, 3 x AWG15 wires (1.5 mm<sup>2</sup>) FEP insulated 300V, 300mm length (diameter 2.4 mm), equipped with a cable shoe and a tubular crimp terminal. The connection to the control boxes is made with the M20x1.5 accessories with 2.4mm holes.

Average volume of silicone needed for filling: 1.6 ml

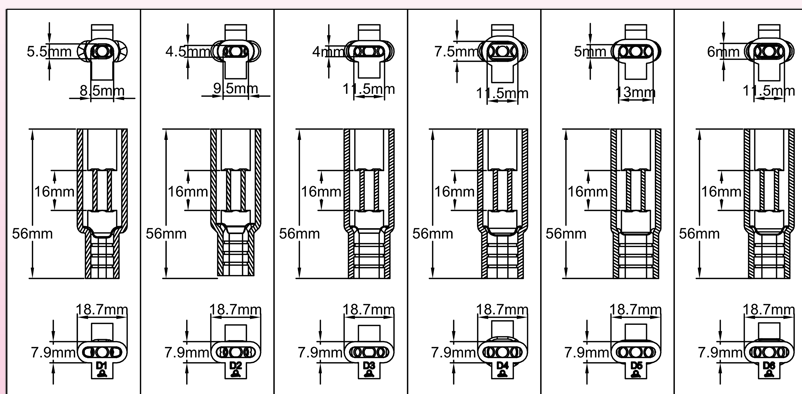
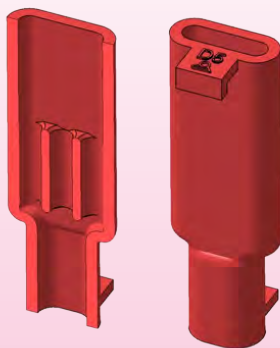
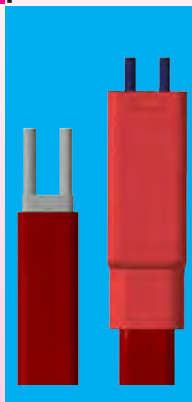
Packaging: 10 pieces bag

Reference	N°	Hole	Cable gauge
6YTNC13085055056	C1	8.5 x 5.5	9 x 6 to 9.5 x 6.5
6YTNC23095045056	C2	9.5 x 4.5	10 x 5 to 10.5 x 5.5
6YTNC33115040056	C3	11.5 x 4	12 x 4.5 to 12.5 x 5
6YTNC43115075056	C4	11.5 x 7.5	12 x 8 to 12.5 x 8.5
6YTNC53130050056	C5	13 x 5	13.5 x 5.5 to 14 x 6
6YTNC63115060056	C6	11.5 x 6	12 x 6 to 12.5 x 7



# Connection systems for heating cables with silicone filling

**Silicone connection sleeve type D for constant power heating cable parallel or self-regulating *without* protective and grounding metal braid.**



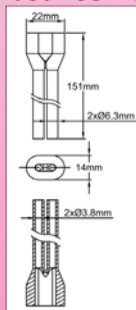
They allow the connection of heating cables on non-heating conventional conductors. When the assembly and filling are performed according to installation instructions, they provide an IP65 seal. Used with AWG15 wires (1.5 mm<sup>2</sup>) FEP insulated 300V, 300mm length (diameter 2.4 mm), equipped with a cable shoe and a tubular crimp terminal. After crimping non-heating wires, the connection to the control box is made with the M20x1.5 accessories with 2.4mm holes.

Average volume of silicone needed for filling: 1 ml

Reference	N°	Hole	Cable gauge
6YTND12085055056	D1	8.5 x 5.5	9 x 6 to 9.5 x 6.5
6YTND22095045056	D2	9.5 x 4.5	10 x 5 to 10.5 x 5.5
6YTND32115040056	D3	11.5 x 4	12 x 4.5 to 12.5 x 5
6YTND42115075056	D4	11.5 x 7.5	12 x 8 to 12.5 x 8.5
6YTND52130050056	D5	13 x 5	13.5 x 5.5 to 14 x 6
6YTND62115060056	D6	11.5 x 6	12 x 6 to 12.5 x 7

Packaging: 10 pieces bag

**Silicone connection sleeve type B for constant power or self-regulating heating cable, *without* non-heating patch, of which heating part between both conductors has been cut off.**



Mounted on conductors of self-regulating cables which sleeve has been removed.

Wire crossing diameter: 4.3 mm

Oblong crossing gauge: 12 x 4 mm

Total length: 150 mm

Mounting: It is recommended to fill the sleeve with liquid silicone before putting it on the conductors. The possible metal braid must be twisted and is not inserted into the sleeve. Requires the use of cable gland packings with two or three slots. Sealing not guaranteed.

Average volume of silicone needed for filling: 1.4 ml

Reference	6YTNB12120040150
-----------	------------------

Packaging: 10 pieces bag

## Specific accessories for silicone filling

### The filling silicone



Silicone Vulcanizing at room temperature. Very smooth, fills the caps well and without bubbles. Comes with a special nozzle that directs the liquid silicone in the desired location without spilling.

Color: red

Packaging: 45 ml tube.

Temperature resistance: 280°C.

Vulcanization time at room temperature: 12 to 24 hours depending on thickness

Vulcanized hardness: 35 Shore A

Volume resistivity: 4\*10<sup>15</sup> ohms/cm.

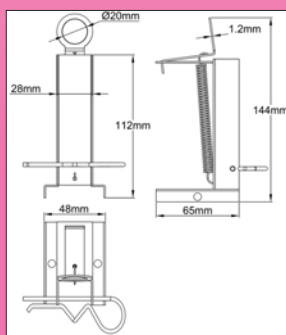
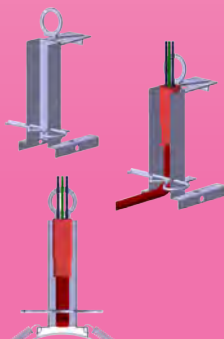
Displacement: 150%.

Breakdown voltage: 16KV/mm.

To be used on clean surfaces

Reference	6YTMC2000ELH062A
-----------	------------------

### Silicone filling stand



Intended for use with sealed connection sleeves types A, C, D, E, F, G. This stand keeps the pieces vertically while filling the liquid silicone on-site.

Mounts directly during assembly on the pipe, with a plastic clamp or a spring, or is placed on a flat surface. It prevents the reversal of parts during filling. The sleeves and cable ends cling by their taps. Contact us for multiple mounting stand for wiring workshop

Reference	6YTTL002
-----------	----------

Because of permanent improvement of our products, drawings, descriptions, features used on these data sheets are for guidance only and can be modified without prior advice

