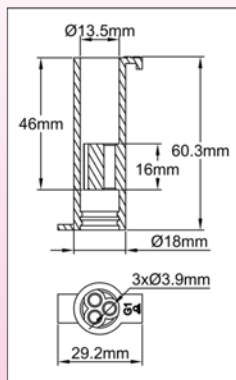
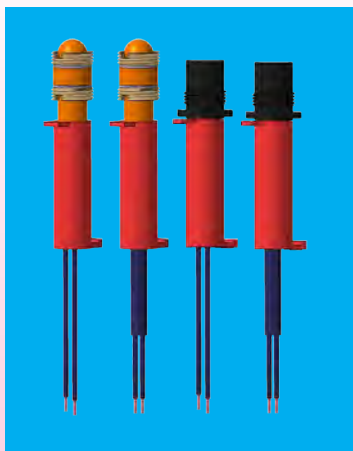


Connection systems for heating cables with silicone filling

Silicone connection sleeve, type G, for accessories with dia 14 mm tip.



Used to connect two or three conductors or a cable on :

- Anti-freeze thermostat
- Surface mount thermostat
- End Of Line indicator light
- Pt100 sensor
- NTC sensor

When the filling is done according to installation instructions, it provides an IP65 sealing.

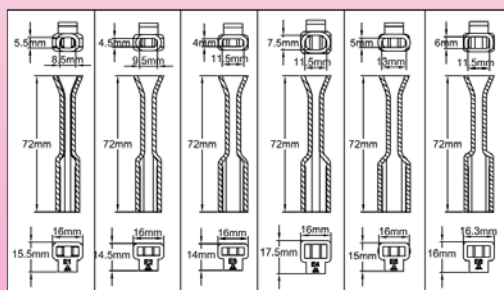
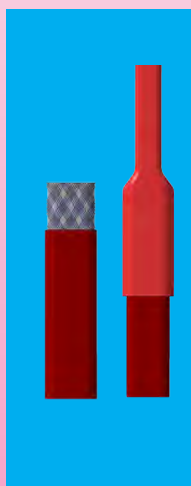
After crimping the conductors, fits with a light grip on the 14 mm diameter cylindrical parts of the accessories.

It has a holding tab for filling and a pulling tab to drag it in and internal guidelines that maintain a constant distance between connections when filling.

Average volume of silicon needed for filling: 5 ml (5 cm³).

Reference	6YTNG1M14000060
Packaging:	10 pieces bag

Silicone sleeves type E, for self regulating heating cable end or constant power cable, or two conductors series cable.

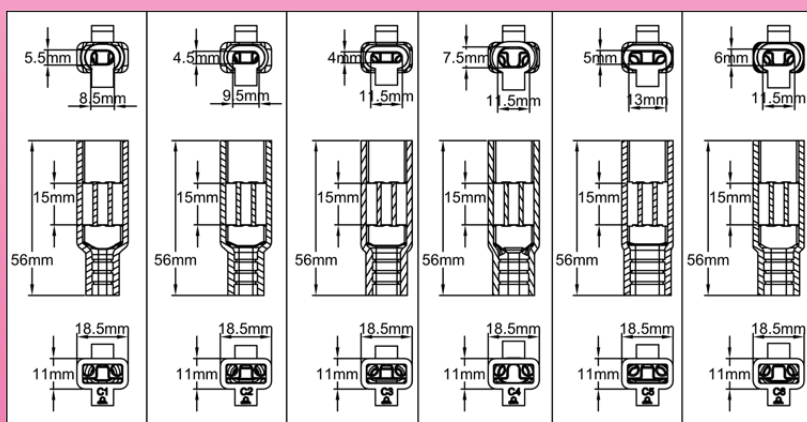
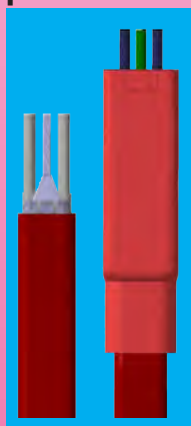


Reference	N°	Hole	Cable gauge
6YTNE1M085055072	E1	8.5 x 5.5	9 x 6 to 9.5 x 6.5
6YTNE2M095045072	E2	9.5 x 4.5	10 x 5 to 10.5 x 5.5
6YTNE3M115040072	E3	11.5 x 4	12 x 4.5 to 12.5 x 5
6YTNE4M115075072	E4	11.5 x 7.5	12 x 8 to 12.5 x 8.5
6YTNE5M130050072	E5	13 x 5	13.5 x 5.5 to 14 x 6
6YTNE6M115060072	E6	11.5 x 6	12 x 6 to 12.5 x 7

Slip by pressing lightly on the unconnected ends of heating cables. When the filling is done according to installation instructions, they provide an IP65 sealing. Include a funnel for easy RTV filling and a holding tab for filling. The square section allows pipe mounting with a wireclamp or clamp. These sleeves can possibly be cut in the middle after polymerization. Average volume of silicone needed for filling: 1.4 ml

Packaging: 10 pieces bag

Silicone connection sleeve type C for constant power heating cable parallel or self-regulating with protective and grounding metal braid.



They allow the connection of heating cables on non-heating conventional conductors. When the assembly and filling are performed according to installation instructions, they provide an IP65 seal.

Composed of a silicone sleeve adapted to heating cables, 3 x AWG15 wires (1.5 mm²) FEP insulated 300V, 300mm length (diameter 2.4 mm), equipped with a cable shoe and a tubular crimp terminal. The connection to the control boxes is made with the M20x1.5 accessories with 2.4mm holes.

Average volume of silicone needed for filling: 1.6 ml

Packaging: 10 pieces bag

Reference	N°	Hole	Cable gauge
6YTNC13085055056	C1	8.5 x 5.5	9 x 6 to 9.5 x 6.5
6YTNC23095045056	C2	9.5 x 4.5	10 x 5 to 10.5 x 5.5
6YTNC33115040056	C3	11.5 x 4	12 x 4.5 to 12.5 x 5
6YTNC43115075056	C4	11.5 x 7.5	12 x 8 to 12.5 x 8.5
6YTNC53130050056	C5	13 x 5	13.5 x 5.5 to 14 x 6
6YTNC63115060056	C6	11.5 x 6	12 x 6 to 12.5 x 7

