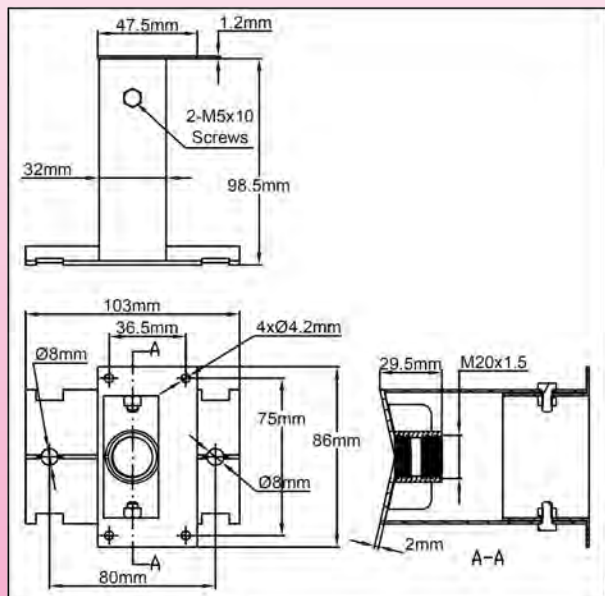
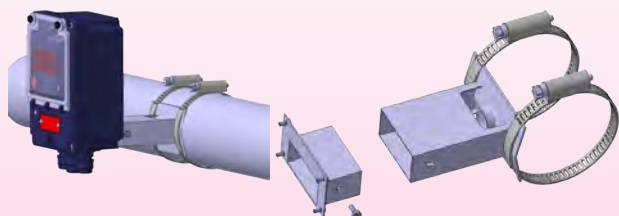


Side mounting bracket for horizontal pipe, with 100mm offset.



Can also be used for flat surface or a wall mounting, using the two dia. 8mm holes 80 mm spacing.

- The mounting bracket on the side of the box is removable, allowing to slide the tab into a rectangular hole of the same size and to mount it on hold on the piping, then assembling the box and make the connections after closing, insulating and installing the protection metal sheet. When the sealing of the crossing is required, use silicone sealant at the interface between the stand and the insulation sheet or use a mounting stand with bottom outlet.

- Mounting done without any play between the supporting bracket and the hole in the insulation sheet. The cables are protected by the rectangular stainless steel tube. The cable outlet at the bottom can be done on both sides (top and bottom).

Rectangular hole in the insulation sheet: 32 mm x 64 mm (gaskets: see page 111).

- **The bottom:** in contact with the pipe and has an internal M20x1.5 thread which allows to mount a temperature sensor or surface thermostat (see pages 94 and 102). It includes guide slots for hose clamps and two dia. 8 mm holes for wall screw-mounting.

- **The top accepts:**

- All control box models with mechanical or electronic thermostat (with two rear outlets through M20 x 1.5 glands).
- The circuit breaker boxes, with rear or bottom outlet.
- The junction boxes, with rear or bottom outlet.
- The heat exchanger boxes for solid state relays, with rear or bottom outlet.
- Through-insulation plates with one or two outlets.

Important: when using aluminum boxes with forced ventilation (power static relays), one should check that the thickness of the rear cabinet is compatible with the stem length and the insulation thickness (especially for vertical pipe mountings and sole aluminum case, or mounted centrally if several boxes are on the same stand).

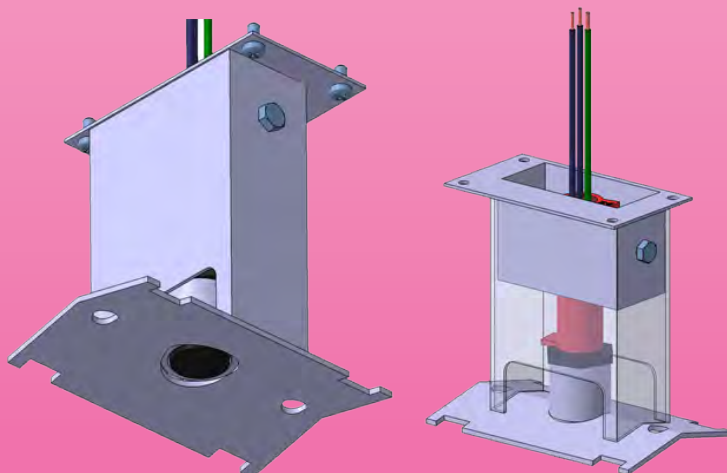
Kit includes: Stainless Steel bottom mounting bracket, top mounting bracket, screws for mounting on the box.

Reference	6YTPF102099M20
-----------	----------------

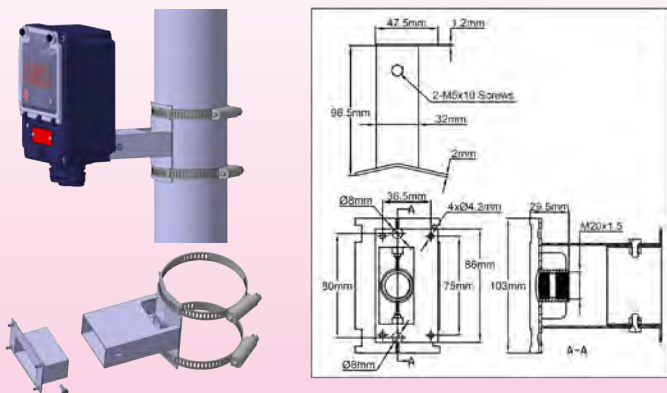
On order: stand with different length.

Gaskets : see page 111

Mounting example of surface temperature sensor integrated in the stand



Side mounting bracket for vertical pipe, with 100mm offset.



Can also be used for attachment to flat surface or a wall. Other features similar to the side bracket for horizontal tube on page 108.

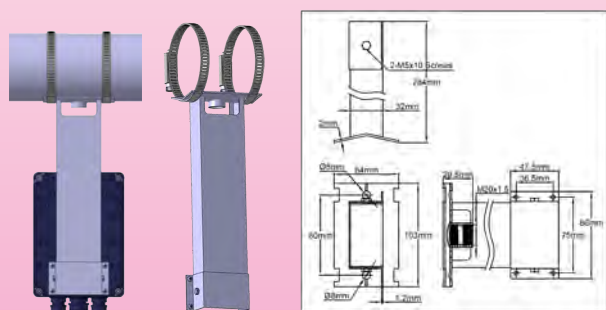
Kit includes: Stainless Steel bottom mounting bracket, top mounting bracket, screws for mounting on the box.

Reference	6YTPF102099M20V
------------------	-----------------

On order: stand with different length.

Gaskets: see page 111

Bottom vertical outlet bracket, with 100mm offset, 180mm overall length



Allows the outlet from the insulation in the bottom part of the pipe, at the junction of the protection metal sheet.

32 x 64 mm drilling

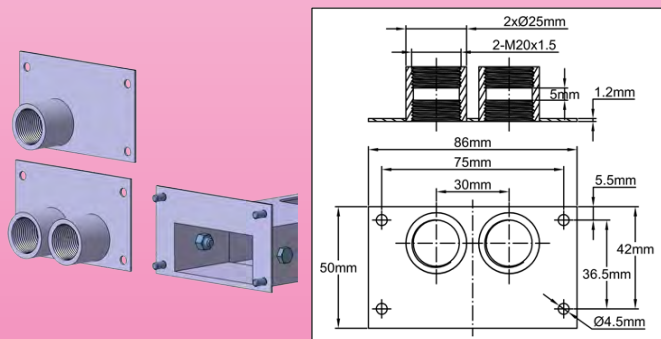
Can be used for a top outlet, in this case pipe-box distance: 225 mm.

Kit includes: Stainless Steel bottom mounting bracket, top mounting bracket, screws for mounting on the box.

Reference	6YTPF102284M20H
------------------	-----------------

Gaskets: see page 111

Through-insulation plates



Outlet (s) through M20x1.5 threaded sleeve(s)

- All stainless steel construction
 - 4 holes diameter 4.5 mm
- These plates are mounted with 4 screws + nuts on the pipe mounting stands, or 4 rivets or Parker screws on outer metal sheet of the insulation.

If necessary to provide a seal between the plate and the insulation sheet: use the 10 mm thick silicone foam gasket (see page 111) or some silicone sealant (not supplied).

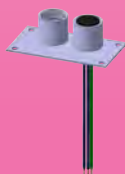
These plates accept :

- **One outlet model:**
- M20x1.5 standard cable gland (page 111)
- M20x1.5 standard cable gland with protection jacket support (page 111)
- End Of Line light (page 102)

Reference	Description
6YTPF086050M201	One outlet PGM20
6YTPF086050M202	Two outlets PGM20

- Antifreeze thermostats threaded M20x1.5 (page 94)
 - Temperature sensors Pt100 and NTC M20x1.5 (page 102)
- Stuffing for standard cable glands and round or flat wires (pages 110)
- Polyamide plugs (page 111)
 - Models with two outlets may receive all possible combinations of two of these accessories

Mounting examples on a through-insulation plate



Pt100 sensor for ambient temperature control



ISO M20 gland and indicator light