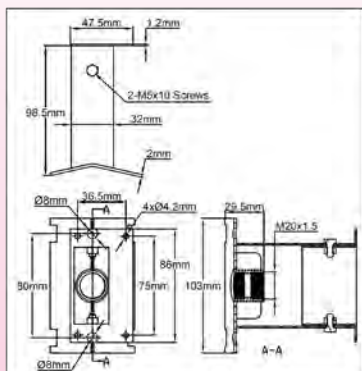
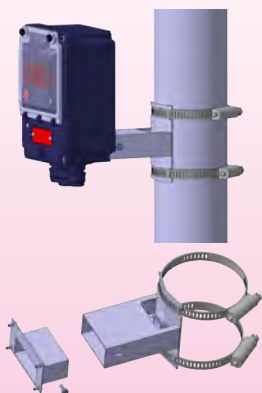


Side mounting bracket for vertical pipe, with 100mm offset.



Can also be used for attachment to flat surface or a wall. Other features similar to the side bracket for horizontal tube on page 108.

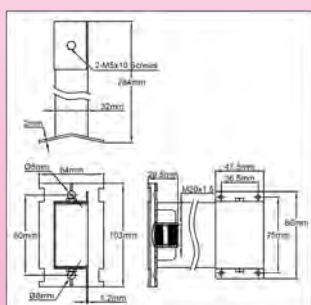
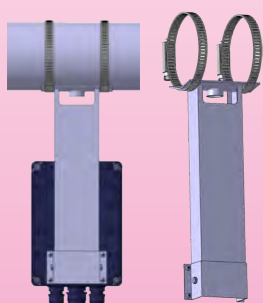
Kit includes: Stainless Steel bottom mounting bracket, top mounting bracket, screws for mounting on the box.

Reference	6YTPF102099M20V
------------------	-----------------

On order: stand with different length.

Gaskets: see page 111

Bottom vertical outlet bracket, with 100mm offset, 180mm overall length



Allows the outlet from the insulation in the bottom part of the pipe, at the junction of the protection metal sheet.

32 x 64 mm drilling

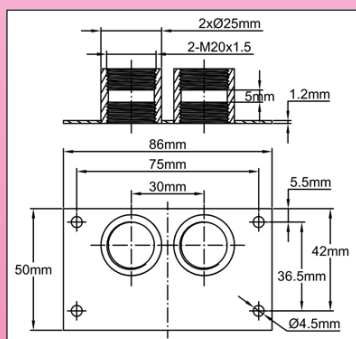
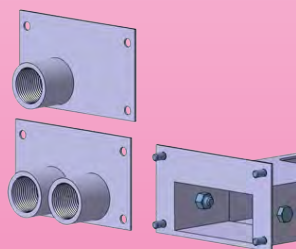
Can be used for a top outlet, in this case pipe-box distance: 225 mm.

Kit includes: Stainless Steel bottom mounting bracket, top mounting bracket, screws for mounting on the box.

Reference	6YTPF102284M20H
------------------	-----------------

Gaskets: see page 111

Through-insulation plates



Outlet (s) through M20x1.5 threaded sleeve(s)

- All stainless steel construction
 - 4 holes diameter 4.5 mm
- These plates are mounted with 4 screws + nuts on the pipe mounting stands, or 4 rivets or Parker screws on outer metal sheet of the insulation.

If necessary to provide a seal between the plate and the insulation sheet: use the 10 mm thick silicone foam gasket (see page 111) or some silicone sealant (not supplied).

These plates accept :

- **One outlet model:**
- M20x1.5 standard cable gland (page 111)
- M20x1.5 standard cable gland with protection jacket support (page 111)
- End Of Line light (page 102)

Reference	Description
6YTPF086050M201	One outlet PGM20
6YTPF086050M202	Two outlets PGM20

- Antifreeze thermostats threaded M20x1.5 (page 94)
 - Temperature sensors Pt100 and NTC M20x1.5 (page 102)
- Stuffing for standard cable glands and round or flat wires (pages 110)
- Polyamide plugs (page 111)
 - Models with two outlets may receive all possible combinations of two of these accessories

Mounting examples on a through-insulation plate



Pt100 sensor for ambient temperature control



ISO M20 gland and indicator light

Because of permanent improvement of our products, drawings, descriptions, features used on these data sheets are for guidance only and can be modified without prior advice

