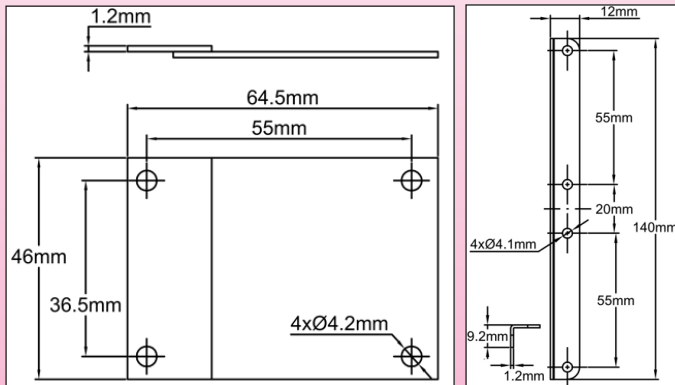
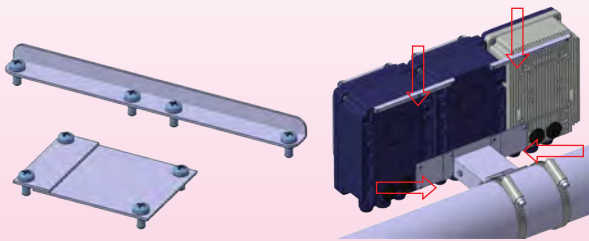


Coupling brackets



Coupling brackets for side-by-side boxes on the same heat-tracing stand

This all stainless steel accessory allows the mounting of two or three boxes side by side on the same stand, including SSR boxes with or without a fan.

Application examples :

2 boxes :

- Control + SSR power control
- Control + distribution box
- Control + breaker box

3 boxes :

- Control + SSR power control + breaker box
- Control + SSR power control + distribution box
- Control + breaker box + distribution box

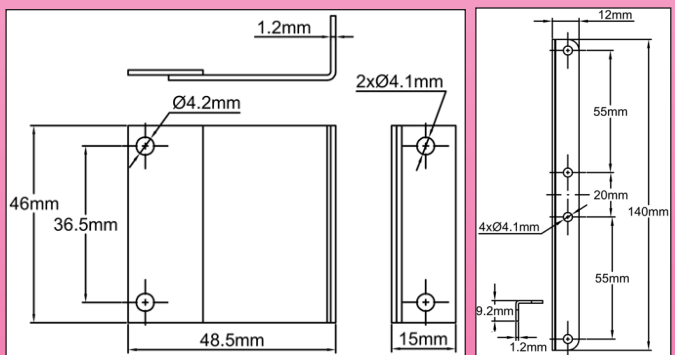
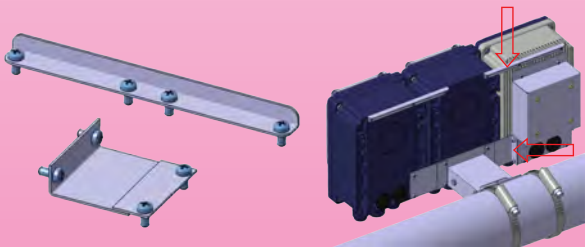
Not suitable for mounting next to a SSR box with fan and fan guard.

Kit composition: one bottom bracket, one top bracket + 8 screws

Two sets are required if 3 units are mounted side by side

Reference	6YMLK140012F
-----------	--------------

Coupling bracket set for coupling a SSR box with fan and fan guard and another box



Allows the coupling of a box with forced ventilation and a standard box.

Kit composition: one bottom bracket, one top bracket + 8 screws

Reference	6YMLK140012L
-----------	--------------