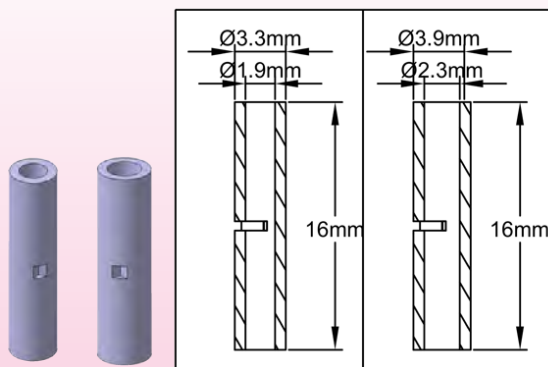


# Tubular terminals for connection with hexagonal crimping on gauges up to 2.5mm<sup>2</sup>



Allows in-line connection of leads with different gauges, including spiral heating wires on fiberglass cores. The pods must be protected by a heat shrink sleeve if a sealing connection plug with silicone filling is not used.  
**Stripping length of the leads:** 6+1/-0 mm.

**Crimping center position:** 4 mm +/-1 from the edge.

**Length:** 16 mm

**Material:** tin plated copper

Reference (100 pieces box)	Lead gauge (mm <sup>2</sup> )	Internal dia.	External dia.
6YTCORC019033016	0.5 to 1.5	1.9	3.3
6YTCORC023036016	1.5 to 2.5	2.3	3.9

## Selection of the crimping insert according to the lead gauge and the terminal type

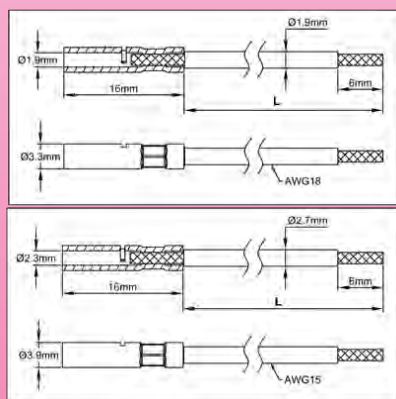
### 1.9 x 3.3 terminal

Spiral on glass silk core dia 0.8 mm	0.75 mm <sup>2</sup>	AWG18	1.5 mm <sup>2</sup>	AWG15	2.5 mm <sup>2</sup>
N°1	N°1	N°1	N°2	N°2	No

### 2.3 x 3.9 terminal

Spiral on glass silk core dia 0.8 mm	0.75 mm <sup>2</sup>	AWG18 (0.8 mm <sup>2</sup> )	1.5 mm <sup>2</sup>	AWG15 (1.65mm <sup>2</sup> )	2.5 mm <sup>2</sup>
No	No	No	N°2	N°2	N°3

## Pre-crimped non heating ends



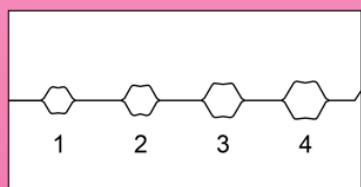
**3 conductors set, 300V FEP insulation**, for non heating output. Equipped with cable shoes at one end and a tubular connector crimped at the other end, they save time on site by limiting cutting, stripping and crimping operations.

Each set includes a black wire for the phase, a blue wire for the neutral and a green and yellow wire for the earth.

Temperature resistance: 180°C

Reference	Gauge	Lead external dia.	Length
6YTCORRC18F0300S	AWG 18 (0.75 mm <sup>2</sup> )	1.9	300
6YTCORRC18F1000S	AWG 18 (0.75 mm <sup>2</sup> )	1.9	1000
6YTCORRC15F0300S	AWG 15 (1.5 mm <sup>2</sup> )	2.4	300
6YTCORRC15F1000S	AWG 15 (1.5 mm <sup>2</sup> )	2.4	1000

## Hexagonal crimping pliers for tubular terminals



Can also be used to crimp temperature sensor tubes on round cables. Insert width: 3 mm.

For crimping wire end ferrules in accordance with DIN 46 267 Part 1

High crimping quality due to the unlockable ratchet

The force is amplified by the knee lever reduction

Easy cable output with its opening system

Low weight (500 grams).

Dimension across flats of hexagonal inserts:

n°1: 2.2; n°2: 2.5; n°3: 2.7, n°4: 3.1

Reference	6YTTL003
-----------	----------