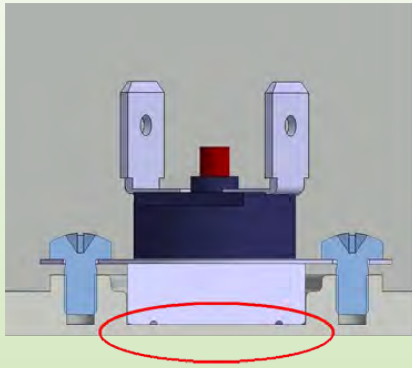
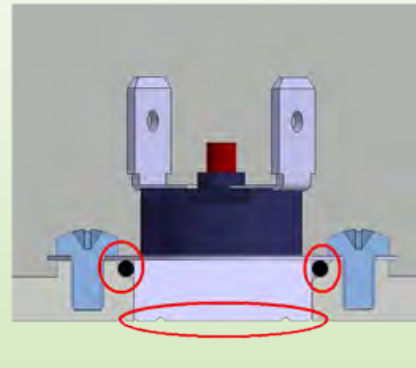


## The two possible disc thermostat mountings



Without cross-wall. Allows use of the thermostat disc in most common applications. The low residual wall thickness greatly reduces the thermal inertia.



With cross-wall and O-ring. This solution provides the lowest thermal inertia, but requires a dia.16.3 mm drilling of the existing surface at the bottom of the cup. The 16 mm dia. O-ring is required in waterproof applications

## Solid state relay mounting options



Part of the housing is provided for mounting a single-phase SSR, up to 25A rating, whose heat exchange is provided by cooling fins at the rear side. In this application, it is also possible to use the disc thermostat slot to install an overheating safety thermostat for the SSR

Because of permanent improvement of our products, drawings, descriptions, features used on these data sheets are for guidance only and can be modified without prior advice