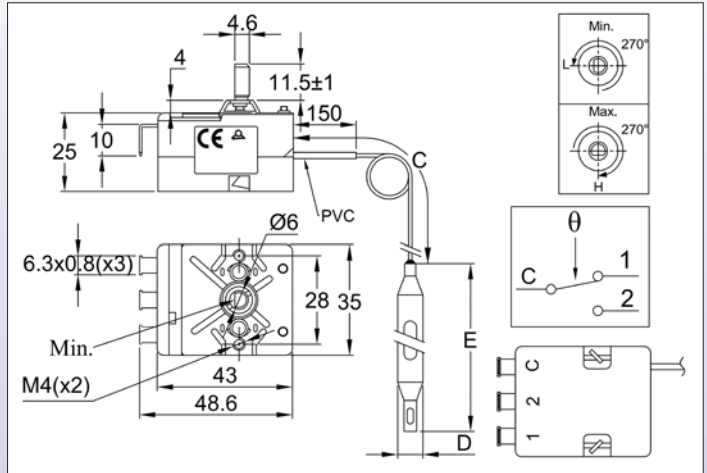
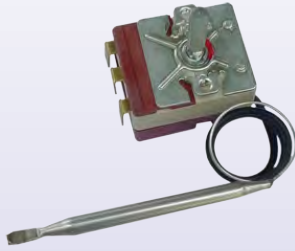


# Main bulb and capillary thermostats used in the Y housings

## Type 8G Single pole control thermostat (Appliances type)



**Housing dimensions:** 43 x 35 x 29 mm (without terminals)  
**Bulb and capillary:** stainless steel, 150 mm long pvc sleeve on capillary. Capillary minimum bending radius 5 mm.  
**Temperature sensing element:** liquid filled bulb and capillary.  
**Terminals:** 6.35 x 0.8 quick connect terminals. M4 screws also available on request.  
**Adjustment:** Dia. 6 mm shaft with 4.6 mm flat, length 11.5 mm. Other lengths, screw driver adjustment or fixed setting available on request.  
**Mounting:** Front bracket with 2 x M4 threads, 28 mm distance  
**Rating:** 16A(4) 250/VAC  
**Contacts:** SPDT (snap action contact),

### Main references

Reference	Temperature range (°C)	Capillary length (mm)	Bulb diameter (mm)	Bulb length (mm)	Differential (°C)	Max temperature on bulb (°C)
8GB-35035AO60001	-35+35°C	1500	6	98	3+/-2	55
8GB-35035AA60001	-35+35°C	250	6	98	3+/-2	55
8GB004040AO60001	4-40°C	1500	6	140	3+/-2	60
8GB004040AA60001	4-40°C	250	6	140	3+/-2	60
8GB030090AO60001	30-90°C	1500	6	87	4+/-3	120
8GB030110AO60001	30-110°C	1500	6	93	5+/-3	150
8GB050200AO60001	50-200°C	1500	6	59	8+/-5	250
8GB050300AO30001	50-300°C	1500	3	165	10+/-5	350

Other temperature ranges available on request.

### °C Printing

-35+35°C	4-40°C	30-90°C	30-110°C	50-200°C	50-300°C
66MZ006-350352FW	66MZ0060040402FW	66MZ0060300901FW	66MZ0060301101FW	66MZ0060502001FW	66MZ0060503001FW

### °F Printing

66MZ006-350352FX	66MZ0060040402FX	66MZ0060300901FX	66MZ0060301101FX	66MZ0060502001FX	66MZ0060503001FX

### Soft grip knob and bezels dimensions

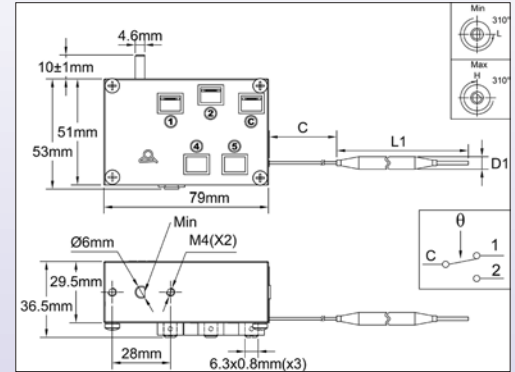
Dimensions	References	Material
	66MZ.....	PC +Santoprene
	66EN1	Black ABS
	66EN3	Chrome plated ABS
	66EN2	Stainless steel

Many other knobs are available, see the knobs catalogue.



# Main bulb and capillary thermostats used in the Y housings

## Types KR and KU Single pole control thermostat, standard differential and reduced differential (Commercial type)



**Housing dimensions:** 79 x 53 x 36 mm (without terminals)  
**Bulb and capillary:** copper for temperature ranges up to 50°C, stainless steel over, capillary length 1500 mm or 3000 mm. Capillary minimum bending radius 5mm.  
**Temperature sensing element:** liquid filled bulb and capillary.  
**Terminals:** 6.35 x 0.8 quick connect terminals (M4 screws also available on request),  
**Adjustment:** Dia. 6 mm shaft with 4.6 mm flat, (other lengths or fixed setting available on request).  
**Mounting:** Front bracket with 2 xM4 threads, 28 mm distance  
**Rating:** 15A (1/4 HP) 250VAC, 15A 400V res. KU type cannot be used on 400V  
**Contacts:** SPDT (snap action contact)  
**Electrical life:** >500.000 cycles at nominal rating

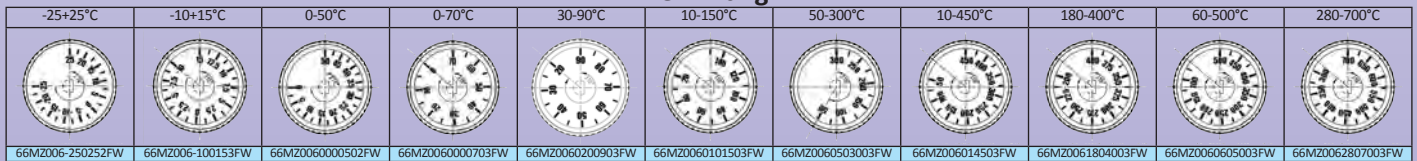
### Main references

References with standard differential	References with reduced differential	Temperature range (°C)	Capillary length (mm)	Bulb diameter (mm)	Bulb length (mm)	KR: Standard Differential (°C)	KU: Reduced Differential (°C)	Max temperature on bulb (°C)
KRA-250252200	KUA-250252200	-25+25	1500	6.4	152	3+/-2	2+/-1	50
KRA-1001552000	KUA-1001552000	-10+15	1500	6.4	152	3+/-2	2+/-1	50
KRA0000502000	KUA0000502000	0-50	1500	6.4	152	3+/-2	2+/-1	60
KRA0000705200	KUA0000705200	0-70	1500	4.8	120	5+/-3	3+/-2	160
KRA0000701200	KUA0000701200	0-70	3000	4.8	120	5+/-3	3+/-2	160
KRA0200905000	KUA0200905000	20-90	1500	4.8	120	5+/-3	3+/-2	160
KRA0200901000	KUA0200901000	20-90	3000	4.8	120	5+/-3	3+/-2	160
KRA0101505000	KUA0101505000	10-150	1500	4.8	120	5+/-3	3+/-2	160
KRA0101501000	KUA0101501000	10-150	3000	4.8	120	5+/-3	3+/-2	160
KRA0802000100	KUA0802000100	80-200	1500	4	100	10+/-4	7+/-3	320
KRA0503000100	KUA0503000100	50-300	1500	4	100	10+/-4	7+/-3	320
KRA0104507000	KUA0104507000	10-450	1500	4.8	120	20+/-6	12+/-4	760
KRA0104509000	KUA0104509000	10-450	3000	4.8	120	20+/-6	12+/-4	760
KRA0605007000	KUA0605007000	60-500	1500	4.8	120	20+/-6	12+/-4	760
KRA0605009000	KUA0605009000	60-500	3000	4.8	120	20+/-6	12+/-4	760
KRA1806007000	KUA1806007000	180-600	1500	4.8	120	20+/-6	12+/-4	760
KRA1806009000	KUA1806009000	180-600	3000	4.8	120	20+/-6	12+/-4	760
KRA2807008000	KUA2807008000	280-700	1500	3	300	20+/-6	12+/-4	760

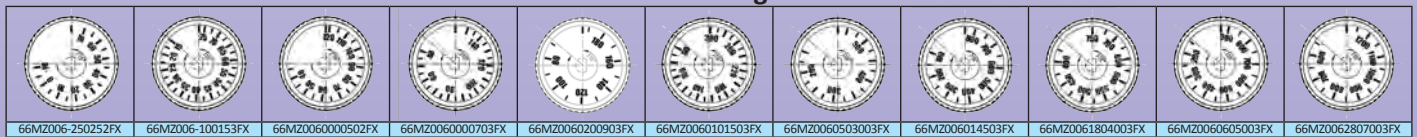
These thermostats are also available with screw driver adjustment, 20 and 30 mm shaft length

Caution: Bulbs and capillaries of ranges higher than 300°C are filled with sodium potassium eutectic. If they leak or are broken this liquid is flammable if in contact with water

### °C Printing



### °F Printing



### Soft grip knob and bezels dimensions

Dimensions	References	Material
	66MZ.....	PC +Santoprene
	66EN1	Black ABS
	66EN3	Chrome plated ABS
	66EN2	Stainless steel

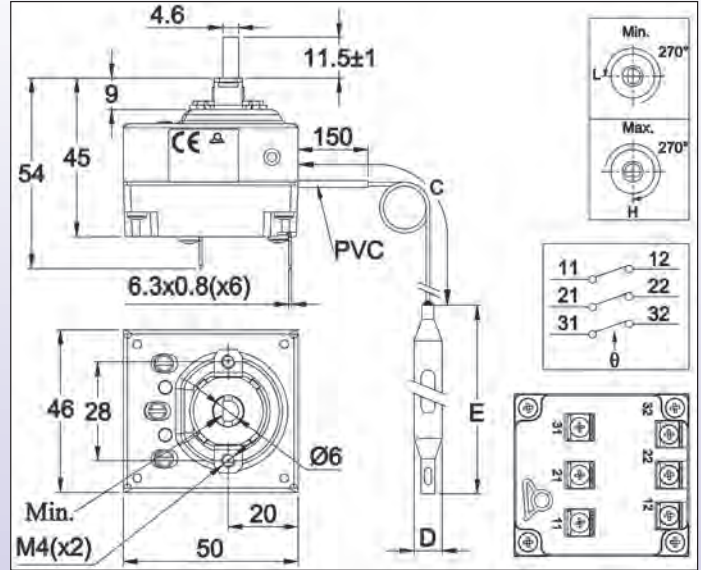
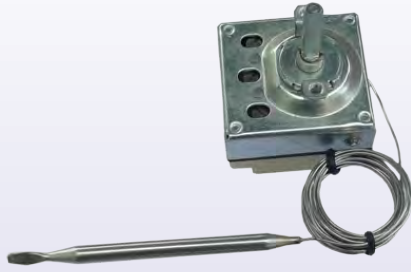
Many other knobs are available, see the knobs catalogue.

Because of permanent improvement of our products, drawings, descriptions, features used on these data sheets are for guidance only and can be modified without prior advice



# Main bulb and capillary thermostats used in the Y housings

## Type 8C 3 pole control thermostat



**Housing dimensions:** 46 x 50 x 45 mm (without terminals)

**Bulb and capillary:** stainless steel, capillary length 250mm or 1500 mm, 150 mm long PVC sleeve on capillary. Capillary minimum bending radius 5 mm.

**Temperature sensing element:** liquid filled bulb and capillary.

**Terminals:** 6.35 x 0.8 quick connect terminals. M4 screws also available on request.

**Adjustment:** Dia. 6 mm shaft with 4.6 mm flat, (other lengths or fixed setting available on request).

**Mounting:** Front bracket with 2 xM4 threads, 28 mm distance

**Rating:** 3 x 16A(4) 250VAC, 10A 400VAC

**Contacts:** 3 x ST with snap action contact, 3PDT available on request

### Main references

Reference	Temperature range (°C)	Capillary length (mm)	Bulb diameter (mm)	Bulb length (mm)	Differential (°C)	Max temperature on bulb (°C)
8CB-35035AO60001	-35+35	1500	6	95	4+/-2	50
8CB-35035AA60001	-35+35	250	6	95	4+/-2	50
8CB004040AO60001	4-40°C	1500	6	160	4+/-2	50
8CB004040AA60001	4-40°C	250	6	160	4+/-2	50
8CB030090AO60001	30-90°C	1500	6	86	6+/-3	110
8CB030110AO60001	30-110°C	1500	6	70	6+/-3	130
8CB050200AO60001	50-200°C	1500	6	57	13+/-4	220
8CB050300AO30001	50-300°C	1500	3	165	15+/-5	320

### °C Printing

-35+35°C	4-40°C	30-90°C	30-110°C	50-200°C	50-300°C
66MZ006-350352FW	66MZ0060040402FW	66MZ0060300901FW	66MZ0060301101FW	66MZ0060502001FW	66MZ0060503001FW

### °F Printing

66MZ006-350352FX	66MZ0060040402FX	66MZ0060300901FX	66MZ0060301101FX	66MZ0060502001FX	66MZ0060503001FX

### Soft grip knob and bezels dimensions

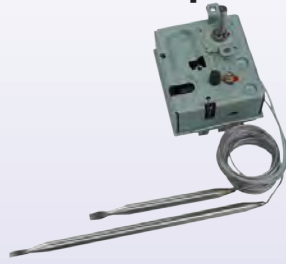
Dimensions	References	Material
	66MZ.....	PC +Santoprene
	66EN1	Black ABS
	66EN3	Chrome plated ABS
	66EN2	Stainless steel

Many other knobs are available, see the knobs catalogue.

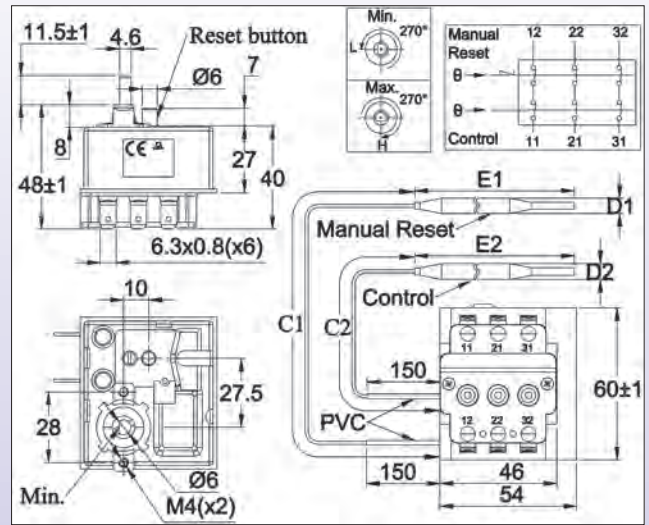


# Main bulb and capillary thermostats used in the Y housings

## Type 8I 3 pole combination control thermostat



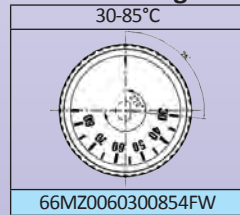
**Housing dimensions:** 60 x 54 x 48 mm (without terminals)  
**Bulb and capillary:** stainless steel, capillary length 250mm or 150 mm, 150 mm long pvc sleeve on capillary .Capillary minimum bending radius 5 mm.  
**Temperature sensing element:** liquid filled bulb and capillary.  
**Terminals:** 6.35 x 0.8 quick connect terminals (M4 screws also available on request),  
**Adjustment:** Dia. 6 mm shaft with 4.6 mm flat, (other lengths or fixed setting available on request).  
**Mounting:** Front bracket with 2 xM4 threads, 28 mm distance  
**Rating:** 3 x16A 250VAC, 10A 400VAC (res.)  
**Contacts:** : 3 poles ST (snap action contact)



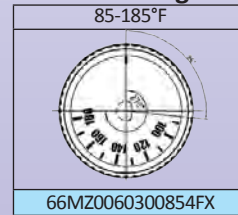
### Main references

Reference	Temperature range (°C)	Capillary length (mm)	Bulb diameter (mm)	Bulb length (mm)	Differential (°C)	Max temperature on bulb (°C)	Manual reset temperature
8IC085110AO60001	30-85°C	1500	6	94 (E1) 129 (E2)	12 +/-6	170°C (E1) 140° (E2)	110°C+0/-9°C

### °C Printing



### °F Printing



### Soft grip knob and bezels dimensions

Dimensions	References	Material
	66MZ.....	PC +Santoprene
	66EN1	Black ABS
	66EN3	Chrome plated ABS
	66EN2	Stainless steel

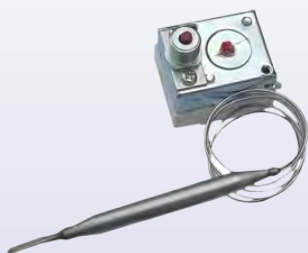
Many other knobs are available, see the knobs catalogue.

Because of permanent improvement of our products, drawings, descriptions, features used on these data sheets are for guidance only and can be modified without prior advice

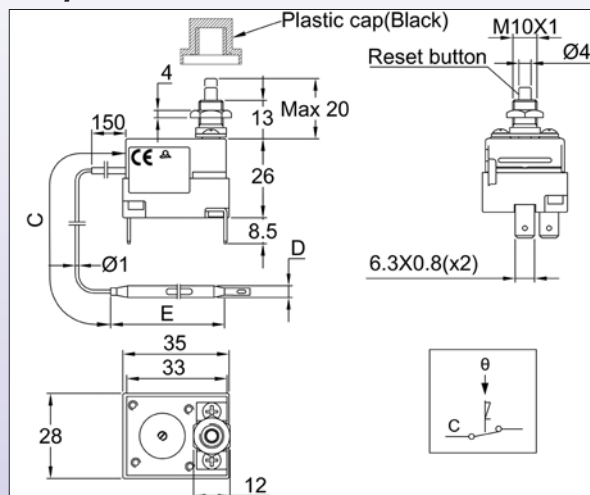


# Main bulb and capillary thermostats used in the Y housings

## Type 8L SPNC manual reset high limit, fail safe



**Housing dimensions:** 43 x 35 x 29 mm (without terminals)  
**Bulb and capillary:** stainless steel, capillary length 250mm or 1500 mm, 150 mm long PVC sleeve on capillary. Capillary minimum bending radius 5 mm.  
 Temperature sensing element: liquid filled bulb and capillary.  
**Terminals:** 6.35 x 0.8 quick connect terminals (M4 screws also available on request),  
**Adjustment:** fixed setting, sealed  
**Manual reset:** fail safe, fixed setting, front access reset button  
 Fail safe contact action by low temperature: Temperatures under -10°C will trigger the manual reset.  
**Mounting:** Front bushing, M10 x1 thread  
**Rating:** 16A 250/400VAC  
**Contacts:** SPST (snap action contact)  
**Max ambient temperature on body:** 150°C



### Main references

Reference	Calibration Temperature (°C)	Minimum resettable temperature (°C)	Capillary length (mm)	Bulb diameter (mm)	Bulb length (mm)	Max temperature on bulb (°C)
8L0080105AO61001	80+/-8	52	1500	6	77	105
8L0080105AA61001	80+/-8	52	250	6	77	105
8L0090115AO61001	90+/-8	60	1500	6	77	115
8L0110135AO61001	110+/-8	75	1500	6	77	135
8L0130155AO61001	130+/-8	80	1500	6	74	155
8L0150175AO61001	150+/-8	95	1500	6	74	175
8L0175200AO41001	175+/-8	115	1500	4	95	200
8L0220245AO41001	220+/-11	140	1500	4	90	245
8L0270295AO41001	270+/-13	160	1500	4	85	295
8L0300325AO41001	300+/-15	160	1500	4	82	325

Other temperatures and capillary lengths on request.

Because of permanent improvement of our products, drawings, descriptions, features used on these data sheets are for guidance only and can be modified without prior advice

