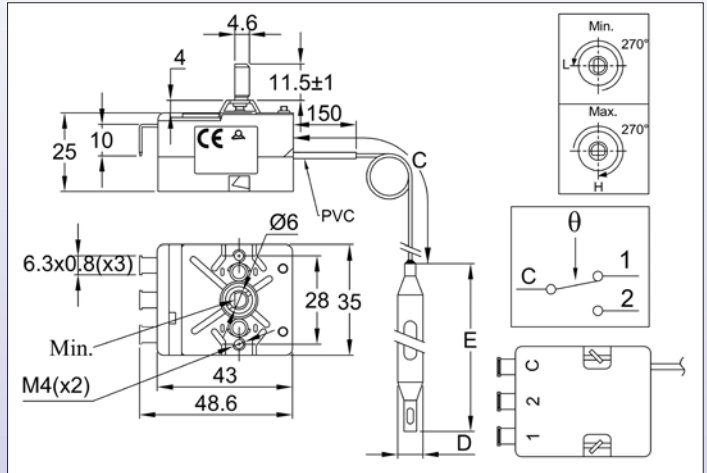
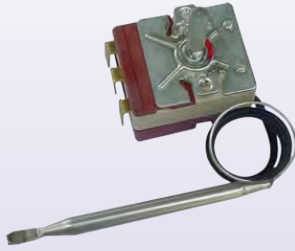


# Main bulb and capillary thermostats used in the Y housings

## Type 8G Single pole control thermostat (Appliances type)



**Housing dimensions:** 43 x 35 x 29 mm (without terminals)  
**Bulb and capillary:** stainless steel, 150 mm long pvc sleeve on capillary .Capillary minimum bending radius 5 mm.  
**Temperature sensing element:** liquid filled bulb and capillary.  
**Terminals:** 6.35 x 0.8 quick connect terminals. M4 screws also available on request.  
**Adjustment:** Dia. 6 mm shaft with 4.6 mm flat, length 11.5 mm. Other lengths, screw driver adjustment or fixed setting available on request.  
**Mounting:** Front bracket with 2 xM4 threads, 28 mm distance  
**Rating:** 16A(4) 250/VAC  
**Contacts:** SPDT (snap action contact),

### Main references

Reference	Temperature range (°C)	Capillary length (mm)	Bulb diameter (mm)	Bulb length (mm)	Differential (°C)	Max temperature on bulb (°C)
8GB-35035AO60001	-35+35°C	1500	6	98	3+/-2	55
8GB-35035AA60001	-35+35°C	250	6	98	3+/-2	55
8GB004040AO60001	4-40°C	1500	6	140	3+/-2	60
8GB004040AA60001	4-40°C	250	6	140	3+/-2	60
8GB030090AO60001	30-90°C	1500	6	87	4+/-3	120
8GB030110AO60001	30-110°C	1500	6	93	5+/-3	150
8GB050200AO60001	50-200°C	1500	6	59	8+/-5	250
8GB050300AO30001	50-300°C	1500	3	165	10+/-5	350

Other temperature ranges available on request.

### °C Printing

-35+35°C	4-40°C	30-90°C	30-110°C	50-200°C	50-300°C
66MZ006-350352FW	66MZ0060040402FW	66MZ0060300901FW	66MZ0060301101FW	66MZ0060502001FW	66MZ0060503001FW

### °F Printing

66MZ006-350352FX	66MZ0060040402FX	66MZ0060300901FX	66MZ0060301101FX	66MZ0060502001FX	66MZ0060503001FX

### Soft grip knob and bezels dimensions

Dimensions	References	Material
	66MZ.....	PC +Santoprene
	66EN1	Black ABS
	66EN3	Chrome plated ABS
	66EN2	Stainless steel

Many other knobs are available, see the knobs catalogue.

