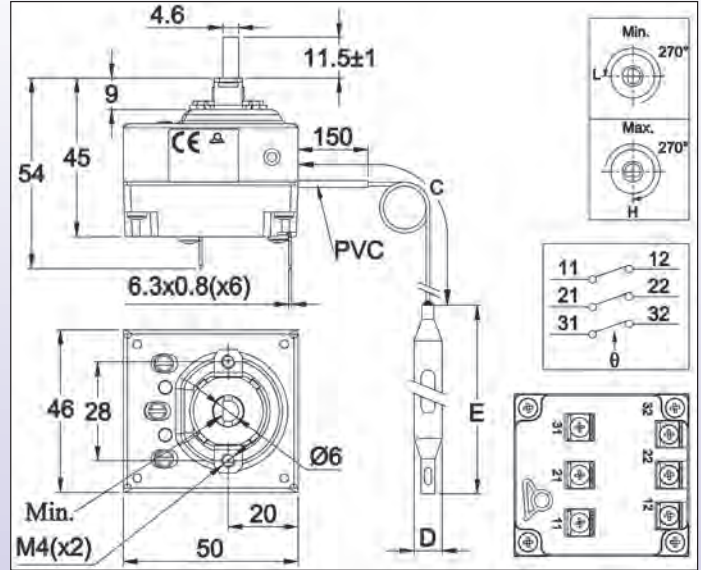
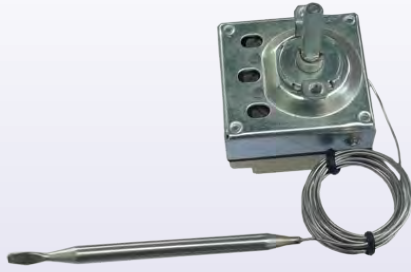


Main bulb and capillary thermostats used in the Y housings

Type 8C 3 pole control thermostat



Housing dimensions: 46 x 50 x 45 mm (without terminals)

Bulb and capillary: stainless steel, capillary length 250mm or 1500 mm, 150 mm long PVC sleeve on capillary. Capillary minimum bending radius 5 mm.

Temperature sensing element: liquid filled bulb and capillary.

Terminals: 6.35 x 0.8 quick connect terminals. M4 screws also available on request.

Adjustment: Dia. 6 mm shaft with 4.6 mm flat, (other lengths or fixed setting available on request).

Mounting: Front bracket with 2 x M4 threads, 28 mm distance

Rating: 3 x 16A(4) 250VAC, 10A 400VAC

Contacts: 3 x ST with snap action contact, 3PDT available on request

Main references

Reference	Temperature range (°C)	Capillary length (mm)	Bulb diameter (mm)	Bulb length (mm)	Differential (°C)	Max temperature on bulb (°C)
8CB-35035AO60001	-35+35	1500	6	95	4+/-2	50
8CB-35035AA60001	-35+35	250	6	95	4+/-2	50
8CB004040AO60001	4-40°C	1500	6	160	4+/-2	50
8CB004040AA60001	4-40°C	250	6	160	4+/-2	50
8CB030090AO60001	30-90°C	1500	6	86	6+/-3	110
8CB030110AO60001	30-110°C	1500	6	70	6+/-3	130
8CB050200AO60001	50-200°C	1500	6	57	13+/-4	220
8CB050300AO30001	50-300°C	1500	3	165	15+/-5	320

°C Printing

-35+35°C	4-40°C	30-90°C	30-110°C	50-200°C	50-300°C
66MZ006-350352FW	66MZ0060040402FW	66MZ0060300901FW	66MZ0060301101FW	66MZ0060502001FW	66MZ0060503001FW

°F Printing

66MZ006-350352FX	66MZ0060040402FX	66MZ0060300901FX	66MZ0060301101FX	66MZ0060502001FX	66MZ0060503001FX

Soft grip knob and bezels dimensions

Dimensions	References	Material
	66MZ.....	PC + Santoprene
	66EN1	Black ABS
	66EN3	Chrome plated ABS
	66EN2	Stainless steel

Many other knobs are available, see the knobs catalogue.

