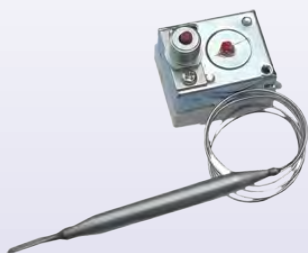
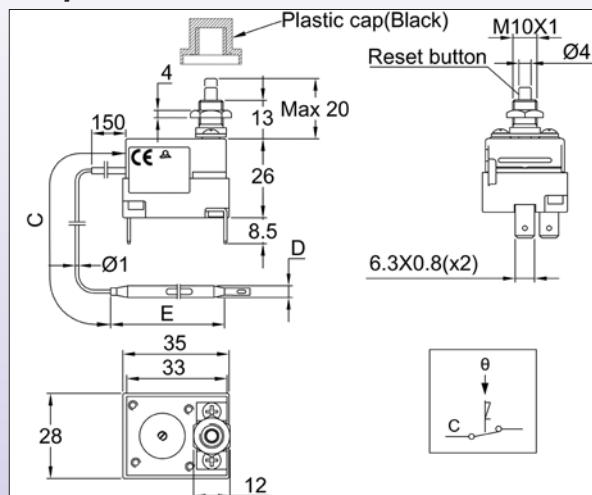


Main bulb and capillary thermostats used in the Y housings

Type 8L SPNC manual reset high limit, fail safe



Housing dimensions: 43 x 35 x 29 mm (without terminals)
Bulb and capillary: stainless steel, capillary length 250mm or 1500 mm, 150 mm long PVC sleeve on capillary. Capillary minimum bending radius 5 mm.
 Temperature sensing element: liquid filled bulb and capillary.
Terminals: 6.35 x 0.8 quick connect terminals (M4 screws also available on request),
Adjustment: fixed setting, sealed
Manual reset: fail safe, fixed setting, front access reset button
 Fail safe contact action by low temperature: Temperatures under -10°C will trigger the manual reset.
Mounting: Front bushing, M10 x1 thread
Rating: 16A 250/400VAC
Contacts: SPST (snap action contact)
Max ambient temperature on body: 150°C



Main references

Reference	Calibration Temperature (°C)	Minimum resettable temperature (°C)	Capillary length (mm)	Bulb diameter (mm)	Bulb length (mm)	Max temperature on bulb (°C)
8L0080105AO61001	80+/-8	52	1500	6	77	105
8L0080105AA61001	80+/-8	52	250	6	77	105
8L0090115AO61001	90+/-8	60	1500	6	77	115
8L0110135AO61001	110+/-8	75	1500	6	77	135
8L0130155AO61001	130+/-8	80	1500	6	74	155
8L0150175AO61001	150+/-8	95	1500	6	74	175
8L0175200AO41001	175+/-8	115	1500	4	95	200
8L0220245AO41001	220+/-11	140	1500	4	90	245
8L0270295AO41001	270+/-13	160	1500	4	85	295
8L0300325AO41001	300+/-15	160	1500	4	82	325

Other temperatures and capillary lengths on request.

Because of permanent improvement of our products, drawings, descriptions, features used on these data sheets are for guidance only and can be modified without prior advice



Main bulb and capillary thermostats used in the Y housings

Type 8X DPNC manual reset high limit, fail safe



Housing dimensions: 43 x 35 x 29 mm (without terminals and diaphragm)

Capillary: copper, capillary length 250mm or 900 mm, 150 mm long PVC sleeve on capillary. Capillary minimum bending radius 5 mm.

For technical reasons, we do not recommend to use capillary length longer than 900 mm.

Bulb: copper, corkscrew type for temperatures from 60 to 130°C, tubular dia 6 mm from 130°C to 170°C

Temperature sensing element: Liquid-filled thermostatic assembly whose boiling causes tripping of the contact. Therefore, unlike liquid filled systems, these thermostats are sensitive to atmospheric pressure, and their reaction time is slower.

Terminals: 6.35 x 0.8 quick connect terminals Adjustment: fixed setting

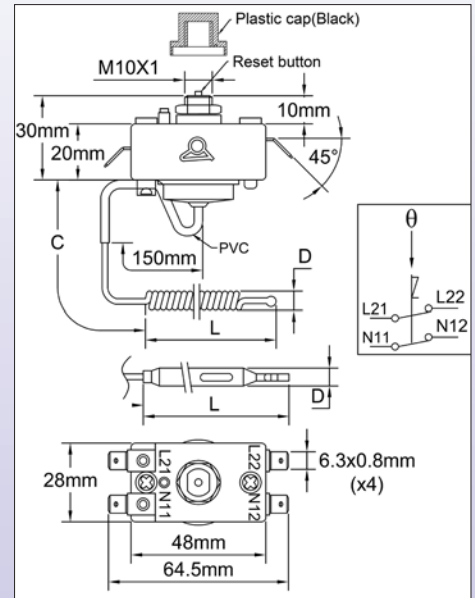
Mounting: Front bushing, with M10x1

Manual reset: fail safe action, front access button

Rating: 20A 250VAC

Contacts: DPST (snap action contact)

Max ambient temperature on head: 125°C



Main references

Reference	Calibration Temperature (°C)	Minimum resettable temperature (°C)	Capillary length (mm)	Bulb diameter (mm)	Bulb length (mm)	Max temperature on bulb (°C)
8X0060090AI61001	60+/-5	20	900	6	50	90
8X0060090AA61001	60+/-5	20	250	6	50	90
8X0070100AI61001	70+/-5	30	900	6	50	100
8X0080110AI61001	80+/-5	40	900	6	50	110
8X0090120AI61001	90+/-5	50	900	6	50	120
8X0110140AI61001	110+/-5	70	900	6	50	140
8X0130160AI61001	130+/-6	90	900	6	60*	160
8X0150180AI61001	150+/-7	110	900	6	60*	180
8X0170200AI61001	170+/-7	130	900	6	60*	200

* Cylinder bulb

Because of permanent improvement of our products, drawings, descriptions, features used on these data sheets are for guidance only and can be modified without prior advice

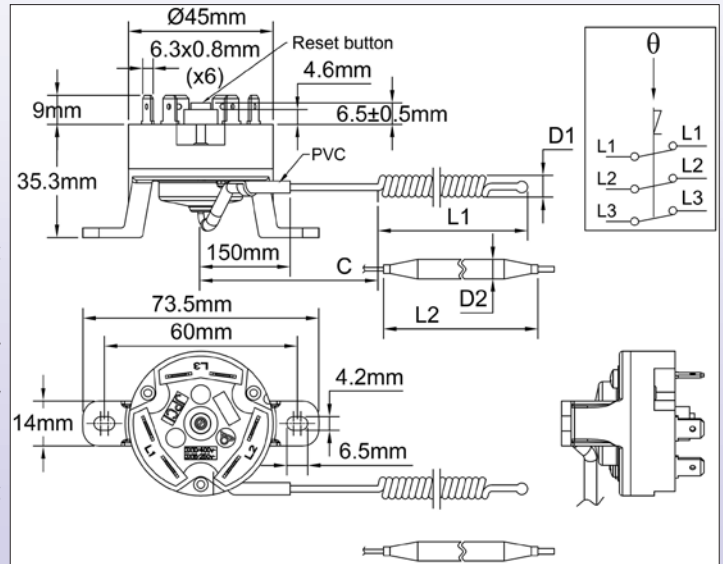


Main bulb and capillary thermostats used in the Y housings

Type 82 3 pole manual reset high limit, fail safe



Housing dimensions: dia 45 x 44.3 mm
Capillary: copper, capillary length 250mm or 900 mm, 150 mm long PVC sleeve on capillary. Capillary minimum bending radius 5 mm. For technical reasons, we do not recommend to use capillary length longer than 900 mm.
Bulb: copper, corkscrew type for temperatures from 60 to 130°C, tubular dia 6 mm from 130°C to 170°C
Temperature sensing element: Liquid-filled thermostatic assembly whose boiling causes tripping of the contact. Therefore, unlike liquid filled systems, these thermostats are sensitive to atmospheric pressure, and their reaction time is slower.
Terminals: 6.35 x 0.8 quick connect terminals
Adjustment: fixed setting
Mounting: Backside legs, 2 M4 screws, holes distance 60 mm
Manual reset: fail safe action, center button
Rating: 3 x16A 250VAC, 3 x10A 400VAC
Contacts: ST, open on temperature rise (snap action contact)
Max ambient temperature on head: 150°C



Main references

Reference	Calibration temperature (°C)	Minimum resettable temperature (°C)	Capillary length (mm)	Bulb diameter (mm)	Bulb length (mm)	Max temperature on bulb (°C)
820060090AI61001	60+/-5	20	900	6	50	90
820060090AA61001	60+/-5	20	250	6	50	90
820070100AI61001	70+/-5	30	900	6	50	100
820080110AI61001	80+/-5	40	900	6	50	110
820090120AI61001	90+/-5	50	900	6	50	120
820110140AI61001	110+/-5	70	900	6	50	140
820130160AI61001	130+/-6	90	900	6	60*	160
820150180AI61001	150+/-7	110	900	6	60*	180
820170200AI61001	170+/-7	130	900	6	60*	200

* Cylinder bulb

Because of permanent improvement of our products, drawings, descriptions, features used on these data sheets are for guidance only and can be modified without prior advice

