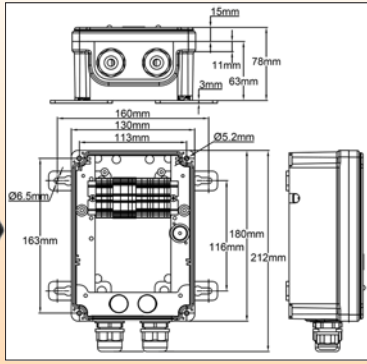


# Complementary Boxes

## Junction or distribution box with cage terminal block.

Din rail mounting



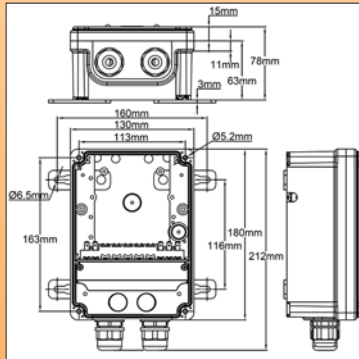
Black opaque lid. The rail, with a clear width of 80mm (100mm for terminal blocks located less than 50mm above the rail), allows the mounting of:

- 18 x 1.5 mm<sup>2</sup> cage junction blocks (4.2mm width without separation, 5.7mm with separation)
- 18 x 2.5 or 4.0 mm<sup>2</sup> cage junction blocks (6.2mm width without separation, 7.7mm with separation)
- 9 x 6.0 mm<sup>2</sup> cage junction blocks (8.0mm width without separation, 9.5mm with separation)
- 7 x 2.5 or 10 mm<sup>2</sup> cage junction blocks (10.2mm width without separation, 11.7mm with separation)
- 2 x PGM25
- Din rail omega
- 2 M20 x 1.5 rear outlets sealed with M20 x 1.5 caps and gaskets
- 4 wall mounting movable brackets
- 10 red plastic seals

References	Equipment
Y8B000S100020J1	Din rail Omega only, clear width 80 mm
Y8B000S110020J1	3 blocks 10mm <sup>2</sup> +
9 blocks 2.5mm <sup>2</sup>	18 blocs 1,5 mm <sup>2</sup> (16 phases+2 terres)
Y8B000S120020J1	18 blocks 1,5 mm <sup>2</sup> (16 phases+ 2 grounds)
Y8B000S130020J1	12 blocks 2,5 mm <sup>2</sup> (10 phases+ 2 grounds)
Y8B000S140020J1	12 blocks 4mm <sup>2</sup> (10 phases+ 2 grounds)
Y8B000S150020J1	9 blocks 6 mm <sup>2</sup> (7 phases + grounds)
Y8B000S160020J1	7 blocks 10 mm <sup>2</sup> (5 phases + 2 grounds)

## Box with Ultimheat terminal block

Can be used as a junction or distribution box or for customer control system integration.

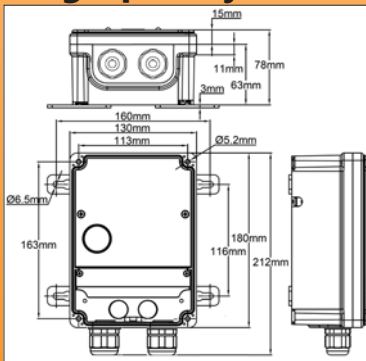


- Ultimheat terminal block 5 x 6mm<sup>2</sup> and 5 x 2,5mm<sup>2</sup> symmetric
- 2 x PGM25
- 2 M20 x 1.5 rear outlets sealed with M20 x 1.5 caps and gaskets
- 4 wall mounting movable brackets
- 10 red plastic seals

Fully wired model: see page 80

References	Equipment
Y8B0001S000020J1	Black lid
Y8T0001S000020J1	Polycarbonate transparent lid
Y8W0001S000020J1	Black lid with transparent polycarbonate window

## Single phase junction box, 3 pre-wired outputs



**Wiring:** power supply Neutral + Phase + Ground on a 6 mm<sup>2</sup> terminal block, and outlets to 3 heating circuit outlets 1.5 or 2.5 mm<sup>2</sup>.

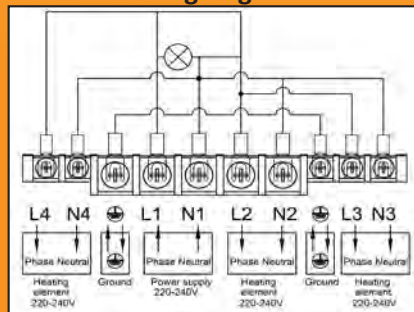
**Indicator lights:** A power supply red light, with high brightness LED is visible under the transparent lid

**The whole wiring is protected against accidental contacts**

- 2 x PGM25
- 2 M20 x 1.5 rear outlets sealed with M20 x 1.5 caps and gaskets
- 4 wall mounting movable brackets
- 10 red plastic seals

Reference	Y8TE303S00002TF1
-----------	------------------

## Wiring diagrams

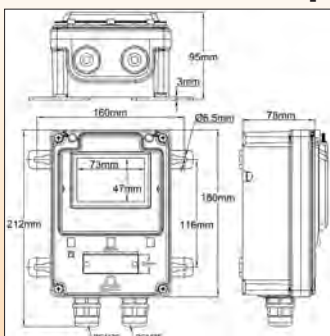
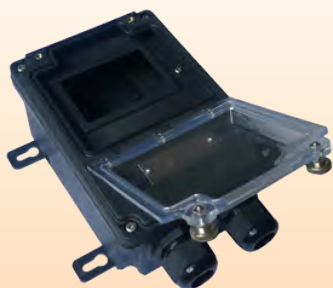


Because of permanent improvement of our products, drawings, descriptions, features used on these data sheets are for guidance only and can be modified without prior advice



# Complementary Boxes

## Box for Ground Fault Circuit Interrupter or Din rail mounting electronic control



Allows mounting of a circuit breaker type Merlin Gerin Multi 9 (UL, CSA, IEC) and equivalent European ranges Vigi C60 or C60 (72mm maximum width = four 18 mm modules), or electronic controllers described in this catalogue

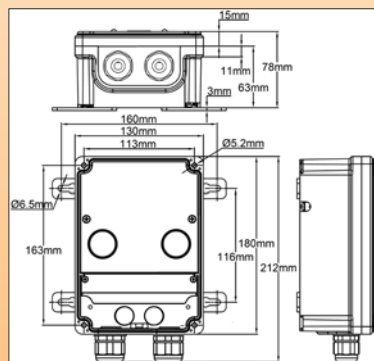
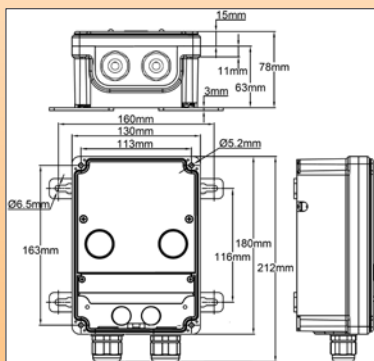
### Box basic equipment:

- 2 x PGM25
- Din rail
- Ground Fault Circuit Interrupter front plate
- 2 M20 x 1.5 rear outlets sealed with M20 x 1.5 caps and gaskets
- Ground block with 4 terminals dia. 5 mm
- 4 wall mounting movable brackets
- 10 red plastic seals

Supplied without GFCI or electronic controller

Reference	Y8WD000S200020F1
-----------	------------------

## Power junction boxes, three phases or three heating elements, with electromagnetic relay, fully wired



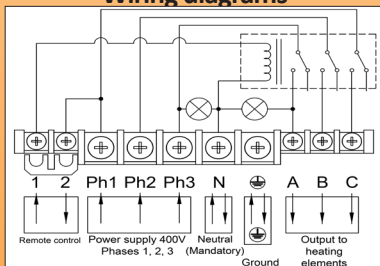
3 x 16A (AC1), 250V, Ultimheat terminal block with 5 terminals 2.5 mm<sup>2</sup> screws and 5 screw terminals 6 mm<sup>2</sup>. Red indicator light for power supply and output green light (250V), transparent lid. Shunts: see page 74

Reference	Y8TE903SC0002PF1
-----------	------------------

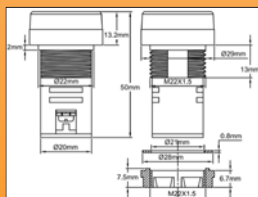
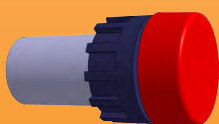
3 x 40A (AC1), 250V, Ultimheat terminal block with 10 cage terminals 10 mm<sup>2</sup> screws and 5 screw terminals 6 mm<sup>2</sup>. Red indicator light for power supply and output green light (250V), transparent lid. Shunts: see page 74 .

Reference	Y8TE904SJ0002RF1
-----------	------------------

### Wiring diagrams



## LED indicator light, 22 mm drilling, steady or flashing modes.

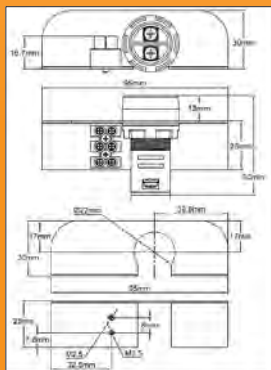


For pre-wired connection boxes

Reference	Description
6YL22230RF00	230V red
6YL22230VF00	230V green
6YL22230RC00	230V red flashing
6YL22230VC00	230V green flashing

Contact us for 120V models

## Alarm indicator light with mounting bracket for aluminum or plastic boxes



Snaps into a rib within the housings. For example: allows to indicate overheating of SSRs in aluminum boxes equipped with alarm thermostats closing on temperature rise..

The bracket includes a 3 x 1.5 mm<sup>2</sup> terminal block.

Reference	Voltage
6YL220000BR	Bracket without light and terminal block
6YL22230RCBR	230V, red flashing light
6YL22230VCBR	230V, green flashing light
6YL22230RFBR	230V, red steady light
6YL22230VFBR	230V, green steady light

Because of permanent improvement of our products, drawings, descriptions, features used on these data sheets are for guidance only and can be modified without prior advice

