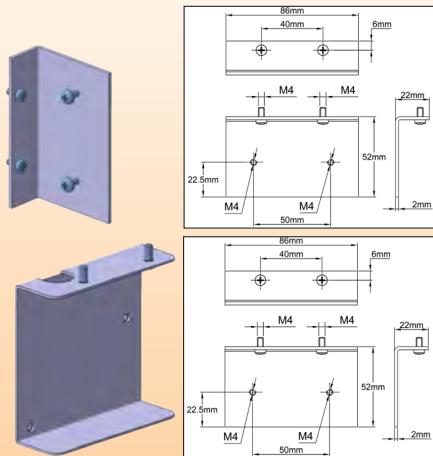
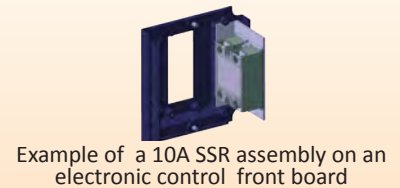


Electromagnetic and solid state relay assembling plates



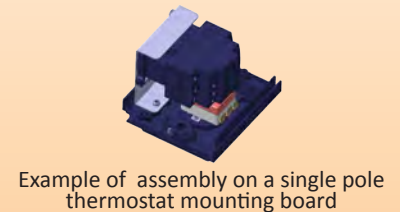
SSR mounting plate on electronic front board . Fits all electronic controllers with SSR output.in this catalog
Material: aluminum.
The kit includes the mounting screws.

Reference	6YREP046110L
-----------	--------------

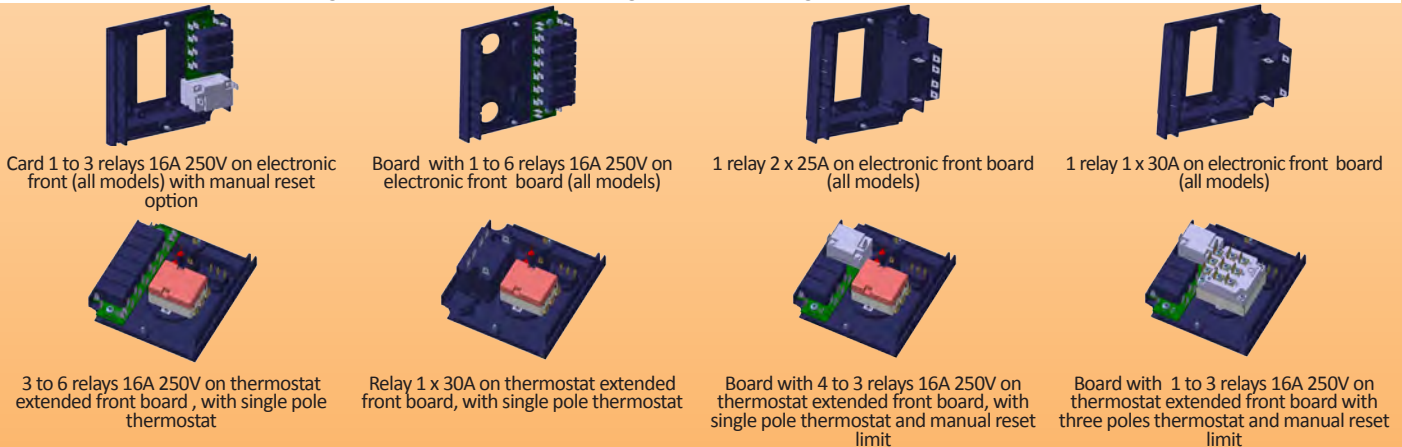


Mounting board for standardized size contactors on thermostat front board. Fits only single pole thermostats versions
Material: aluminum.
The kit includes the mounting screws.

Reference	6YREP076074U
-----------	--------------



Assembly examples of relays and relay cards on control boxes



Assembly examples of relays and relay Boards on distribution boxes



Thermal compound



Reference	Packaging
9GBBK01187W00000	1 kg jar
9GBA080187W00000	*30 ml, 80 grs syringe

Specifications	Value
Appearance	White paste
Density (25°C)	2.7
Viscosity (needle penetration) (1/10mm, 25°C)	250
Weight loss through evaporation (200°C,24h)	≤0.2%
Loss of bond after 24h @ 200°C,	≤0.2%
Volume resistivity (Ω CM)	2×10 ¹⁴
Dielectric value γ(60Hz)	3.8
Dielectric dissipation factor (60Hz)	0.005
Thermal conductivity (W/mk)	≥1.25
Operational temperature range (°C)	-50~300
Maximum critical temperature (°C)	340±10

Recommended for mounting solid state relays, temperature sensors, thermostats and limiters bulbs.
Improves the thermal conduction between pockets and probes, between the surfaces and disc thermostats, temperature sensors and solid state relays.
It is composed of a silicone-based binder and highly conductive pure metal oxide nano-powders, thereby the heat transfer coefficient is exceptionally high. It retains its electrical insulation and thermal conductivity characteristics at high temperatures with almost no separation or evaporation of the silicone binder.
Store away from light
1 year storage at 25°C