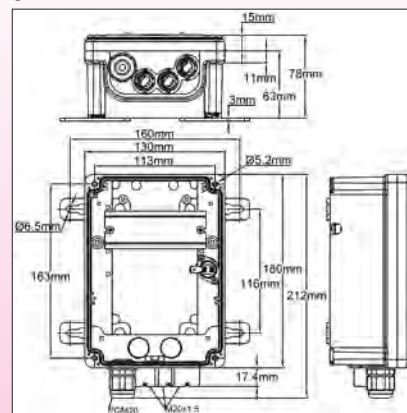
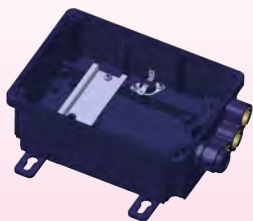


Antifreeze junction box with DIN rail



Housing: IP65, Black PA66 glass fiber reinforced (Standard housing of Y8 series)

Dimensions: 180 x 120 x 78 mm

Cover: Black Polycarbonate

DIN Rail: length 80 mm, allows the mounting of*:

- 18 Cage terminal blocks 1.5 mm²
- 12 Cage terminal blocks 2.5 mm² or 4mm²
- 9 Cage terminal blocks 6 mm²
- 7 Cage terminal blocks for 10 mm²

* Estimation: quantity may vary upon terminal block type and manufacturer

Antifreeze thermostat: Through wall mounted, the temperature sensitive portion is located in a ventilated channel located on the rear side, and mechanically protected. It is not influenced by the housing internal temperature.

Open: 10 ° C + / -4, close: 4 ° C + / -3. Rating 250V 16A, 6.35 QC terminals connection.

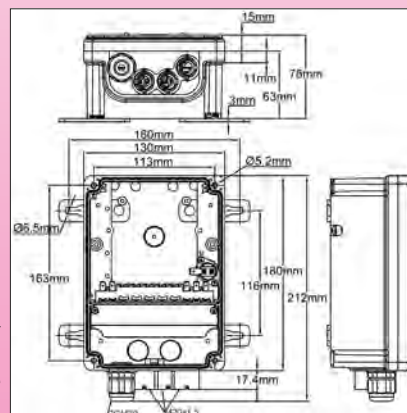
Cable glands: An entry for M20 standard cable gland and three M20x1.5 threaded outputs for flat cables M20 cable gland (see gaskets P110) and 2 rear outputs M20 X 1.5 closed by M20 X 1.5 cap with gasket

Accessories:

- 4 wall mounting removable rear mounting tabs
- 10 red plastic seals

Reference	Y8B000L100020J1
------------------	-----------------

Antifreeze junction box with incorporated connection block



Housing: IP65, Black PA66 glass fiber reinforced (Standard housing of Y8 series)

Dimensions: 180 x 120 x 78 mm

Cover: Black polycarbonate

Connection block: standard Y housings connection block, 5 x 6mm² and 5 x 2.5mm², no internal wiring

Antifreeze thermostat: Through wall mounted, the temperature sensitive portion is located in a ventilated channel located on the rear side, and mechanically protected. It is not influenced by the housing internal temperature.

Open: 10 ° C + / -4, close: 4 ° C + / -3. Rating 250V 16A, 6.35 QC terminals connection.

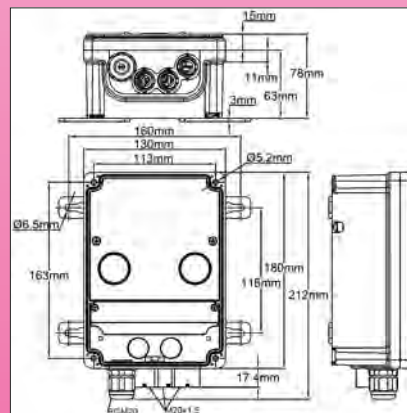
Cable glands: An entry for M20 standard cable gland and three M20x1.5 threaded outputs for flat cables M20 cable gland (see gaskets P110) and 2 rear outputs M20 X 1.5 closed by M20 X 1.5 cap with gasket

Accessories:

- 4 wall mounting removable rear mounting tabs
- 10 red plastic seals

Reference	Y8B00E1SK00020J1
------------------	------------------

Fully wired antifreeze junction box, 16A 250V, 3 outputs



Housing: IP65, Black PA66 glass fiber reinforced (Standard housing of Y8 series)

Dimensions: 180 x 120 x 78 mm

Cover: Clear polycarbonate

Connection block: standard Y housings connection block, 5 x 6mm² and 5 x 2.5mm².

Antifreeze thermostat: Through wall mounted, the temperature sensitive portion is located in a ventilated channel located on the rear side, and mechanically protected. It is not influenced by the housing internal temperature.

Open: 10 ° C + / -4, close: 4 ° C + / -3. Rating 250V 16A, 6.35 QC terminals connection.

Wiring: protected against accidental hand contact by an internal cover. Includes power supply line with Phase, Neutral and ground on 6mm² terminals, and outputs for 3 heating circuits.

Pilot lights: 230V High luminosity LED, located under the clear cover. Green indicates power supply and red indicates power output.

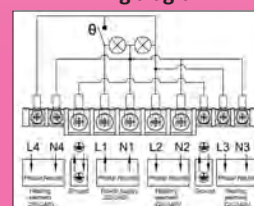
Cable glands: An entry for M20 standard cable gland and three M20x1.5 threaded outputs for flat cables M20 cable gland (see gaskets P110) and 2 rear outputs M20 X 1.5 closed by M20 X 1.5 cap with gasket

Accessories:

- 4 wall mounting removable rear mounting tabs
- 10 red plastic seals

Reference	Y8TE903SK0002UF1
------------------	------------------

Wiring diagram



Because of permanent improvement of our products, drawings, descriptions, features used on these data sheets are for guidance only and can be modified without prior advice

