

5

ULTIMHEAT®



PRESSURE SWITCHES

Air switches
Positive Pressure switches
Vacuum pressure switches
Differential pressure switches

Elastomer membrane types, medium pressure range
(20 to 1500 mbar)

The professional solution: an extended, rational, and consistent range of products

Technical catalogue for R&D department

Edition 31/05/2013



E-Mail: info@ultimheat.com Web: www.ultimheat.com



Differential pressure switches



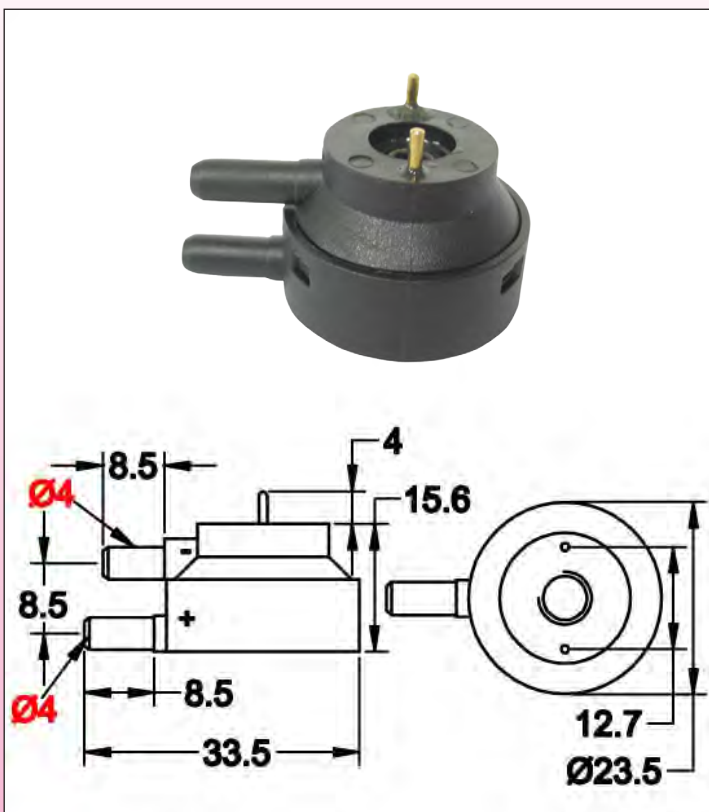


En raison de l'évolution technique constante de nos produits, les plans, dessins, photos et caractéristiques repris dans les pages techniques sont communiqués sans engagement et peuvent être modifiés sans préavis



Low pressure, slow action contact differential pressure switches for it printed circo boards with 6.35mm pitch SPNO contact : Type ZH

DIMENSIONS



Uses: Low voltage, high sensivity

Main applications: Electronic printed circuits. Detection of low positive, negative or differential pressure. Measurement of liquid levels, air flow, filters efficiency. Very small differential, about 2 millibars

Membranes: EPDM, dia 22 mm. Silicone or NBR on request

Fluid: water or air (no liquid input on the negative pressure inlet)

Fitting: two plastic spouts dia 4 mm for soft PVC tube 3x6 mm (1/8")

Pressure: Differential

Housing: PA66, UL94 VO

Contact: single pole normally open, slow action.

Electrical rating:

- Silver contact: max 1A 250V

- Gold plated contact: max 100 mA, 24V

Action: momentary, close by pressure rise on positive pressure inlet

Set point calibration: factory calibrated and sealed, not field adjustable

Set point calibration limits: from 10 to 400 mbar

Differential: less than 5 mbar

Electrical connection: printed circuit terminal, dia 1.2 mm, 12.7mm spacing

Maximum pressure: 500 mbar (7 PSI)

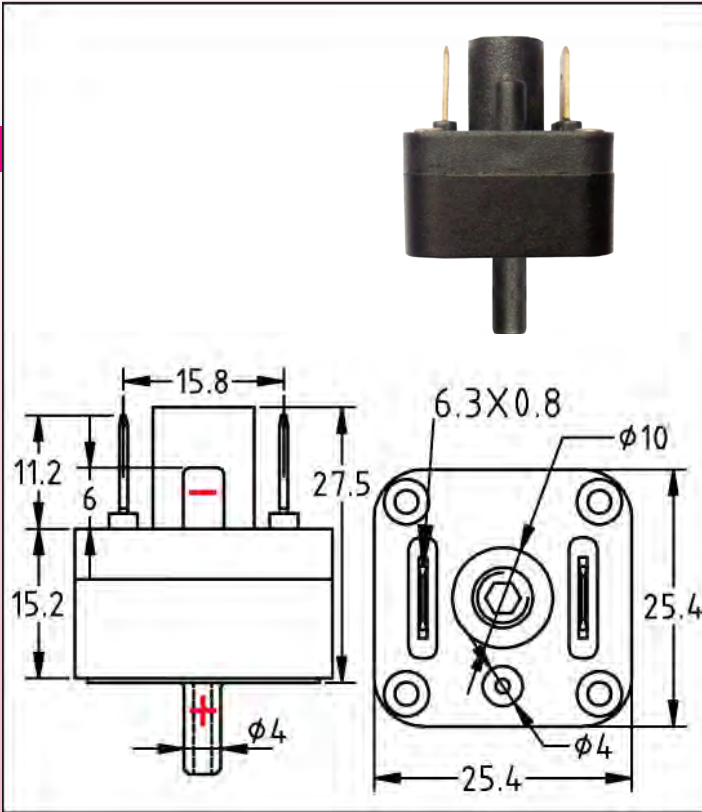
Ambient temperature limits: 0 to 85°C

References:

Calibration (mbar)	Silver contact	Gold plated contact
20	ZH2X25T102000000	ZH2X25TG02000000
50	ZH2X25T105000000	ZH2X25TG05000000
75	ZH2X25T107500000	ZH2X25TG07500000
100	ZH2X25T10A000000	ZH2X25TG0A000000
150	ZH2X25T10A500000	ZH2X25TG0A500000

Medium pressure, slow action contact differential pressure switches, 6.35x0.8 mm terminals SPNO contact : Type ZA

DIMENSIONS



Uses: Low voltage, high sensitivity

Main applications: Detection of medium positive, negative or differential pressure. Measurement of liquid levels, water filters efficiency.

Membranes: EPDM, dia 22 mm. Silicone or NBR on request

Fluid: water or air (no liquid input on the negative pressure inlet)

Fitting: two plastic spouts dia 4 mm for soft PVC tube 3x6 mm (1/8"). On request threaded fitting on positive inlet

Pressure: Differential

Housing: PA66, UL94 VO

Contact: single pole normally open, slow action. NC contact is available on request (MOQ)

Electrical rating:

- Silver contact: max 1A 250V

- Gold plated contact: max 100 mA, 24V

Action: momentary, close by pressure rise on positive pressure inlet

Set point calibration: factory calibrated and sealed, not field adjustable

Set point calibration limits: from 10 to 400 mbar

Differential: less than 10 mbar

Electrical connection: two 6.3 x 0.8 mm quick connect terminals

Maximum positive pressure: 1000 mbar (15 PSI)

Maximum negative pressure: minus 500 mbar

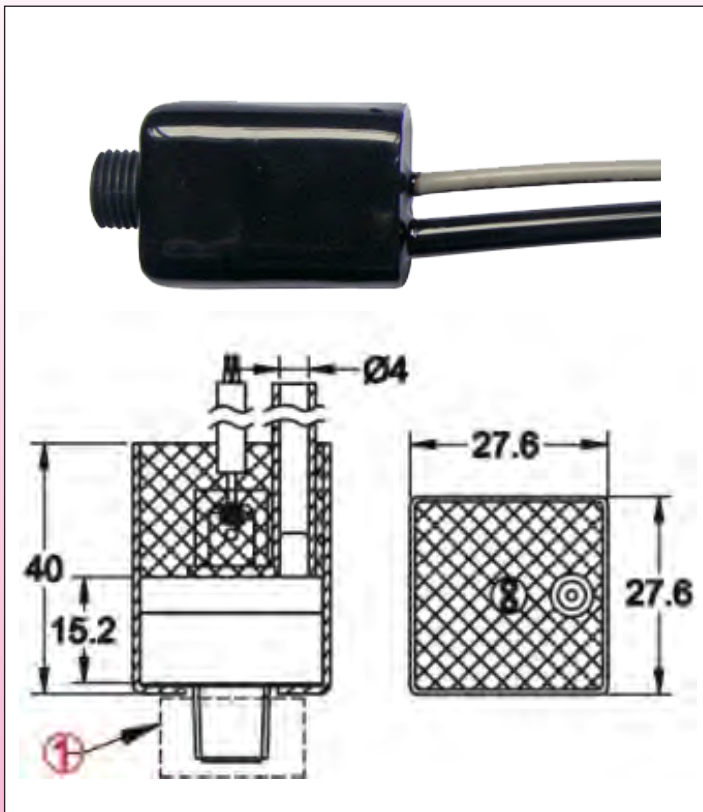
Ambient temperature limits: 0 to 85°C

References:

Calibration (mbar)	Silver contact	Gold plated contact
75	ZA2X24EA07500000	ZA2X24EG07500000
100	ZA2X24EA0A000000	ZA2X24EG0A000000
200	ZA2X24EA0B000000	ZA2X24EG0B000000
300	ZA2X24EA0C000000	ZA2X24EG0C000000
400	ZA2X24EA0D000000	ZA2X24EG0D000000

Medium pressure, slow action contact differential pressure switches , waterproof, IP65 SPNO contact : Type ZC

DIMENSIONS



Uses: Low voltage, high sensitivity . For use in places where IP65 is requested

Main applications: Detection of medium positive, negative or differential pressure. Measurement of liquid levels, water filters efficiency.

Membranes: EPDM, dia 22 mm. Silicone or NBR on request

Fluid: water or air (no liquid input on the negative pressure inlet)

Fitting: soft PVC tube 3x6 mm (1/8") length 200 mm on negative inlet. 4 mm diameter spout or plastic fitting on positive inlet.

Pressure: Differential

Housing: PA66, UL94 VO, PVC and ABS

Contact: single pole normally open, slow action. NC contact is available on request (MOQ)

Electrical rating:

- Silver contact: max 1A 250V

- Gold plated contact: max 100 mA, 24V

Action: momentary, close by pressure rise on positive pressure inlet

Set point calibration: factory calibrated and sealed, not field adjustable

Set point calibration limits: from 10 to 400 mbar

Differential: less than 10 mbar

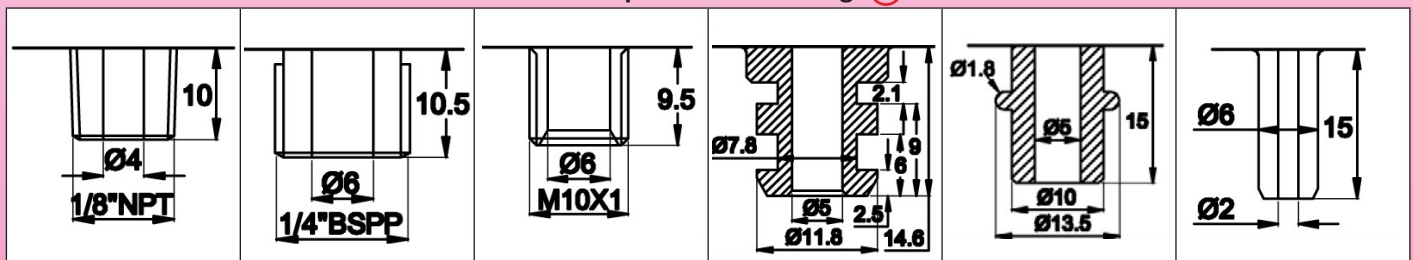
Electrical connection: 500 mm cable, AWG24, UL style 2464

Maximum positive pressure: 1000 mbar (15 PSI)

Maximum negative pressure: minus 500 mbar

Ambient temperature limits: 0 to 85°C

Available pressure inlet fittings ①



References (with calibration at 300 mbar):

Pressure inlet	Silver contact	Gold plated contact
1/8" NPT	ZC2X28EA0C000000	ZC2X28EG0C000000
1/4" BSPP	ZC2X2QEA0C000000	ZC2X2QEG0C000000
M10 x 1	ZC2X2MEA0C000000	ZC2X2MEG0C000000
Snap in fitting, 2 grooves dia 7.8	ZC2X2TEA0C000000	ZC2X2TEG0C000000
Snap in fitting, 1 groove dia 10	ZC2X2ZEA0C000000	ZC2X2ZEG0C000000
Snap in fitting, 1 spout dia 6 mm	ZC2X2AEA0C000000	ZC2X2AEG0C000000
4 mm dia spout for 3x6 mm PVC tube	ZC2X24EA0C000000	ZC2X24EG0C000000

Other set point values: replace C00 in the product reference by the requested value in mbar





En raison de l'évolution technique constante de nos produits, les plans, dessins, photos et caractéristiques repris dans les pages techniques sont communiqués sans engagement et peuvent être modifiés sans préavis

