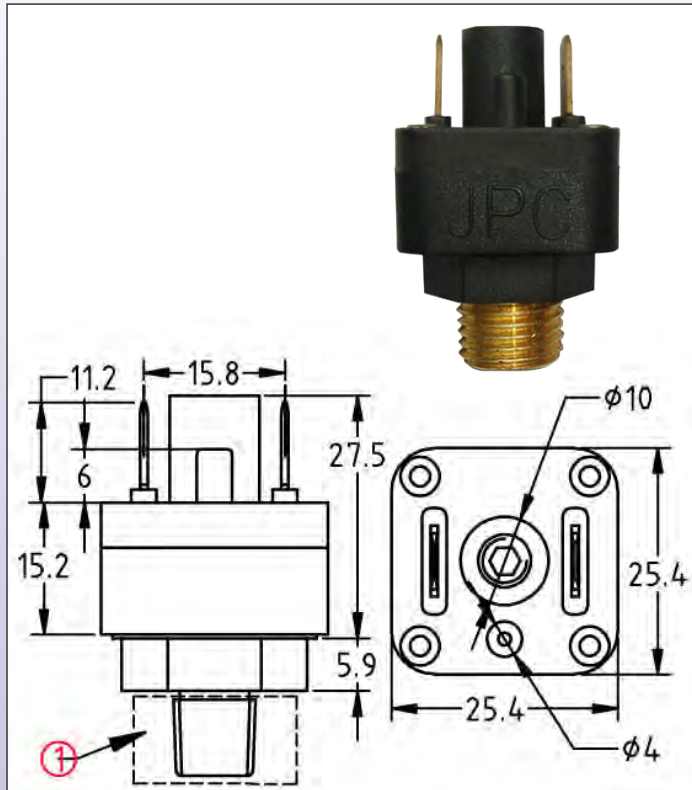


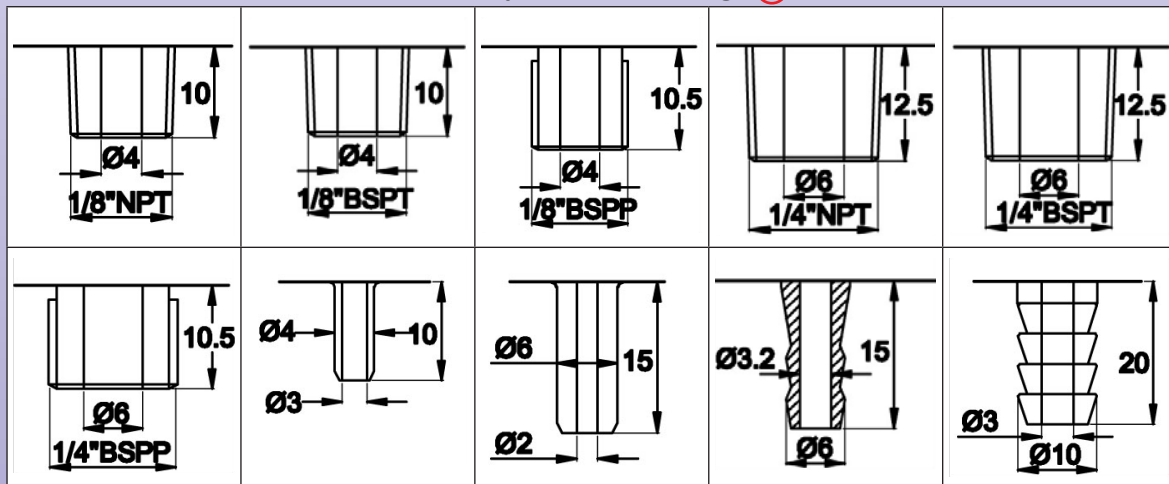
Slow action contact miniature pressure switches, 6.3 x 0.8 mm QC terminals , metal fitting SPNO contact : Type ZA

DIMENSIONS



Uses: Low voltage, high sensitivity
Main applications: Electronic printed circuit. This pressure switch is more sensible than snap action models and can be calibrated at lower pressure values. Very small differential.
Membranes: EPDM, dia 22 mm. Silicone or NBR on request
Fluid: water or air
Fitting: Brass (stainless steel on request)
Pressure: positive
Housing: PA66, UL94 VO
Contact: single pole normally open, slow make.
Electrical rating:
 - Silver contact: max 1A 250V
 - Gold plated contact: max 100 mA, 24V
Action: momentary, close on pressure rise.
Set point calibration: factory calibrated and sealed, not field adjustable
Set point calibration limits: standard calibration 150mbar, other values are achievable from 100 to 1300 mbar
Electrical connection: 6.35 x 0.8 mm quick connect terminals
Maximum pressure: 2 bars (29 PSI)
Ambient temperature limits: 0 to 85°C

Available pressure inlet fittings ①



References (with calibration at 150 mbar and brass fitting):

Pressure inlet	Silver contact	Gold plated contact
1/8" NPT	ZA2X2REA0A500000	ZA2X2REG0A500000
1/8" BSPT	ZA2X2PEA0A500000	ZA2X2PEG0A500000
1/8" BSPP	ZA2X2LEA0A500000	ZA2X2LEG0A500000
1/4" NPT	ZA2X2CEA0A500000	ZA2X2CEG0A500000
1/4" BSPT	ZA2X2SEA0A500000	ZA2X2SEG0A500000
1/4" BSPP	ZA2X22EA0A500000	ZA2X22EG0A500000
Smooth spout dia 4 mm	ZA2X23EA0A500000	ZA2X23EG0A500000
Spout dia 6 mm	ZA2X27EA0A500000	ZA2X27EG0A500000
Fluted spout dia 6 mm	ZA2X2JEA0A500000	ZA2X2JEG0A500000
Barbed spout dia 10 mm	ZA2X29EA0A500000	ZA2X29EG0A500000

Other set point values: replace A50 in the product reference by the requested value in mbar

