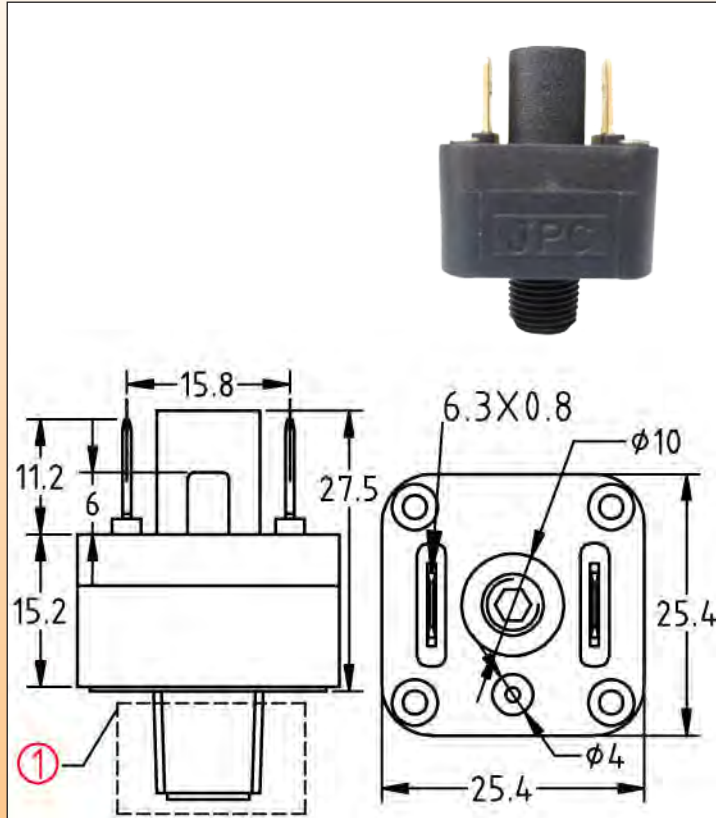


Slow action contact miniature vacuum switches, 6.35 x 0.8 mm terminals, plastic fitting SPNC contact : Type ZF

DIMENSIONS



Uses: Low voltage, high sensitivity

Main applications: Electronic printed circuit. This vacuum switch is more sensible than snap action models and can be calibrated at lower pressure values. Very small differential.

Membranes: EPDM, dia 22 mm. Silicone or NBR on request

Fluid: air or water

Fitting: Plastic

Pressure: negative (Vacuum)

Housing: PA66, UL94 VO

Contact: single pole normally closed at atmospheric pressure, slow break.

Electrical rating:

- Silver contact: max 1A 250V

- Gold plated contact: max 100 mA, 24V

Action: momentary, open on vacuum increase (=decrease of absolute pressure).

Set point calibration: factory calibrated and sealed, not field adjustable

Set point calibration limits (relative pressure): standard calibration minus 50mbar, other values are achievable from minus 20 to minus 200 mbar

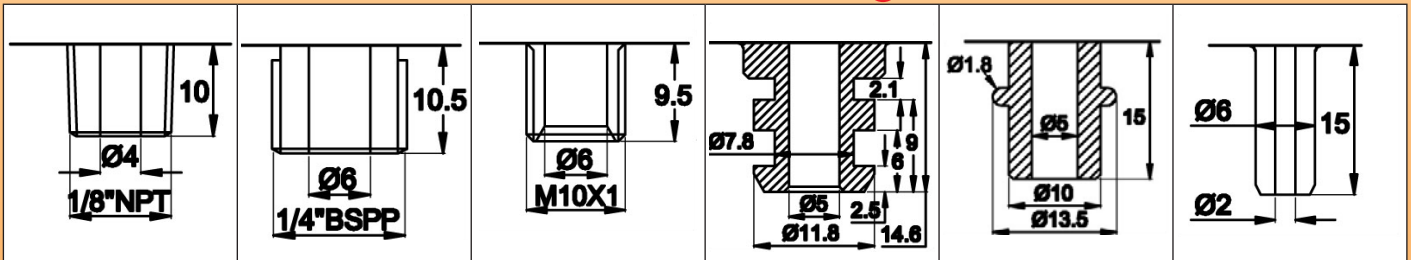
Electrical connection: two 6.35 x 0.8 mm quick connect terminals

Maximum pressure: 2 bars (29 PSI)

Maximum vacuum: minus 500 mbar (relative pressure)

Ambient temperature limits: 0 to 85°C

Available pressure inlet fittings ①



References (with calibration at minus 50 mbar):

Pressure inlet	Silver contact	Gold plated contact
1/8" NPT	ZF2X18EA05000000	ZF2X18EG05000000
1/4" BSPP	ZF2X1QEA05000000	ZF2X1QEG05000000
M10 x 1	ZF2X1MEA05000000	ZF2X1MEG05000000
Snap in fitting, 2 grooves dia 7.8	ZF2X1TEA05000000	ZF2X1TEG05000000
Snap in fitting, 1 groove dia 10	ZF2X1ZEA05000000	ZF2X1ZEG05000000
Snap in fitting, 1 spout dia 6 mm	ZF2X1AEA05000000	ZF2X1AEG05000000

Other set point values: replace 050 in the product reference by the requested value in mbar

