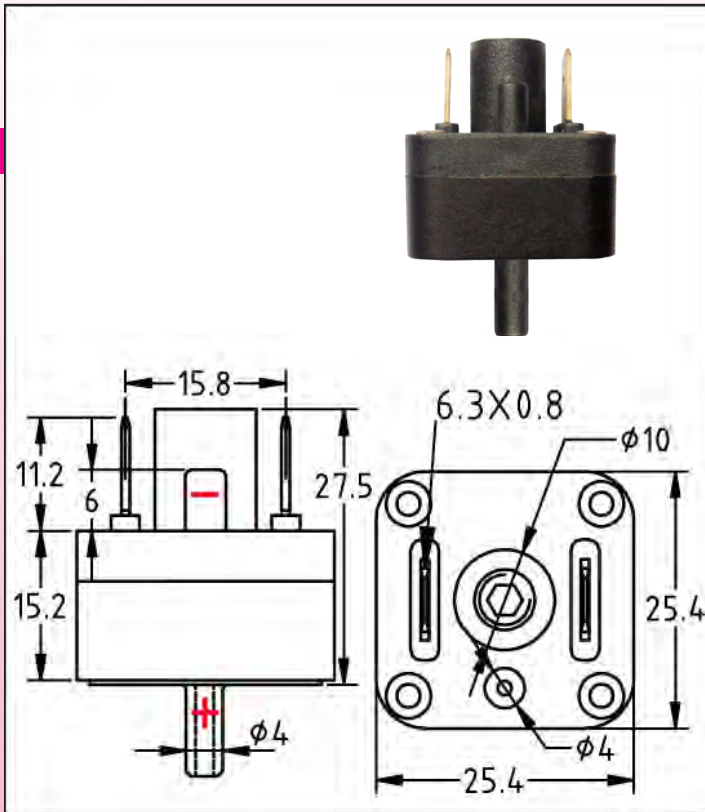


# Medium pressure, slow action contact differential pressure switches, 6.35x0.8 mm terminals

## SPNO contact : Type ZA

### DIMENSIONS



**Uses:** Low voltage, high sensitivity

**Main applications:** Detection of medium positive, negative or differential pressure. Measurement of liquid levels, water filters efficiency.

**Membranes:** EPDM, dia 22 mm. Silicone or NBR on request

**Fluid:** water or air (no liquid input on the negative pressure inlet)

**Fitting:** two plastic spouts dia 4 mm for soft PVC tube 3x6 mm (1/8"). On request threaded fitting on positive inlet

**Pressure:** Differential

**Housing:** PA66, UL94 VO

**Contact:** single pole normally open, slow action. NC contact is available on request (MOQ)

**Electrical rating:**

- Silver contact: max 1A 250V

- Gold plated contact: max 100 mA, 24V

**Action:** momentary, close by pressure rise on positive pressure inlet

**Set point calibration:** factory calibrated and sealed, not field adjustable

**Set point calibration limits:** from 10 to 400 mbar

**Differential:** less than 10 mbar

**Electrical connection:** two 6.3 x 0.8 mm quick connect terminals

**Maximum positive pressure:** 1000 mbar (15 PSI)

**Maximum negative pressure:** minus 500 mbar

**Ambient temperature limits:** 0 to 85°C

### References:

Calibration (mbar)	Silver contact	Gold plated contact
75	ZA2X24EA07500000	ZA2X24EG07500000
100	ZA2X24EA0A000000	ZA2X24EG0A000000
200	ZA2X24EA0B000000	ZA2X24EG0B000000
300	ZA2X24EA0C000000	ZA2X24EG0C000000
400	ZA2X24EA0D000000	ZA2X24EG0D000000