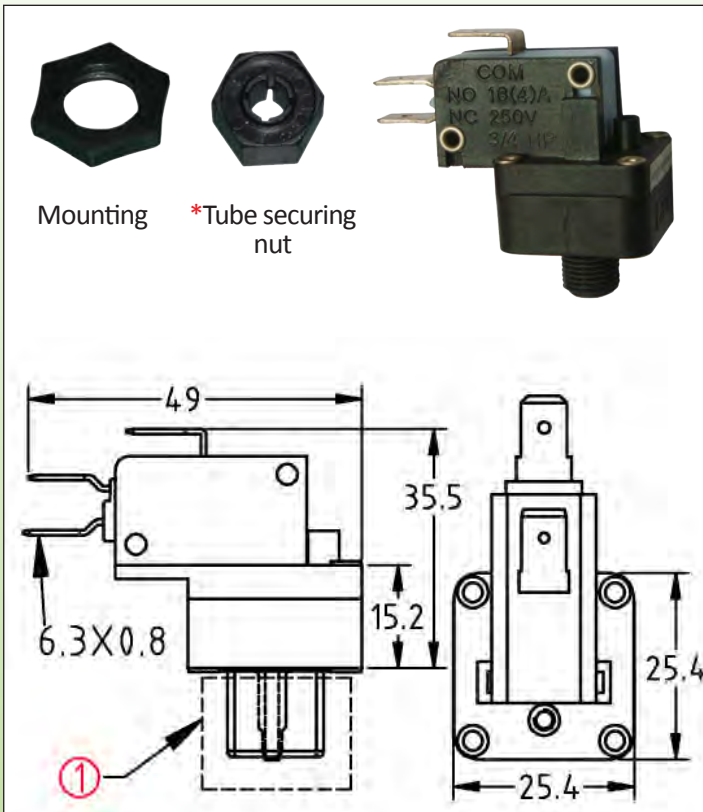


# Snap action contact airswitch, high electrical rating

## Momentary or alternate action : Type ZP

### DIMENSIONS



**Uses:** High electrical rating, for 250V.

**Main applications:** Direct actuating of pumps and blowers in spas and swimming pools, sink erasers, professional or home appliances used with risks of water splashing. Resist to spas and swimming pools ozone concentration.

**Membranes:** EPDM, dia 22 mm. Silicone or NBR on request. Double membrane on request.

**Fluid:** air

**Fitting:** Plastic spout for 1/8(3mm) or 1/16(1.5mm) ID flexible plastic tubing maximum hardness 70 shore A

**Pressure:** positive

**Housing:** PA66, UL94 VO and ABS

**Contact:** SPNO or SPDT, snap action. SPNC contacts available with MOQ

**Electrical rating:** Depends on micro-switch operating force that is linked to the electrical rating

- Standard rating micro-switch (medium and high pressure calibration only): 16A 125/250VAC; 1/2HP 125VAC; 3/4HP 250VAC

- High rating micro-switch (medium and high pressure calibration only): 2HP 240V, 21(8) A 240V (UL, CSA VDE switch)

- Low force micro-switch (set points less than 150 mbar): 1/4HP 6(1) A 240V (UL, CSA VDE switch)

- On request: up to 25A 250V

**Action:** momentary or alternate (Latching). Electrical connection: 6.35 x 0.8 mm quick connect terminals

**Maximum pressure:** 4 bars (58 PSI)

**Ambient temperature limits:** 0 to 85°C

**Barometric compensation:** groove on 4 mm spout for 1/4 NPSM, calibrated orifice on 9/16-18

**Caution:** This compensation is skipped if using 1/4 thread for pressure connection

**Mounting fittings:** 1/4" NPSM or 9/16-18 (2 possible flat positions)

**Switch operation:** Operates on a sealed pressure air displacement. Do not use pressure transmitters with air input to avoid pumping action.

Use air transmitters with enough air volume to achieve minimum operating pressure.

**Caution:** too long connecting tubing and/or too small pressure transmitter will not operate the air switch or will operate it with a momentary action.

**Accessories:** shipped with plastic nut. Maximum tightening torque with plastic nut is 0.08mkg (0.8Nm).

**Recommended value:**

0.5 Nm . Stainless steel nut or tube securing nut (\*) on request

Available pressure inlet fittings ①	Mounting	*Tube securing nut

### References (SPNO contact)

Pressure inlet	Standard rating micro-switch	Low pressure micro-switch	High rating micro-switch
9/16-18+ spout, 2 flats at 0°, standard nut	ZP153UU100000008	ZP103UU500000008	ZP173UU600000008
9/16-18+ spout, 2 flats at 90°, standard nut	ZP153WU100000008	ZP103WU500000008	ZP173WU600000008
1/4 NPSM + spout, standard nut	ZP153IU100000006	ZP103IU500000006	ZP173IU600000006
9/16-18+ spout, 2 flats at 0°, tube securing nut	ZP153UU100000009	ZP103UU500000009	ZP173UU600000009
9/16-18+ spout, 2 flats at 90° tube securing nut	ZP153WU100000009	ZP103WU500000009	ZP173WU600000009
1/4 NPSM + spout, tube securing nut	ZP153IU100000007	ZP103IU500000007	ZP173IU600000007

SPDT contacts: replace the fifth character "2" in the reference by "3"