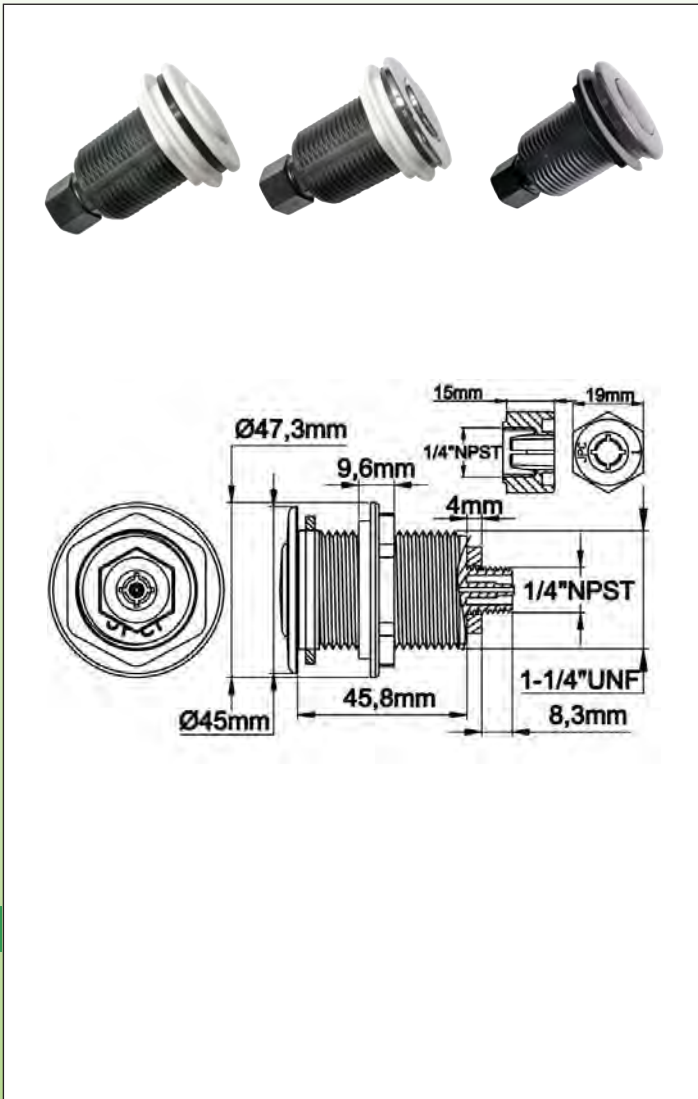


# Air buttons (air transmitters) TYPE: 66ZM5

## DIMENSIONS



**Use:** Remote operation of air switches. This pneumatic switching technology safely isolates the user from the electrical current. The air transmitters provide the pulse air pressure needed to operate a remote air switch

**Typical applications:** Spas, swimming pools, electrical equipment remote operating of electrical devices on/off including motors, lights, pumps, air blowers, or other associated equipment.

**Operating distance:** With appropriate tubing, these hand actuation transmitters can operate air switches from distances of up to 30 meters (100 feet.)

**Air volume:** 11 cm<sup>3</sup>

**Button and bezels:** ABS, Ozone and UV resistant, low profile dome design, interchangeable.

**Standard Color:** Black, White (Bone) and nickel plated. Any other color and finish can be made with MOQ (consult factory).

**Mounting:** Through tub wall, with 1"1/4-12 UNF nut and flat NBR gasket.

**Mounting hole:** Drill a dia. 32+1/-0 mm (1"1/4) hole. The 1"1/4 nut is staggered to allow using this button for replacement into preexisting dia. 37.3+/-1 mm holes.

**Wall thickness:** From 2 mm to 45 mm (1/16" to 1-5/8").

**Cylinder material:** ABS; ozone and UV resistant.

**Gasket:** NBR.

**Nut:** ABS.

**Bellow:** EPDM, impervious to ozone and chemically treated swimming pool and spa water. No micro leak to avoid pumping action with air switches. Stainless steel spring.

**Tube connection:** Spout for 3 mm or 1.7 mm (1/8" or 1/16" I.D) flexible PVC or rubber tubing. We recommend tube securing nut to avoid accidental tubing disconnection.

**Mechanical life:** > 100.000 cycles.

**Ambient temperature:** -20+85°C

**Spare parts:** Cylinder assembly, button and bezel kit are available separately.

**Options:** Custom buttons with logo.

### References

Model	Black (RAL9005)	Nicked plated	White (RAL9003)
With tube securing nut	66ZM500060510000	66ZM500060710000	66ZM500060410000
Without tube securing nut	66ZM500060500000	66ZM500060700000	66ZM500060400000