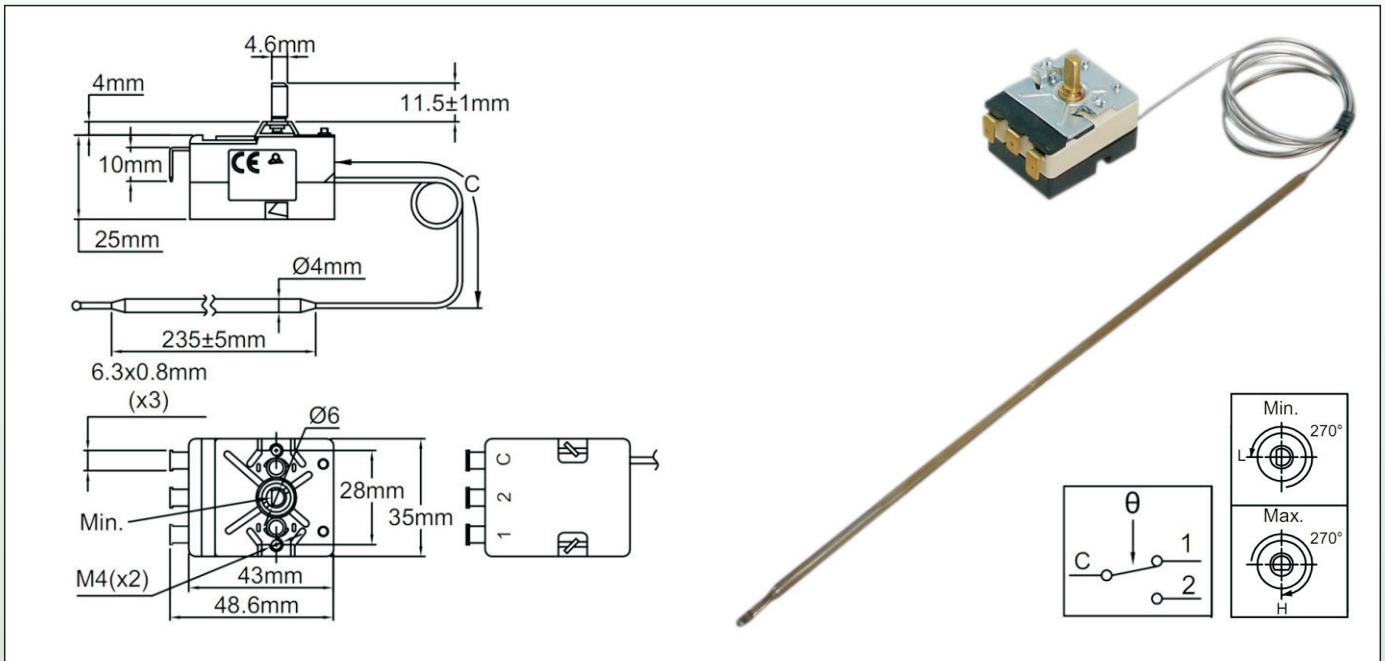


**2015 New products**  
**Bulb and capillary thermostat, temperature range 60-500°C**  
**Type 8GB060500**



**Applications**

Thermostats for furnaces and ovens which the operating temperature is higher than 320°C, such as pizza ovens. Their temperature resistance is outstanding.

**Main features**

**Housing dimensions:** 43 x 35 x 29 mm (without terminals)

**Bulb and capillary:** Stainless steel. Capillary minimum bending radius 5 mm.

**Temperature sensing element:** liquid metalloid filled.

**Terminals:** 6.35 x 0.8 quick connect terminals. M4 screws also available on request.

**Adjustment:** Dia. 6 mm shaft with 4.6 mm flat, length 11.5 mm. Other lengths, screw driver adjustment or fixed setting available on request.

**Mounting:** Front bracket with 2 x M4 threads, 28 mm distance

**Contact:** SPDT

**Electrical rating:**

- Open on temperature rise contact (C-1) 16A(2.6) 250VAC

- Close on temperature rise contact (C-2) 6A(0.6) 250VAC

**Electrical life:** >100.000 cycles.

**Main references**

| Reference        | Temperature range    | Capillary length (C, mm) | Bulb diameter (mm) | Bulb length (mm) | Differential      | Max temperature on bulb |
|------------------|----------------------|--------------------------|--------------------|------------------|-------------------|-------------------------|
| 8GB060500AN40000 | 60-500°C (140+930°F) | 1400                     | 4                  | 235              | 12±6°C (21±10 °F) | 550°C (1000°F)          |
| 8GB060500AG40000 | 60-500°C (140+930°F) | 750                      | 4                  | 235              | 12±6°C (21±10 °F) | 550°C (1000°F)          |
| 8GB060500AE40000 | 60-500°C (140+930°F) | 500                      | 4                  | 235              | 12±6°C (21±10 °F) | 550°C (1000°F)          |

Other temperature ranges available on request.

**Printed knobs and accessories**

| Knob printings   |                  | Knob sizes      | Bezels    |                   |                 |
|------------------|------------------|-----------------|-----------|-------------------|-----------------|
| 60-500°C         | 140-930°F        | PC + Santoprene | Black ABS | Chrome plated ABS | Stainless steel |
|                  |                  |                 |           |                   |                 |
| 66MZ0060605001FW | 66MZ0060605001FX | 66MZ0060*****   | 66EN1     | 66EN3             | 66EN2           |

Because of permanent improvement of our products, drawings, descriptions, features used on these data sheets are for guidance only and can be modified without prior advice