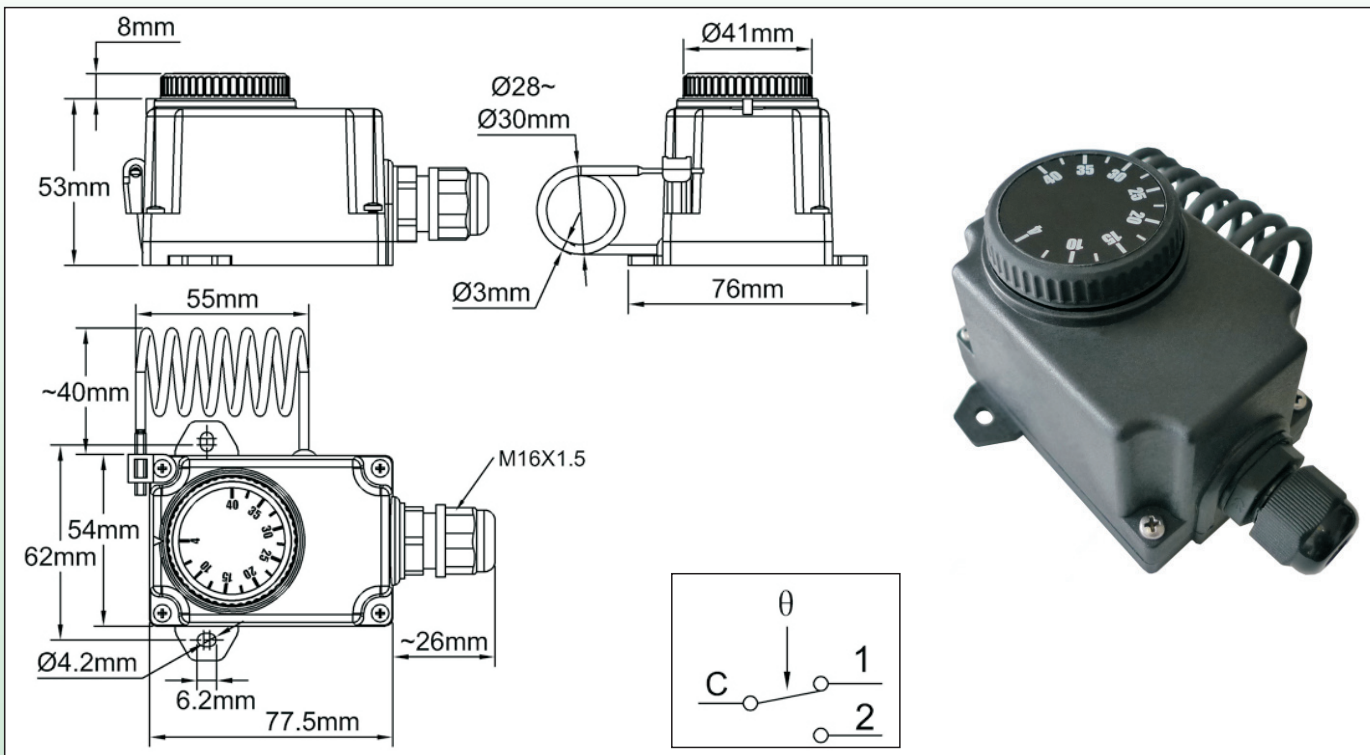


2015 New products
“Pigtail” bulb room thermostat, IP44 enclosure
Type Y0308G



Applications

Ambient temperature control in professional premises where good protection against liquid splashes or dust is requested. Used in technical rooms, livestock premises, as frost protection or temperature control of heating or ventilation.

Main features

Housing: IP44, 77.5 x 54 x 53 mm, (Knob and cable gland not included), black PC-ABS, UL94V0. High impact and UV resistance. 2 removable wall mounting lugs.

Electrical input: M16 cable gland.

Temperature Adjustment: With °C or °F printed knob.

Sensing element: Liquid filled “pigtail” bulb, mounted on the side of plastic housing

Adjustment ranges: 4-40°C (40-105°F).

Electrical connections: screw terminals

Mounting: Wall mounting, by two side lugs with holes for dia. 4mm screws, 62 mm distance.

Contact: SPDT

Electrical rating:

- Open on temperature rise contact (C-1) 16A(2.6) 250VAC
- Close on temperature rise contact (C-2) 6A(0.6) 250VAC
- Electrical life > 100.000 cycles.

Main references

References	Temperature ranges	Differential	Max ambient temperature
Y308GA004040QB3J	4-40°C	3±2 °C	60°C
Y308GA004040QB3K	40-105°F	5.5±4°F	140°F

Knob printings

°C Printing	°F Printing
4-40°C	40-105°F

Because of permanent improvement of our products, drawings, descriptions, features used on these data sheets are for guidance only and can be modified without prior advice