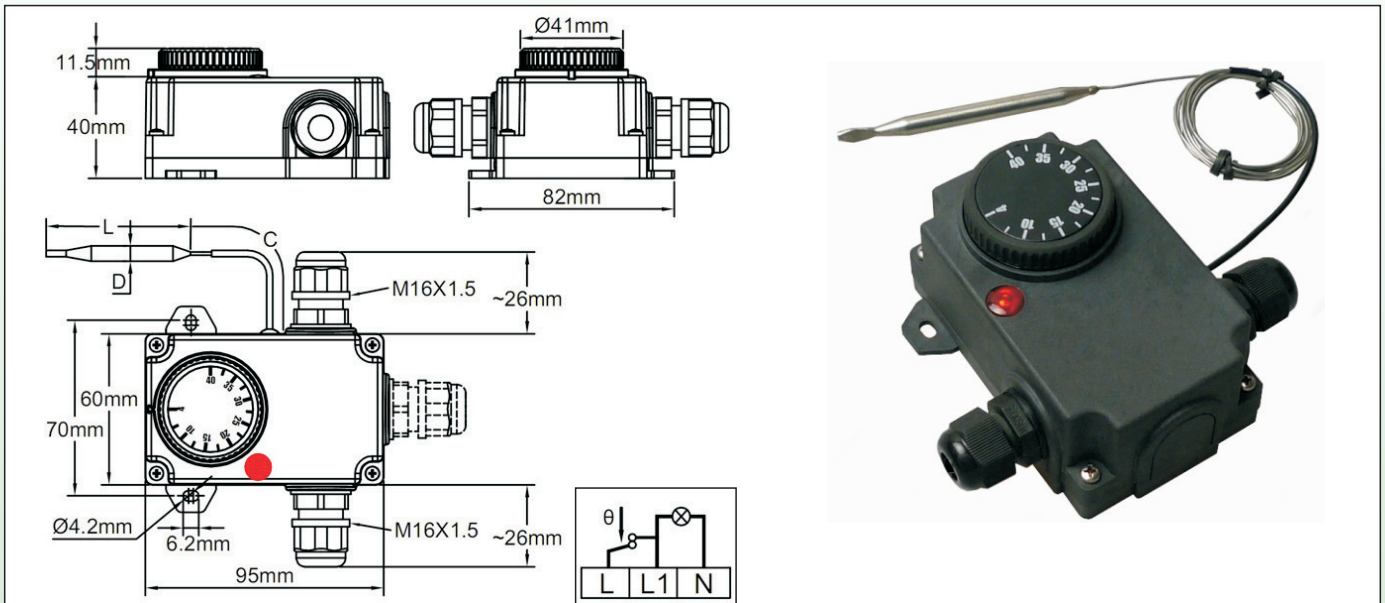


2015 New products
Bulb and capillary thermostat, 2 or 3 cable gland IP44 enclosure,
for heat control, with built-in pilot light.
Type Y0A



Applications

Distance temperature control in professional premises where good protection against liquid splashes or dust is requested. Output with 2 or 3 cable glands, allowing direct connection of heat tracing cables, radiators or immersion heaters.

Housing: Small height, IP44, 95 x 60 x 40 mm, (Knob and cable glands not included), black PC-ABS, UL94V0. High impact and UV resistance. 2 removable wall mounting lugs.

Electrical input: M16 cable glands. Delivered with 2 cable glands (3 on request). Positioning the cable glands allows variations in the mounting position

Temperature adjustment: With °C printed knob. (°F printed knobs available in option)

Sensing element: Liquid filled bulb, distance measurement with capillary.

Adjustment ranges: -35+35°C (-30+95°F), 4-40°C (40-105°F), 30-90°C (85-195°F), 30-110°C (90-230°F), 50-200°C (120-390°F), 50-300°C (120-570°F)

Capillary length: 1.5 m

Electrical connections: On screw terminals. (It is possible to connect 2 wires 1.5mm² on each terminal.)

Mounting: Wall mounting, by two side lugs with holes for dia. 4mm screws, 70mm distance.

Contact: SPNC (open on temperature rise). One terminal is available for neutral connection. SPDT contact available on request but it is not compatible with neutral terminal and pilot light.

Electrical rating: 16A(2.6) 250VAC

-Electrical life > 100.000 cycles.

Main references with 2 cable glands*

°C		°F		Bulb diameter (D, mm)	Bulb length (L, mm)	Differential	Max temperature on bulb
References (°C)	Temperature ranges (°C)	References (°F)	Temperature ranges (°F)				
Y0A8GD-35035AO6J	-35+35°C	Y0A8GD-35035AO6K	-30+95°F	6	98	3±2°C (5.5±4°F)	55°C (130°F)
Y0A8GD004040AO6J	4-40°C	Y0A8GD004040AO6K	40-105°F	6	140	3±2°C (5.5±4°F)	60°C (140°F)
Y0A8GD030090AO6J	30-90°C	Y0A8GD030090AO6K	85-195°F	6	87	4±3°C (7±5.5°F)	120°C (250°F)
Y0A8GD030110AO6J	30-110°C	Y0A8GD030110AO6K	90-230°F	6	93	5±3°C (9±7°F)	150°C (300°F)
Y0A8GD050200AO6J	50-200°C	Y0A8GD050200AO6K	120-390°F	6	59	8±5°C (14±9°F)	250°C (480°F)
Y0A8GD050300AO3J	50-300°C	Y0A8GD050300AO3K	120-570°F	3	165	10±5°C (18±9°F)	350°C (660°F)

*3 cable gland version: replace A8G by A8H in the reference

Knob printings

°C Printing					
-35+35°C	4-40°C	30-90°C	30-110°C	50-200°C	50-300°C
°F Printing					
-30+95°F	40-105°F	85-195°F	85-230°F	120-390°F	120-570°F

Because of permanent improvement of our products, drawings, descriptions, features used on these data sheets are for guidance only and can be modified without prior advice