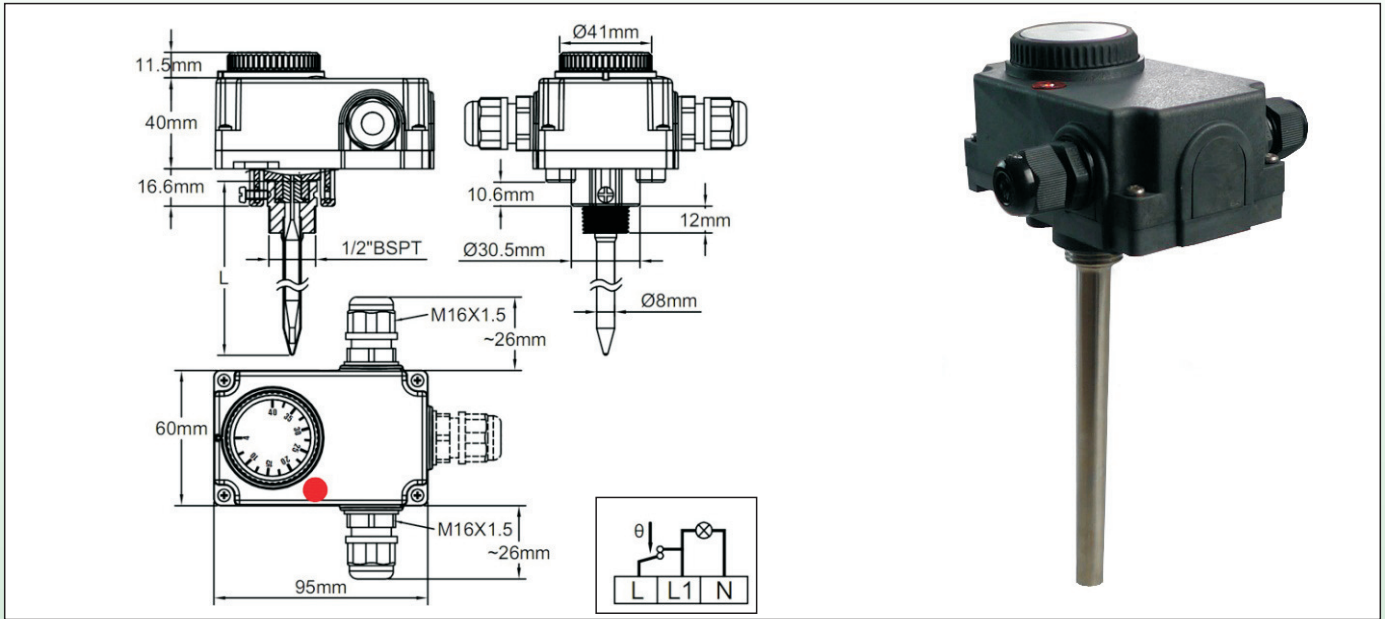


## 2015 New products

**Rod thermostat, 2 or 3 cable gland IP44 enclosure, for heat control, with built-in pilot light. Stainless steel or nickel plated brass pocket**  
**Type Y0B**



### Applications

Temperature control of tanks or pipes in professional premises where good protection against liquid splashes or dust is requested. Output with 2 or 3 cable glands, allowing direct connection of immersion heaters.

**Housing:** Small height, IP44, 95 x 60 x 40 mm, (Knob and cable glands not included), black PC-ABS, UL94V0. High impact and UV resistance. 2 removable wall mounting lugs.

**Electrical input:** M16 cable glands. Delivered with 2 cable glands (3 on request). Positioning the cable glands allows variations in the mounting position

**Temperature adjustment:** With °C printed knob. (°F printed knobs available in option)

**Sensing element:** Liquid filled bulb, located inside a backside mounted 304L stainless steel pocket.

**Adjustment ranges:** -35+35°C (-30+95°F), 4-40°C (40-105°F), 30-90°C (85-195°F), 30-110°C (90-230°F)

**Rod length:** 90, 230, 300 mm. Other length on request

### Mounting:

- by the 1/2"BSPT (Tapped) pocket fitting (nickel plated brass pocket)
- by the 1/2"BSPP (parallel) pocket fitting (stainless steel pocket)

**Electrical connections:** On screw terminals. (It is possible to connect 2 wires 1.5mm<sup>2</sup> on each terminal.)

**Contact:** SPNC (open on temperature rise). One terminal is available for neutral connection. SPDT contact available on request but it is not compatible with neutral terminal and pilot light.

**Electrical rating:** 16A(2.6) 250VAC

-Electrical life > 100.000 cycles.

### Main references with nickel plated brass pocket\*

Temperature ranges (°C)	Temperature ranges (°F)	References in °C with rod length L=90 mm**	References in °C with rod length L=230 mm**	References in °C with rod length L=300 mm**	Differential	Max temperature on rod
-35+35°C	-30+95°F		Y0B8GD-35035N23J	Y0B8GD-35035N30J	3±2°C (5.5±4°F)	55°C (130°F)
4-40°C	40-105°F		Y0B8GD004040N23J	Y0B8GD004040N30J	3±2°C (5.5±4°F)	60°C (140°F)
30-90°C	85-195°F	Y0B8GD030090N09J	Y0B8GD030090N23J	Y0B8GD030090N30J	4±3°C (7±5.5°F)	120°C (250°F)
30-110°C	90-230°F	Y0B8GD030110N09J	Y0B8GD030110N23J	Y0B8GD030110N30J	5±3 (9±7°F)	150°C (300°F)

### Main references with AISI 304 pocket\*

Temperature ranges (°C)	Temperature ranges (°F)	References in °C with rod length L=90 mm**	References in °C with rod length L=230 mm**	References in °C with rod length L=300 mm**	Differential	Max temperature on rod
-35+35°C	-30+95°F		Y0B8GD-35035I23J	Y0B8GD-35035I30J	3±2°C (5.5±4°F)	55°C (130°F)
4-40°C	40-105°F		Y0B8GD004040I23J	Y0B8GD004040I30J	3±2°C (5.5±4°F)	60°C (140°F)
30-90°C	85-195°F	Y0B8GD030090I09J	Y0B8GD030090I23J	Y0B8GD030090I30J	4±3°C (7±5.5°F)	120°C (250°F)
30-110°C	90-230°F	Y0B8GD030110I09J	Y0B8GD030110I23J	Y0B8GD030110I30J	5±3 (9±7°F)	150°C (300°F)

Other temperature range, consult us  
 \*3 cable gland version: replace CBG by CBH in the reference  
 \*\*Versions with °F printed knobs: replace the last character J by K in the reference

### Knob printings

°C Printing				°F Printing			
-35+35°C	4-40°C	30-90°C	30-110°C	-35+35°C	4-40°C	30-90°C	30-110°C