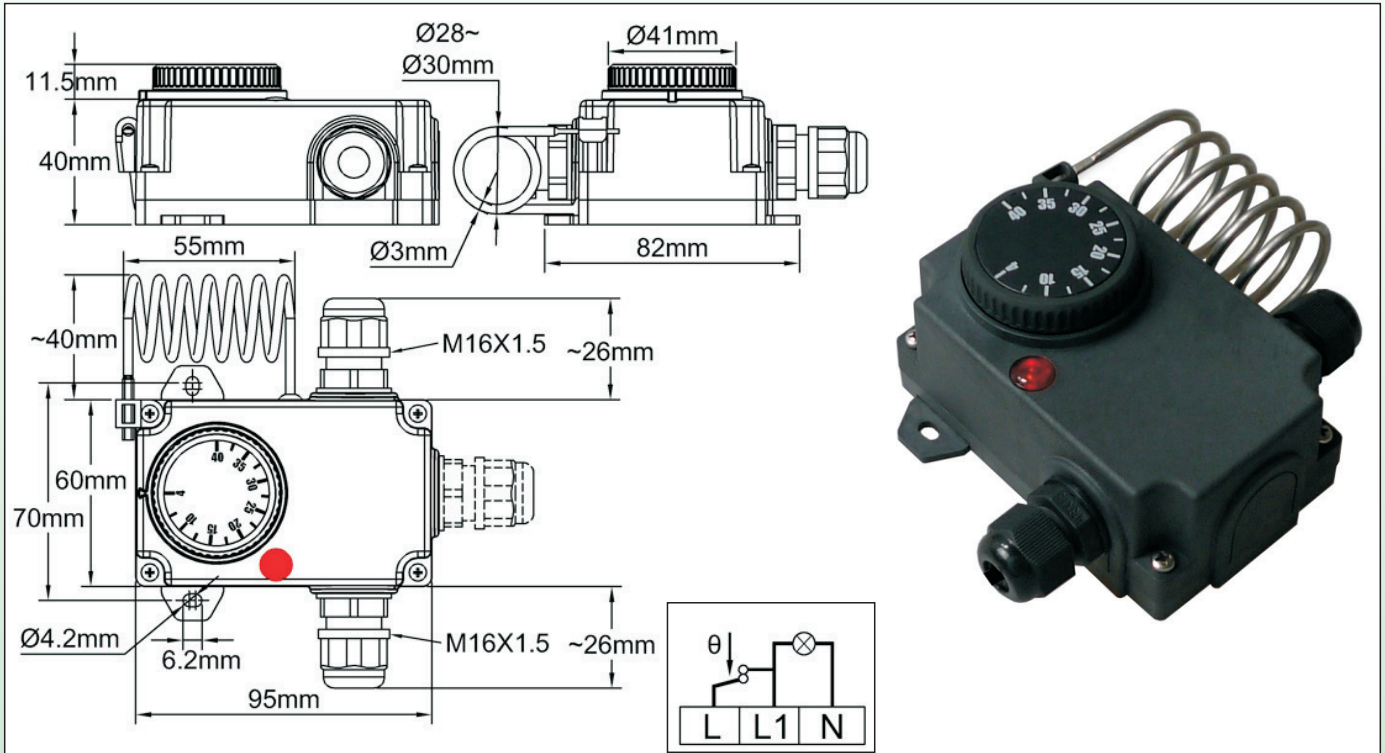


2015 New products

“Pigtail” bulb room thermostat, 2 or 3 cable gland IP44 enclosure, for heat tracing, with built-in pilot light.

Type Y0D



Applications

Ambient temperature control in professional premises where good protection against liquid splashes or dust is requested. Output with 2 or 3 cable glands, allowing direct connection of heat tracing cables for freeze protection.

Main features

- Housing:** Small height, IP44, 95 x 60 x 40 mm, (Knob and cable glands not included), black PC-ABS, UL94V0. High impact and UV resistance. 2 removable wall mounting lugs.
- Electrical input:** M16 cable glands. Delivered with 2 cable glands (3 on request). Positioning the cable glands allows variations in the mounting position
- Temperature adjustment:** With °C printed knob. (°F printed knobs available in option)
- Sensing element:** Liquid filled “pigtail” bulb, mounted on the side of plastic housing
- Adjustment ranges:** 4-40°C (40-105°F).
- Electrical connections:** On screw terminals. (It is possible to connect 2 wires 1.5mm² on each terminal.)
- Mounting:** Wall mounting, by two side lugs with holes for dia. 4mm screws, 70mm distance.
- Contact:** SPNC (open on temperature rise). One terminal is available for neutral connection. SPDT contact available on request but it is not compatible with neutral terminal and pilot light.
- Electrical rating:** 16A(2.6) 250VAC
- Electrical life >100.000 cycles.

Main references with 2 cable glands*

°C		°F		Differential	Max temperature on bulb
Reference (°C)	Temperature ranges (°C)	Reference (°F)	Temperature ranges (°F)		
Y0D8GD00404QB3C	4-40°C	Y0D8GD00404QB3K	40-105°F	3±2°C (5.5±4 °F)	60°C (140°F)

*3 cable gland version: replace D8G by D8H in the reference

Knob printings

°F Printing	°C Printing
40-105°F	4-40°C