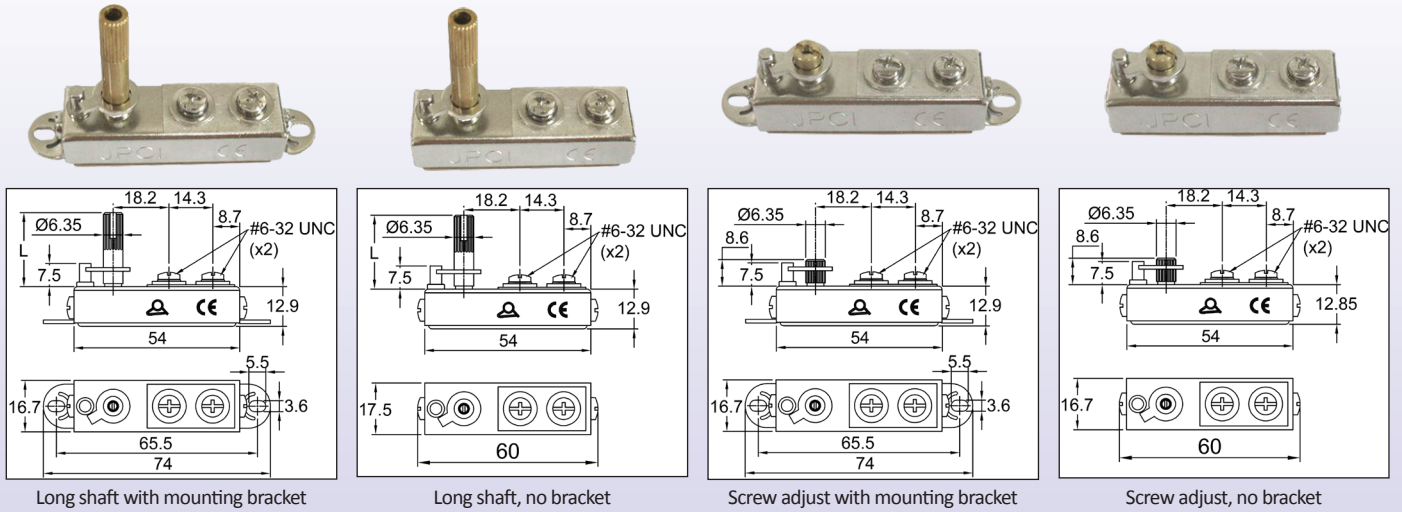


Surface mounting thermostats Type IB

DIMENSIONS



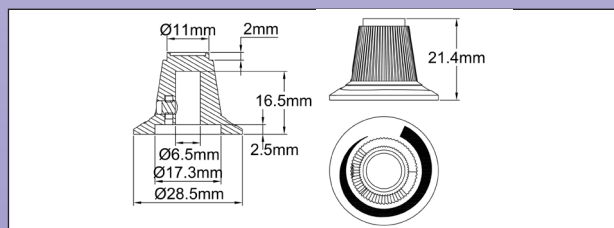
TECHNICAL FEATURES

- Applications:** Precise and adjustable surface temperature control on heating plates, silicone heating pads, foil heaters
- Housing dimensions:** 58.5 x 17.5 x 17.5mm (shaft and bracket not included)
- Material:** Metal /ceramic housing
- Temperature sensing element:** High conductivity copper alloy
- Terminals:** 2 x #6-32 screw terminals
- Adjustment:** Dia. 6.35mm round shaft, 32 mm length, 310° mechanical rotation, or screw adjustment (other lengths, rotation or fixed setting available on request)
- Mounting:**
- Without bracket or with surface mounting bracket,
 - 2 holes dia. 3.4 mm, 65.5 mm distance
- Rating:** 1500 watts 110/250VAC, resistive (Slow make and break action)
- Contact:** Open on temperature rise only
- Differential:** lower than 1° C
- Max ambient temperature on housing:** 300°C
- Accessories:** Knobs
- Approval:** Comply with UL 873 standard (limit or control)

Main references

References	Shaft length (L)	Bracket	High stop Temperature calibration °C (°F)	Approx. temperature span between min. and max. position °C (°F)
IBJ2000608313001	Screw adjustment	No	150 (300)	160 (290)
IBJ2000608316002	Screw adjustment	No	315 (600)	330 (590)
IBK2000608313001	Screw adjustment	Yes	150 (300)	160 (290)
IBK2000608316002	Screw adjustment	Yes	315 (600)	330 (590)
IBJ2000632313001	32 mm	No	150 (300)	160 (290)
IBJ2000632315302	32 mm	No	275 (530)	330 (590)
IBJ2000632316002	32 mm	No	315 (600)	330 (590)
IBK2000632313001	32 mm	Yes	150 (300)	160 (290)
IBK2000632315302	32 mm	Yes	275 (530)	330 (590)
IBK2000632316002	32 mm	Yes	315 (600)	330 (590)

Knob



For 6.35 mm diameter shaft, black PPS, white crescent.
Max temperature on knob 200°C/392°F

Reference	66MB0600000010MW
------------------	------------------

Other knobs that fit this type: see last section of this catalogue

