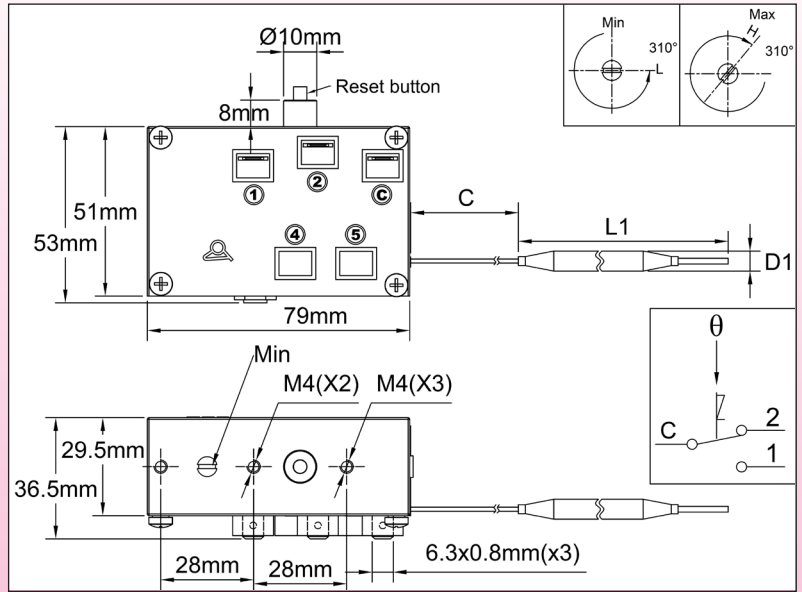
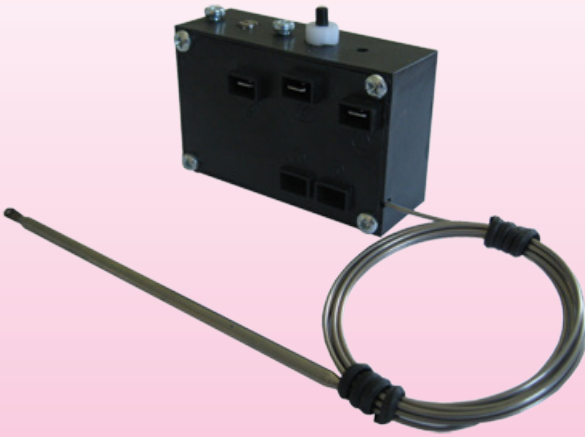


# Type KX SPDT manual reset high limit, adjustable, commercial type

## DIMENSIONS



## TECHNICAL FEATURES

**Housing dimensions:** 79 x 53 x 36 mm (without terminals)

**Bulb and capillary:** Copper for temperature ranges up to 50°C(120°F), stainless steel above ,capillary length 1500 mm or 3000 mm. Capillary minimum bending radius 5mm.

**Temperature sensing element:** Liquid filled bulb and capillary.

**Terminals:** 6.35 x 0.8 quick connect terminals (M4 screws also available on request),

**Adjustment:** Dia. 6 mm shaft with 4.6 mm flat, (other lengths or fixed setting available on request).

**Mounting:** Front bracket with 2 xM4 threads, 28 mm distance

**Rating:** 15A (1/4 HP) 250VAC, 15A 400V res.

**Contacts:** SPDT (snap action contact)

**Electrical life:** >100.000 cycles at nominal rating

## Main references

Reference	Temperature range (°C/°F)	Capillary length (mm)	Bulb diameter (mm)	Bulb length (mm)	Reset Differential (°C/°F)	Max temperature on bulb (°C/°F)
KXC-250252200	-25+25°C (-15+80°F)	1500	6.4	152	6±2°C/42.8±35.6°F	50°C (120°F)
KXC-1001552000	-10+15°C (15-60°F)	1500	6.4	152	6±2°C/42.8±35.6°F	50°C (120°F)
KXC0000502000	0-50°C (32-120°F)	1500	6.4	152	6±2°C/42.8±35.6°F	60°C (140°F)
KXC0000705200	0-70°C (32-160°F)	1500	4.8	120	10±3°C/50±37.4°F	160°C (320°F)
KXC0000701200	0-70°C (32-160°F)	3000	4.8	120	10±3°C/50±37.4°F	160°C (320°F)
KXC0200905000	20-90°C (70-195°F)	1500	4.8	120	10±3°C/50±37.4°F	160°C (320°F)
KXC0200901000	20-90°C (70-195°F)	3000	4.8	120	10±3°C/50±37.4°F	160°C (320°F)
KXC0101505000	10-150°C (50-300°F)	1500	4.8	120	10±3°C/50±37.4°F	160°C (320°F)
KXC0101501000	10-150°C (50-300°F)	3000	4.8	120	10±3°C/50±37.4°F	160°C (320°F)
KXC0802000100	80-200°C (175-390°F)	1500	4	100	20±4°C/68±39.2°F	320°C (610°F)
KXC0503000100	50-300°C (120-570°F)	1500	4	100	20±4°C/68±39.2°F	320°C (610°F)
KXC0104507000	10-450°C (50-840°F)	1500	4.8	120	40±6°C/104±42.8°F	760°C (1400°F)
KXC0104509000	10-450°C (50-840°F)	3000	4.8	120	40±6°C/104±42.8°F	760°C (1400°F)
KXC0605007000	60-500°C (140-930°F)	1500	4.8	120	40±6°C/104±42.8°F	760°C (1400°F)
KXC0605009000	60-500°C (140-930°F)	3000	4.8	120	40±6°C/104±42.8°F	760°C (1400°F)
KXC1806007000	180-600°C (360-1110°F)	1500	4.8	120	40±6°C/104±42.8°F	760°C (1400°F)
KXC1806009000	180-600°C (360-1110°F)	3000	4.8	120	40±6°C/104±42.8°F	760°C (1400°F)
KXC2807008000	280-700°C (540-1290°F)	1500	3	300	40±6°C/104±42.8°F	760°C (1400°F)

**Caution:** Bulbs and capillaries of ranges higher than 300°C are filled with sodium potassium eutectic. If they leak or are broken this liquid is flammable if in contact with water

