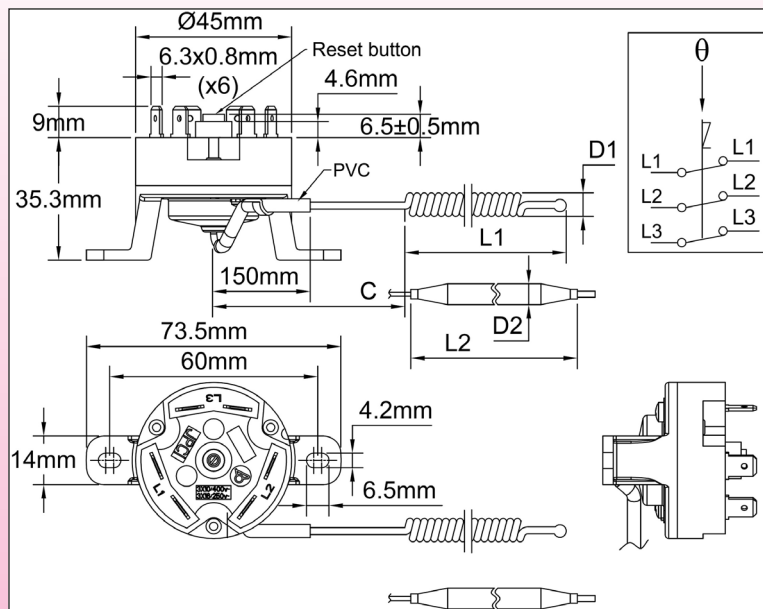


# Type 82

## 3 pole manual reset high limit, fail safe

### DIMENSIONS



### TECHNICAL FEATURES

**Housing dimensions:** dia 45 x 44.3 mm

**Capillary:** copper, capillary length 250mm or 900 mm, 150 mm long PVC sleeve on capillary. Capillary minimum bending radius 5 mm.

For technical reasons, we do not recommend to use capillary length longer than 900 mm.

**Bulb:** Copper, corkscrew type for temperatures from 60 to 130°C(140 to 266°F), tubular dia 6 mm from 130°C to 170°C (266 to 338°F).

**Temperature sensing element:** Liquid-filled thermostatic assembly whose boiling causes tripping of the contact. Therefore, unlike liquid filled systems, these thermostats are sensitive to atmospheric pressure, and their reaction time is slower.

**Terminals:** 6.35 x 0.8 quick connect terminals Adjustment: fixed setting

**Mounting:** Backside legs, 2 M4 screws, holes distance 60 mm

**Manual reset:** fail safe action, center button

**Rating:** 3 x 16A 250VAC, 3 x 10A 400VAC, resistive (10000 cycles)

3 x 25A 250VAC, 3 x 16A 400VAC (300 cycles)

**Contacts:** ST, open on temperature rise (snap action contact)

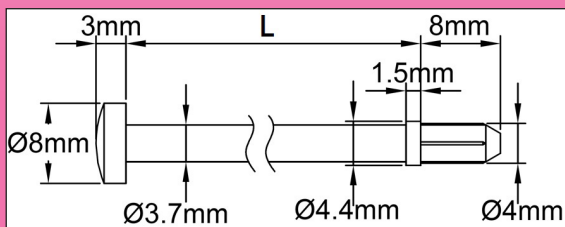
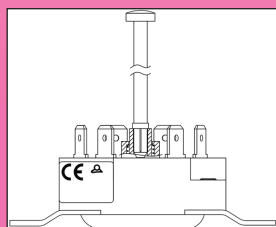
**Max ambient temperature on head:** 150°C(302°F)

### Main references

Reference	Calibration Temperature (°C/°F)	Minimum resettable temperature (°C/°F)	Capillary length (mm)	Bulb diameter (mm)	Bulb length (mm)	Max temperature on bulb (°C/°F)
820060090CI61001	60±5°C/140±41°F	20°C/68°F	900	6	50	90°C/194°F
820060090CA61001	60±5°C/140±41°F	20°C/68°F	250	6	50	90°C/194°F
820070100CI61001	70±5°C/158±41°F	30°C/86°F	900	6	50	100°C/212°F
820080110CI61001	80±5°C/176±41°F	40°C/104°F	900	6	50	110°C/230°F
820090120CI61001	90±5°C/194±41°F	50°C/122°F	900	6	50	120°C/248°F
820110140CI61001	110±5°C/230±41°F	70°C/158°F	900	6	50	140°C/284°F
820130160CI61001	130±6°C/266±42.8°F	90°C/194°F	900	6	60*	160°C/320°F
820150180CI61001	150±7°C/302±44.6°F	110°C/230°F	900	6	60*	180°C/356°F
820170200CI61001	170±7°C/338±44.6°F	130°C/266°F	900	6	60*	200°C/392°F

\* Cylinder bulb

### Accessories



### Long distance manual reset rods

L	Reference
114	664CLR114
30	664CLR030

Other length on request

Because of permanent improvement of our products, drawings, descriptions, features used on these data sheets are for guidance only and can be modified without prior advice

Unless exceptionally specified by this logo, products and components in this catalogue are made by Ultimheat alliance members.

