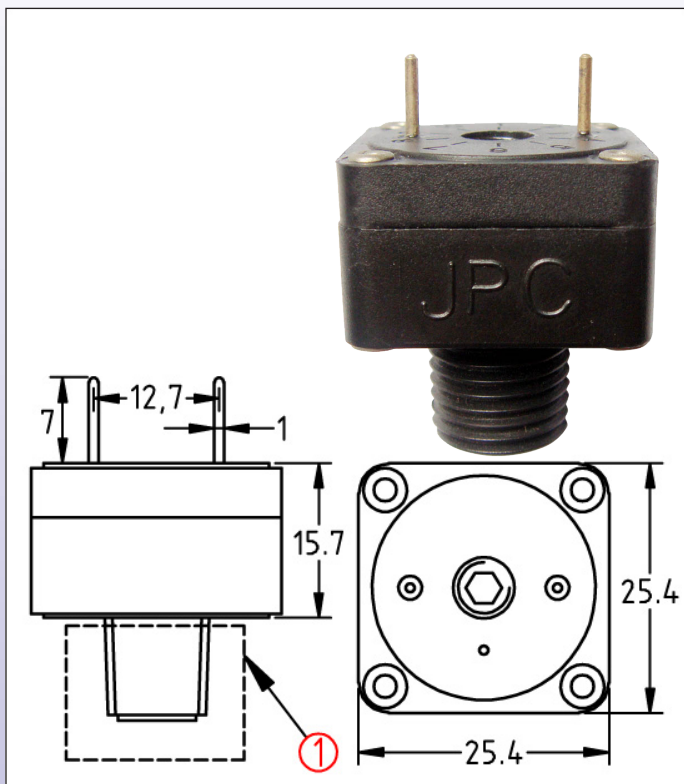


Slow action contact miniature pressure switches for printed circuit boards with mm pitch, 6.35 plastic fitting

SPNO contact : Type ZE

DIMENSIONS



Uses: Low voltage, high sensitivity

Main applications: Electronic printed circuit. This pressure switch is more sensible than snap action models and can be calibrated at lower pressure values. Very small differential.

Membranes: EPDM, dia 22 mm. Silicone or NBR on request

Fluid: water or air

Fitting: Plastic

Pressure: positive

Housing: PA66, UL94 VO

Contact: single pole normally open, slow make.

Electrical rating:

- Silver contact: max 1A 250V

- Gold plated contact: max 100 mA, 24V

Action: momentary, close on pressure rise.

Set point calibration: factory calibrated and sealed, not field adjustable

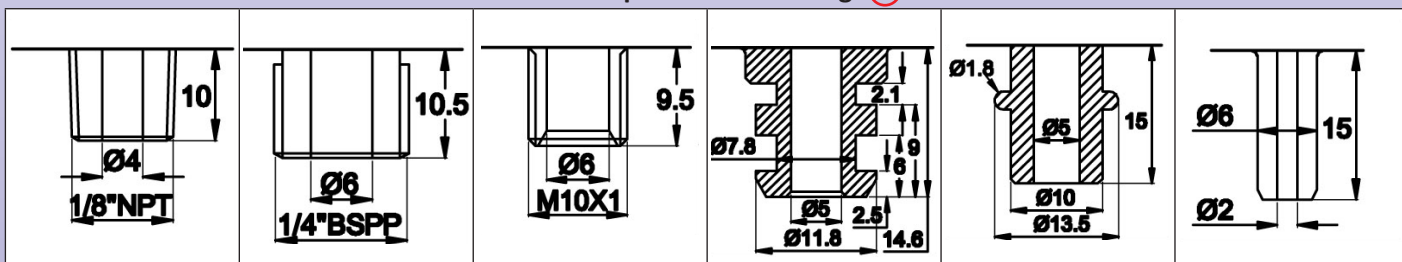
Set point calibration limits: standard calibration 50mbar, other values are achievable from 20 to 400 mbar

Electrical connection: printed circuit terminal, dia 1 mm, 12.7 mm spacing

Maximum pressure: 2 bars (29 PSI)

Ambient temperature limits: 0 to 85°C

Available pressure inlet fittings ①



References (with calibration at 50 mbar):

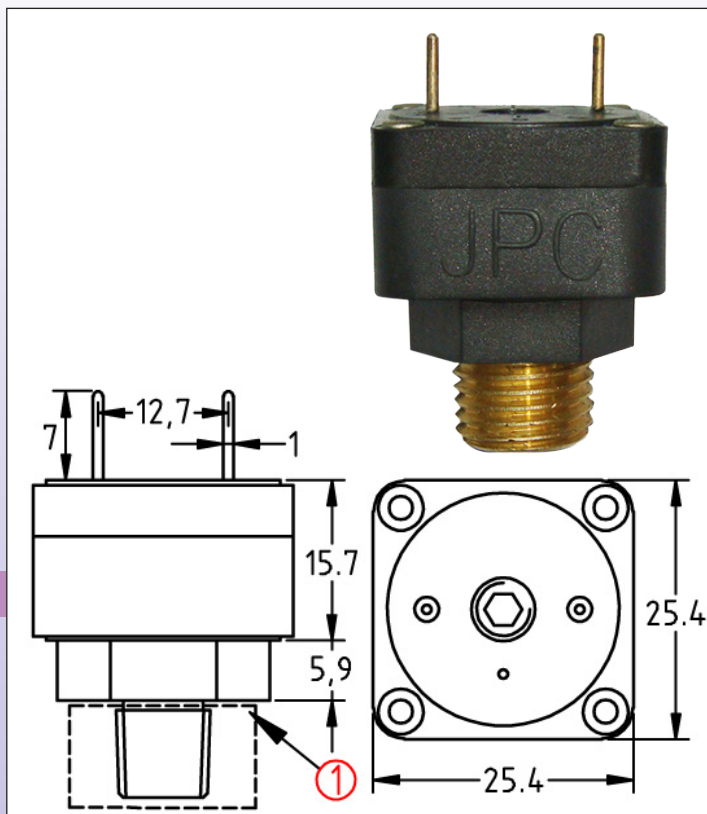
| Pressure inlet | Silver contact | Gold plated contact |
|------------------------------------|------------------|---------------------|
| 1/8" NPT | ZE2X28F105000000 | ZE2X28FG050000000 |
| 1/4" BSPP | ZE2X2QF105000000 | ZE2X2QFG050000000 |
| M10 x 1 | ZE2X2MF105000000 | ZE2X2MFG050000000 |
| Snap in fitting, 2 grooves dia 7.8 | ZE2X2TF105000000 | ZE2X2TFG050000000 |
| Snap in fitting, 1 groove dia 10 | ZE2X2ZF105000000 | ZE2X2ZFG050000000 |
| Snap in fitting, 1 spout dia 6 mm | ZE2X2AF105000000 | ZE2X2AFG050000000 |

Other set point values: replace 050 in the product reference by the requested value in mbar

Slow action contact miniature pressure switches for printed circuit boards with 6.35mm pitch, metal fitting

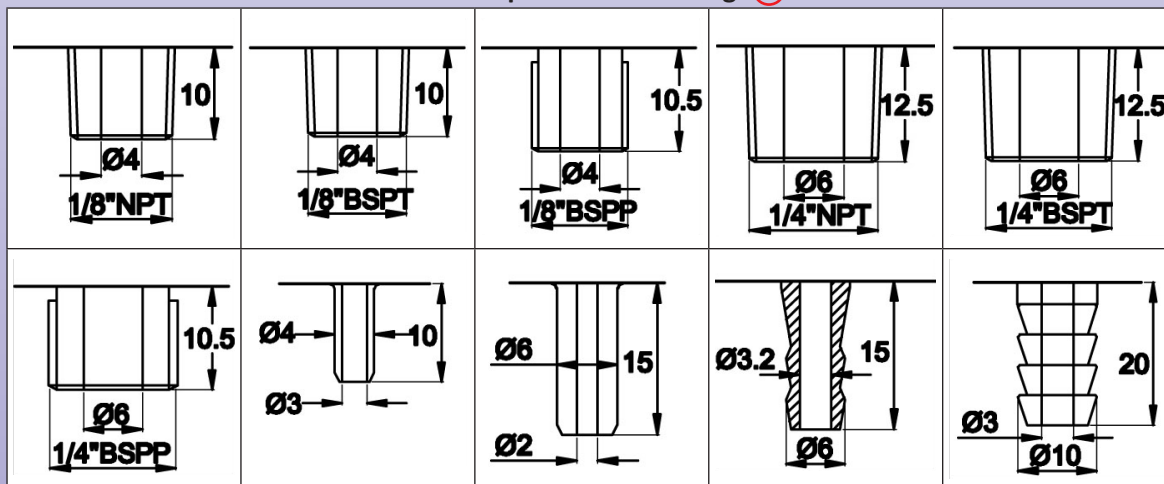
SPNO contact : Type ZE

DIMENSIONS



Uses: Low voltage, high sensitivity
Main applications: Electronic printed circuit. This pressure switch is more sensible than snap action models and can be calibrated at lower pressure values. Very small differential.
Membranes: EPDM, dia 22 mm. Silicone or NBR on request
Fluid: water or air
Fitting: Brass (stainless steel on request)
Pressure: positive
Housing: PA66, UL94 VO
Contact: single pole normally open, slow make.
Electrical rating:
 - Silver contact: max 1A 250V
 - Gold plated contact: max 100 mA, 24V
Action: momentary, close on pressure rise.
Set point calibration: factory calibrated and sealed, not field adjustable
Set point calibration limits: standard calibration 50mbar, other values are achievable from 20 to 400 mbar
Electrical connection: printed circuit terminal, dia 1 mm, 12.7 mm spacing
Maximum pressure: 2 bars (29 PSI)
Ambient temperature limits: 0 to 85°C

Available pressure inlet fittings ①



References (with calibration at 50 mbar and brass fitting):

| Pressure inlet | Silver contact | Gold plated contact |
|------------------------|------------------|---------------------|
| 1/8" NPT | ZE2X2RF105000000 | ZE2X2RFG050000000 |
| 1/8" BSPT | ZE2X2PF105000000 | ZE2X2PFG050000000 |
| 1/8" BSPP | ZE2X2LF105000000 | ZE2X2LFG050000000 |
| 1/4" NPT | ZE2X2CF105000000 | ZE2X2CFG050000000 |
| 1/4" BSPT | ZE2X2SF105000000 | ZE2X2SFG050000000 |
| 1/4" BSPP | ZE2X22F105000000 | ZE2X22FG050000000 |
| Smooth spout dia 4 mm | ZE2X23F105000000 | ZE2X23FG050000000 |
| Spout dia 6 mm | ZE2X27F105000000 | ZE2X27FG050000000 |
| Fluted spout dia 6 mm | ZE2X2JF105000000 | ZE2X2JFG050000000 |
| Barbed spout dia 10 mm | ZE2X29F105000000 | ZE2X29FG050000000 |

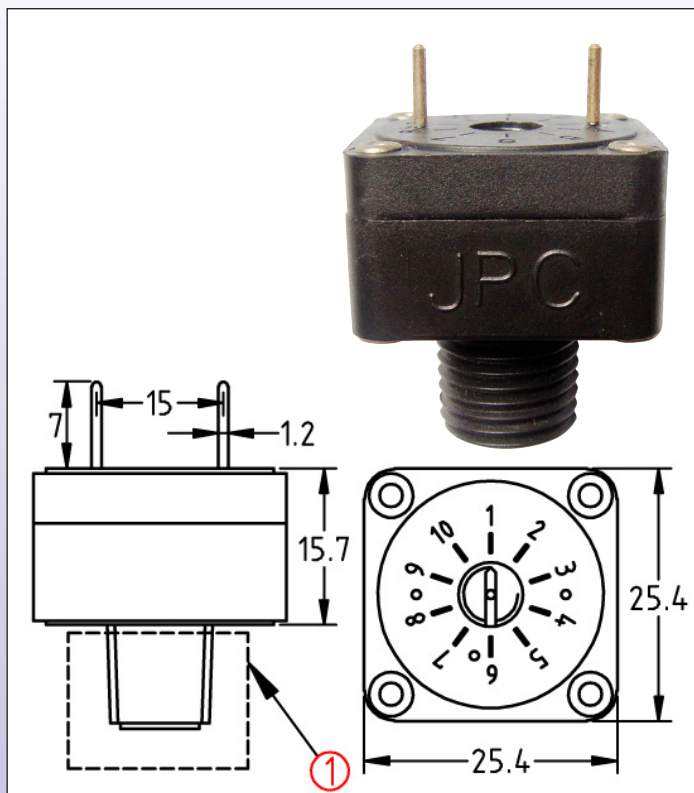
Other set point values: replace 050 in the product reference by the requested value in mbar



Slow action contact miniature pressure switches for printed circuit boards with 5 mm pitch, plastic fitting

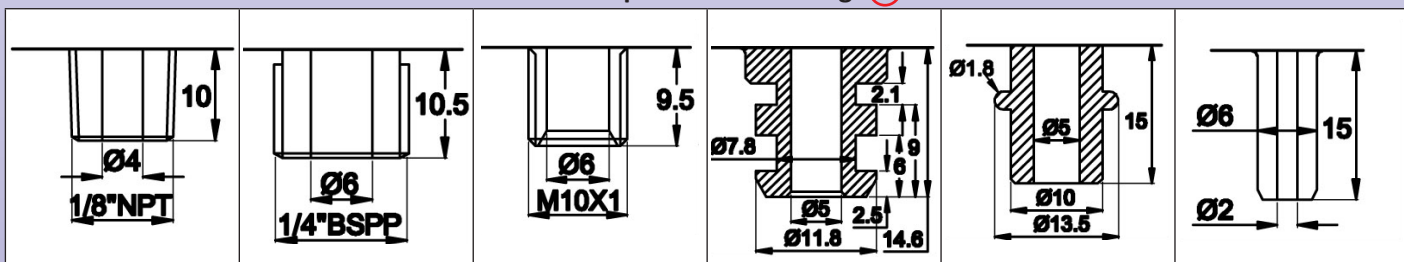
SPNO contact : Type ZE

DIMENSIONS



Uses: Low voltage, high sensitivity
Main applications: Electronic printed circuit. This pressure switch is more sensible than snap action models and can be calibrated at lower pressure values. Very small differential.
Membranes: EPDM, dia 22 mm. Silicone or NBR on request
Fluid: water or air
Fitting: Plastic
Pressure: positive
Housing: PA66, UL94 VO
Contact: single pole normally open, slow make.
Electrical rating:
 - Silver contact: max 1A 250V
 - Gold plated contact: max 100 mA, 24V
Action: momentary, close on pressure rise.
Set point calibration: factory calibrated and sealed, not field adjustable
Set point calibration limits: standard calibration 50mbar, other values are achievable from 20 to 400 mbar
Electrical connection: printed circuit terminal, dia 1.2 mm, 15 mm spacing
Maximum pressure: 2 bars (29 PSI)
Ambient temperature limits: 0 to 85°C

Available pressure inlet fittings ①



References (with calibration at 50 mbar):

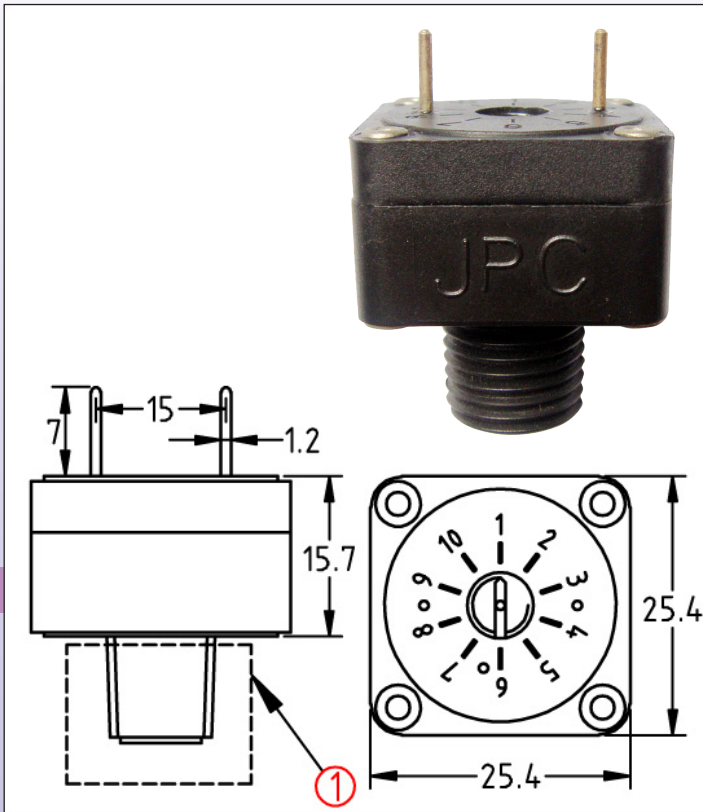
| Pressure inlet | Silver contact | Gold plated contact |
|------------------------------------|------------------|---------------------|
| 1/8" NPT | ZE2X28L105000000 | ZE2X28LG050000000 |
| 1/4" BSPP | ZE2X2QL105000000 | ZE2X2QLG050000000 |
| M10 x 1 | ZE2X2ML105000000 | ZE2X2MLG050000000 |
| Snap in fitting, 2 grooves dia 7.8 | ZE2X2TL105000000 | ZE2X2TLG050000000 |
| Snap in fitting, 1 groove dia 10 | ZE2X2ZL105000000 | ZE2X2ZLG050000000 |
| Snap in fitting, 1 spout dia 6 mm | ZE2X2AL105000000 | ZE2X2ALG050000000 |

Other set point values: replace 050 in the product reference by the requested value in mbar

Slow action contact miniature pressure switches for printed circuit boards with 5 mm pitch, plastic fitting

SPNC contact : Modèle ZE

DIMENSIONS



Uses: Low voltage, high sensitivity

Main applications: Electronic printed circuit. This pressure switch is more sensible than snap action models and can be calibrated at lower pressure values. Very small differential.

Membranes: EPDM, dia 22 mm. Silicone or NBR on request

Fluid: water or air

Fitting: Plastic

Pressure: positive

Housing: PA66, UL94 VO

Contact: single pole normally closed, slow break.

Electrical rating:

- Silver contact: max 1A 250V

- Gold plated contact: max 100 mA, 24V

Action: momentary, open on pressure rise.

Set point calibration: factory calibrated and sealed, not field adjustable

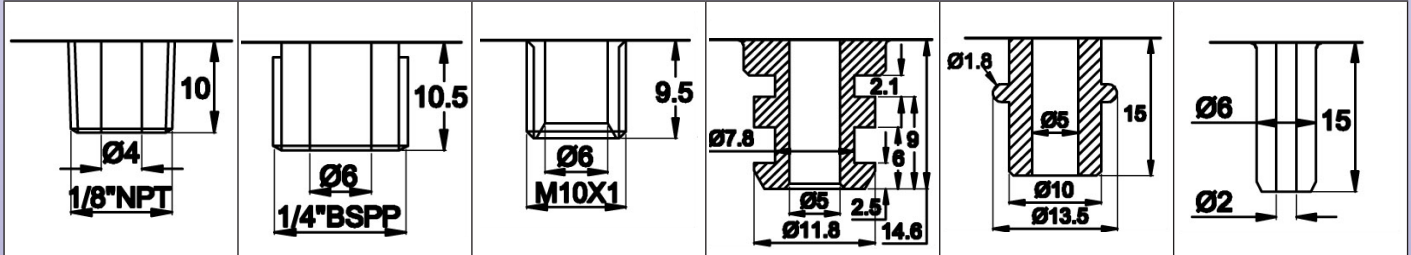
Set point calibration limits: standard calibration 50mbar, other values are achievable from 20 to 400 mbar

Electrical connection: printed circuit terminal, dia 1.2 mm, 15 mm spacing

Maximum pressure: 2 bars (29 PSI)

Ambient temperature limits: 0 to 85°C

Available pressure inlet fittings ①



References (with calibration at 50 mbar):

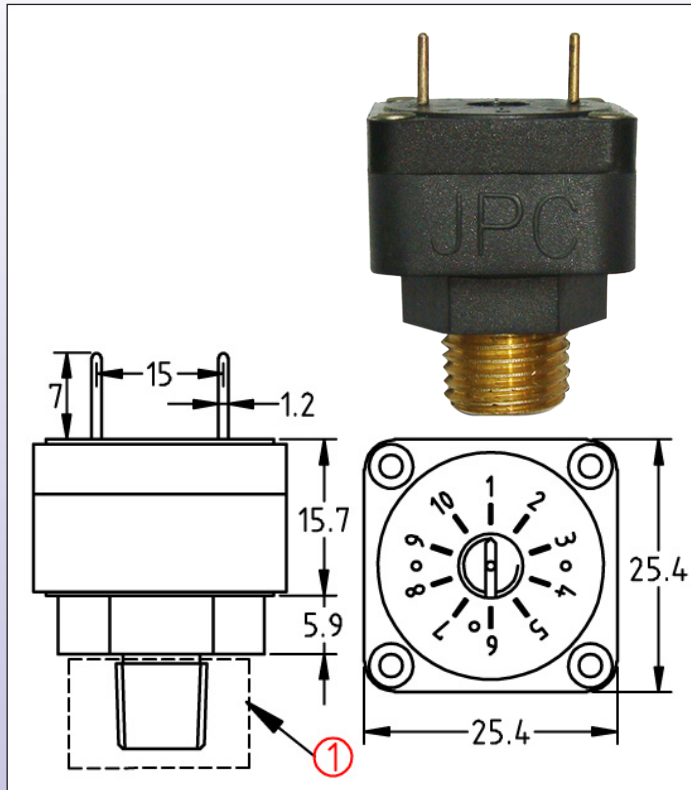
| Pressure inlet | Silver contact | Gold plated contact |
|------------------------------------|------------------|---------------------|
| 1/8" NPT | ZE2X18L105000000 | ZE2X18LG050000000 |
| 1/4" BSPP | ZE2X1QL105000000 | ZE2X1QLG050000000 |
| M10 x 1 | ZE2X1ML105000000 | ZE2X1MLG050000000 |
| Snap in fitting, 2 grooves dia 7.8 | ZE2X1TL105000000 | ZE2X1TLG050000000 |
| Snap in fitting, 1 groove dia 10 | ZE2X1ZL105000000 | ZE2X1ZLG050000000 |
| Snap in fitting, 1 spout dia 6 mm | ZE2X1AL105000000 | ZE2X1ALG050000000 |

Other set point values: replace 050 in the product reference by the requested value in mbar

Slow action contact miniature pressure switches for printed circuit boards with 5 mm pitch, metal fitting

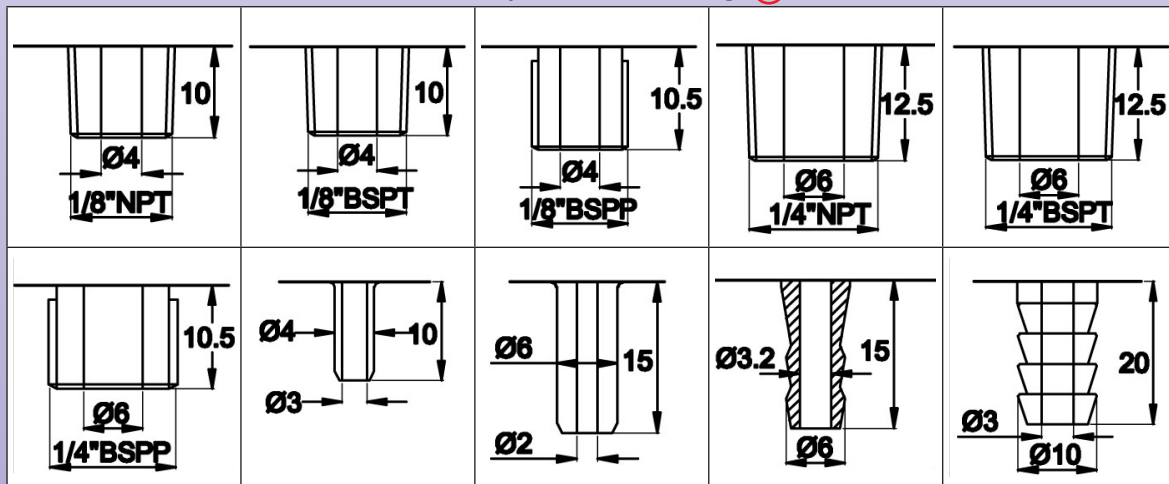
SPNO contact : Type ZE

DIMENSIONS



Uses: Low voltage, high sensitivity
Main applications: Electronic printed circuit. This pressure switch is more sensible than snap action models and can be calibrated at lower pressure values. Very small differential.
Membranes: EPDM, dia 22 mm. Silicone or NBR on request
Fluid: water or air
Fitting: Brass (stainless steel on request)
Pressure: positive
Housing: PA66, UL94 VO
Contact: single pole normally open, slow make.
Electrical rating:
 - Silver contact: max 1A 250V
 - Gold plated contact: max 100 mA, 24V
Action: momentary, close on pressurise.
Set point calibration: factory calibrated and sealed, not field adjustable
Set point calibration limits: standard calibration 50mbar, other values are achievable from 20 to 400 mbar
Electrical connection: printed circuit terminal, dia 1.2 mm, 15 mm spacing
Maximum pressure: 2 bars (29 PSI)
Ambient temperature limits: 0 to 85°C

Available pressure inlet fittings ①



References (with calibration at 50 mbar and brass fitting):

| Pressure inlet | Silver contact | Gold plated contact |
|------------------------|------------------|---------------------|
| 1/8" NPT | ZE2X2RL105000000 | ZE2X2RLG050000000 |
| 1/8" BSPT | ZE2X2PL105000000 | ZE2X2PLG050000000 |
| 1/8" BSPP | ZE2X2LL105000000 | ZE2X2LLG050000000 |
| 1/4" NPT | ZE2X2CL105000000 | ZE2X2CLG050000000 |
| 1/4" BSPT | ZE2X2SL105000000 | ZE2X2SLG050000000 |
| 1/4" BSPP | ZE2X22L105000000 | ZE2X22LG050000000 |
| Smooth spout dia 4 mm | ZE2X23L105000000 | ZE2X23LG050000000 |
| Spout dia 6 mm | ZE2X27L105000000 | ZE2X27LG050000000 |
| Fluted spout dia 6 mm | ZE2X2JL105000000 | ZE2X2JLG050000000 |
| Barbed spout dia 10 mm | ZE2X29L105000000 | ZE2X29LG050000000 |

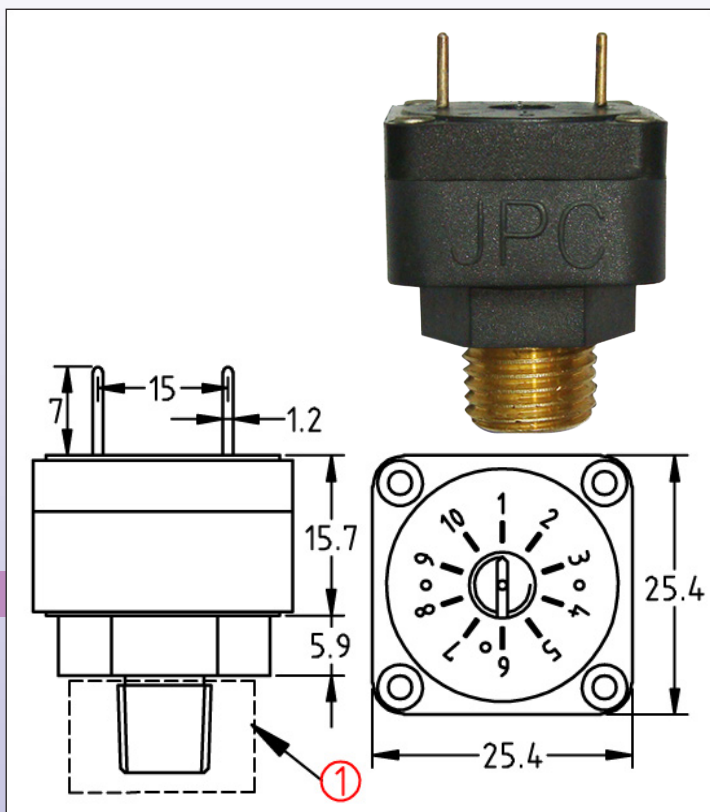
Other set point values: replace 050 in the product reference by the requested value in mbar



Slow action contact miniature pressure switches for printed circuit boards with 5 mm pitch, metal fitting

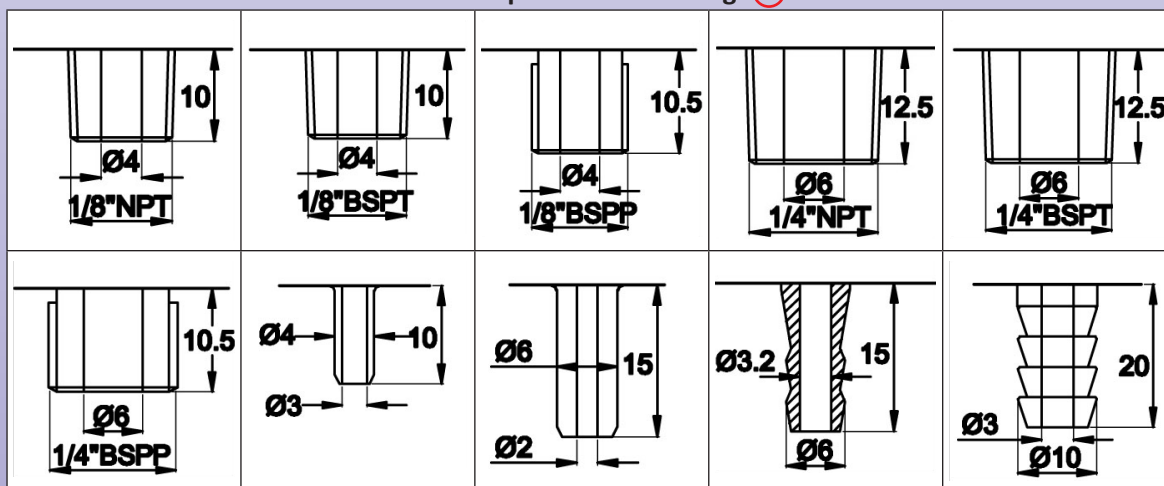
SPNC contact : Type ZE

DIMENSIONS



Uses: Low voltage, high sensitivity
Main applications: Electronic printed circuit. This pressure switch is more sensible than snap action models and can be calibrated at lower pressure values. Very small differential.
Membranes: EPDM, dia 22 mm. Silicone or NBR on request
Fluid: water or air
Fitting: Brass (stainless steel on request)
Pressure: positive
Housing: PA66, UL94 VO
Contact: single pole normally close, slow break.
Electrical rating:
 - Silver contact: max 1A 250V
 - Gold plated contact: max 100 mA, 24V
Action: momentary, open on pressure rise.
Set point calibration: factory calibrated and sealed, not field adjustable
Set point calibration limits: standard calibration 50mbar, other values are achievable from 20 to 400 mbar
Electrical connection: printed circuit terminal, dia 1.2 mm, 15 mm spacing
Maximum pressure: 2 bars (29 PSI)
Ambient temperature limits: 0 to 85°C

Available pressure inlet fittings ①



References (with calibration at 50 mbar and brass fitting):

| Pressure inlet | Silver contact | Gold plated contact |
|------------------------|------------------|---------------------|
| 1/8" NPT | ZE2X1RL105000000 | ZE2X1RLG050000000 |
| 1/8" BSPT | ZE2X1PL105000000 | ZE2X1PLG050000000 |
| 1/8" BSPP | ZE2X1LL105000000 | ZE2X1LLG050000000 |
| 1/4" NPT | ZE2X1CL105000000 | ZE2X1CLG050000000 |
| 1/4" BSPT | ZE2X1SL105000000 | ZE2X1SLG050000000 |
| 1/4" BSPP | ZE2X12L105000000 | ZE2X12LG050000000 |
| Smooth spout dia 4 mm | ZE2X13L105000000 | ZE2X13LG050000000 |
| Spout dia 6 mm | ZE2X17L105000000 | ZE2X17LG050000000 |
| Fluted spout dia 6 mm | ZE2X1JL105000000 | ZE2X1JLG050000000 |
| Barbed spout dia 10 mm | ZE2X19L105000000 | ZE2X19LG050000000 |

Other set point values: replace 050 in the product reference by the requested value in mbar