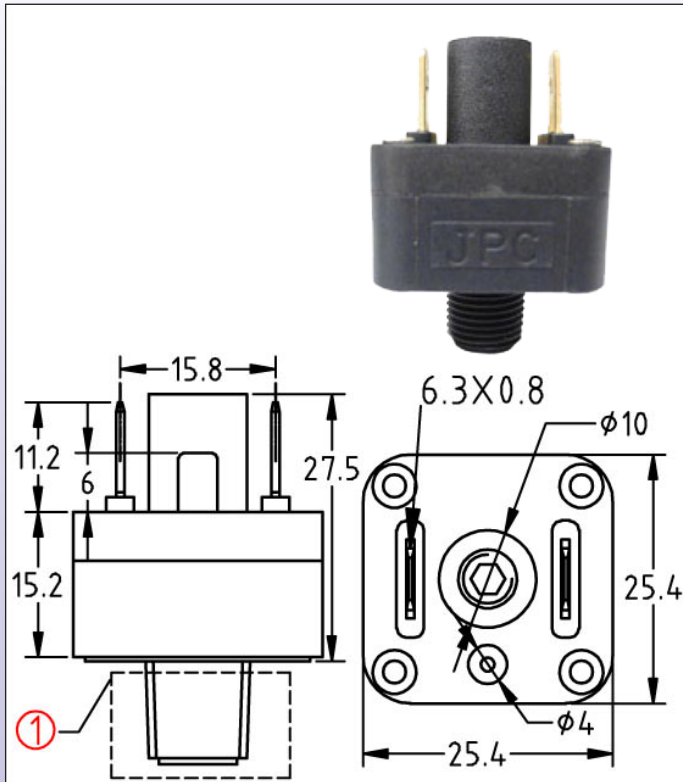


# Slow action contact miniature pressure switches , 6.3 x 0.8 mm QC terminals, plastic fitting SPNO contact : Type ZA

## DIMENSIONS



**Uses:** Low voltage, high sensitivity

**Main applications:** Electronic circuits. Pressure sensing on water heaters. This pressure switch is more sensible than snap action models and can be calibrated at lower pressure values. Very small differential.

**Membranes:** EPDM, dia 22 mm. Silicone or NBR on request

**Fluid:** water or air

**Fitting:** Plastic

**Pressure:** positive

**Housing:** PA66, UL94 VO

**Contact:** single pole normally open, slow make.

**Electrical rating:**

- Silver contact: max 1A 250V

- Gold plated contact: max 100 mA, 24V

**Action:** momentary, close on pressure rise.

**Set point calibration:** factory calibrated and sealed, not field adjustable

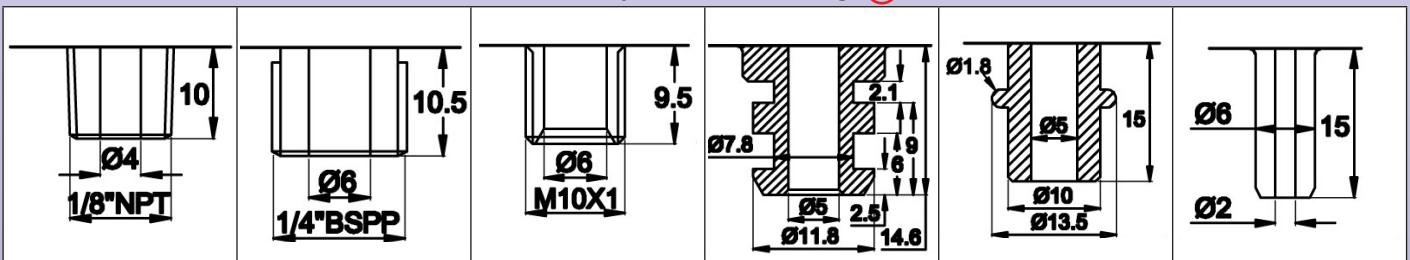
**Set point calibration limits:** standard calibration 150mbar, other values are achievable from 100 to 1300 mbar

**Electrical connection:** 6.35 x 0.8 mm quick connect terminals

**Maximum pressure:** 2 bars (29 PSI)

**Ambient temperature limits:** 0 to 85°C

### Available pressure inlet fittings ①



### References ( with calibration at 150 mbar):

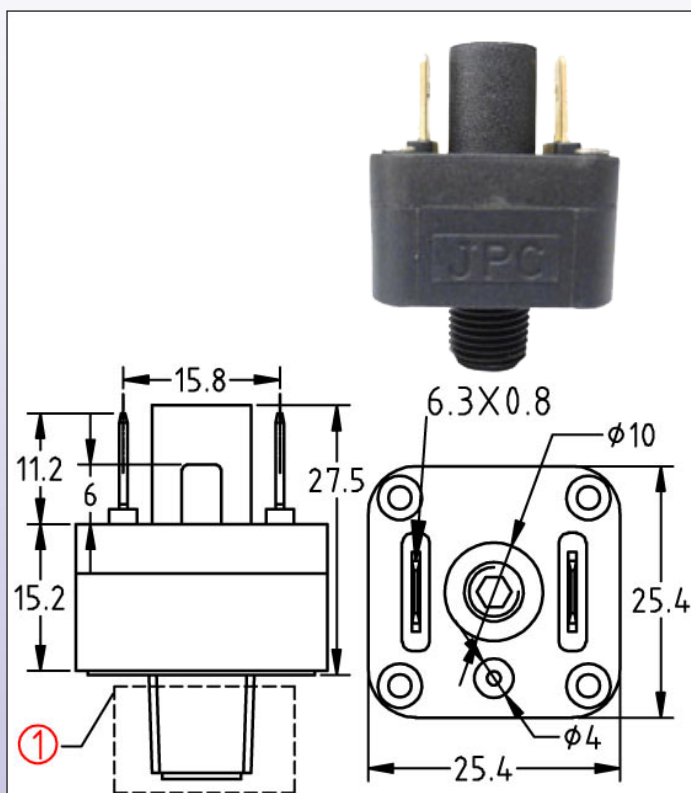
| Pressure inlet                     | Silver contact   | Gold plated contact |
|------------------------------------|------------------|---------------------|
| 1/8" NPT                           | ZA2X28EA0A500000 | ZA2X28EG0A500000    |
| 1/4" BSPP                          | ZA2X2QEA0A500000 | ZA2X2QEG0A500000    |
| M10 x 1                            | ZA2X2MEA0A500000 | ZA2X2MEG0A500000    |
| Snap in fitting, 2 grooves dia 7.8 | ZA2X2TEA0A500000 | ZA2X2TEG0A500000    |
| Snap in fitting, 1 groove dia 10   | ZA2X2ZEA0A500000 | ZA2X2ZEG0A500000    |
| Snap in fitting, 1 spout dia 6 mm  | ZA2X2AEA0A500000 | ZA2X2AEG0A500000    |

Other set point values: replace A50 in the product reference by the requested value in mbar



# Slow action contact miniature pressure switches, 6.3 x 0.8 mm QC terminals, plastic fitting SPNC contact : Type ZA

## DIMENSIONS



**Uses:** Low voltage, high sensitivity

**Main applications:** Electronic circuits. Pressure sensing on water heaters. This pressure switch is more sensible than snap action models and can be calibrated at lower pressure values. Very small differential.

**Membranes:** EPDM, dia 22 mm. Silicone or NBR on request

**Fluid:** water or air

**Fitting:** Plastic

**Pressure:** positive

**Housing:** PA66, UL94 VO

**Contact:** single pole normally close, slow break.

**Electrical rating:**

- Silver contact: max 1A 250V

- Gold plated contact: max 100 mA, 24V

**Action:** momentary, open on pressure rise.

**Set point calibration:** factory calibrated and sealed, not field adjustable

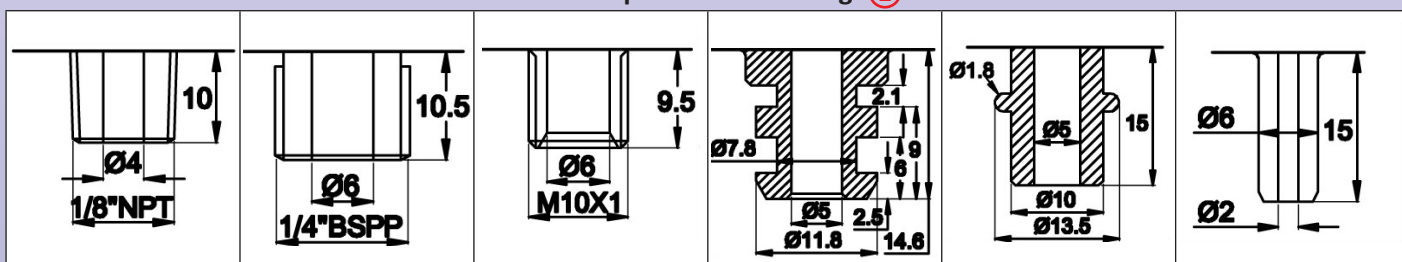
**Set point calibration limits:** standard calibration 150mbar, other values are achievable from 100 to 1300 mbar

**Electrical connection:** 6.35 x 0.8 mm quick connect terminals

**Maximum pressure:** 2 bars (29 PSI)

**Ambient temperature limits:** 0 to 85°C

### Available pressure inlet fittings ①



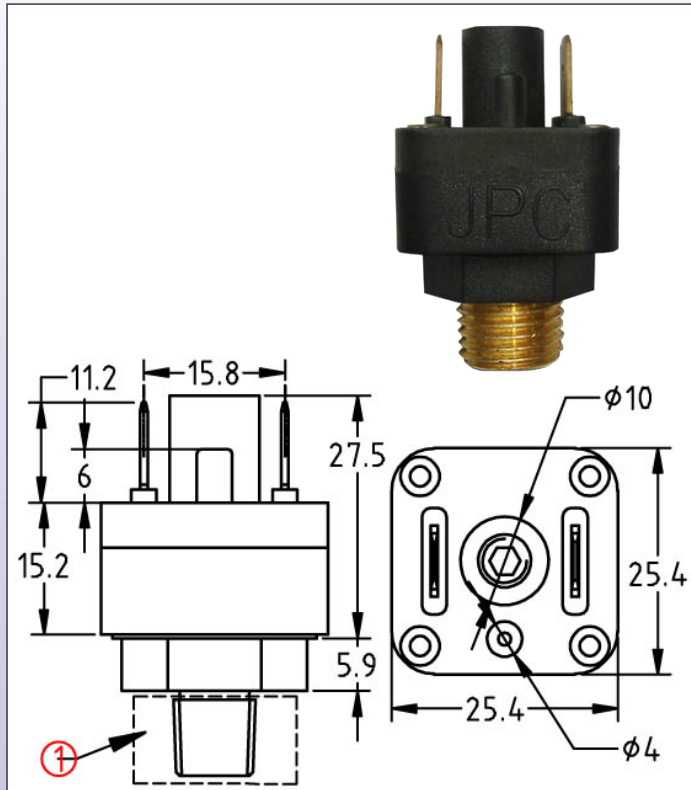
### References ( with calibration at 150 mbar):

| Pressure inlet                     | Silver contact   | Gold plated contact |
|------------------------------------|------------------|---------------------|
| 1/8" NPT                           | ZA2X18EA0A500000 | ZA2X18EG0A500000    |
| 1/4" BSPP                          | ZA2X1QEA0A500000 | ZA2X1QEG0A500000    |
| M10 x 1                            | ZA2X1MEA0A500000 | ZA2X1MEG0A500000    |
| Snap in fitting, 2 grooves dia 7.8 | ZA2X1TEA0A500000 | ZA2X1TEG0A500000    |
| Snap in fitting, 1 groove dia 10   | ZA2X1ZEA0A500000 | ZA2X1ZEG0A500000    |
| Snap in fitting, 1 spout dia 6 mm  | ZA2X1AEA0A500000 | ZA2X1AEG0A500000    |

Other set point values: replace A50 in the product reference by the requested value in mbar

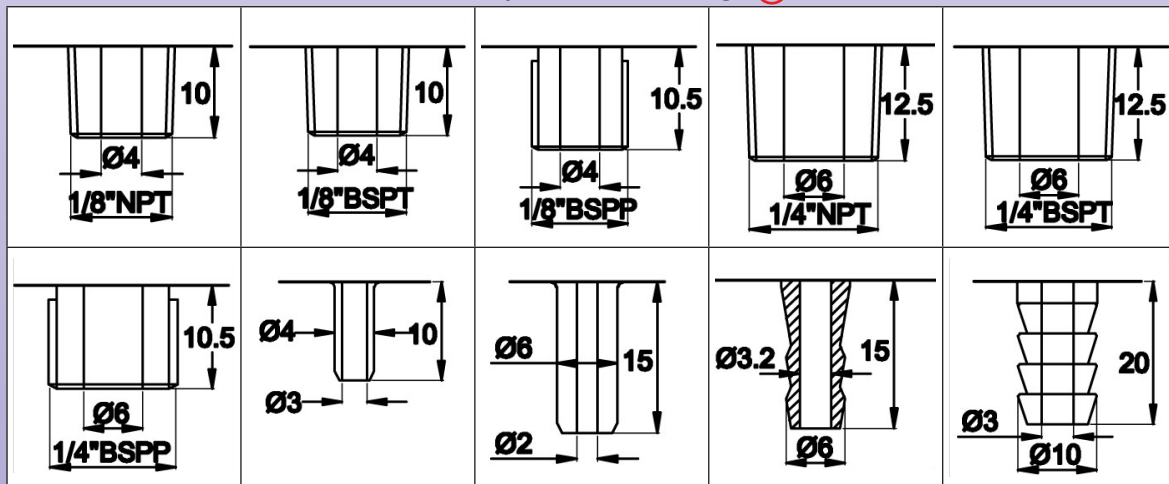
# Slow action contact miniature pressure switches, 6.3 x 0.8 mm QC terminals , metal fitting SPNO contact : Type ZA

## DIMENSIONS



**Uses:** Low voltage, high sensitivity  
**Main applications:** Electronic printed circuit. This pressure switch is more sensible than snap action models and can be calibrated at lower pressure values. Very small differential.  
**Membranes:** EPDM, dia 22 mm. Silicone or NBR on request  
**Fluid:** water or air  
**Fitting:** Brass (stainless steel on request)  
**Pressure:** positive  
**Housing:** PA66, UL94 VO  
**Contact:** single pole normally open, slow make.  
**Electrical rating:**  
 - Silver contact: max 1A 250V  
 - Gold plated contact: max 100 mA, 24V  
**Action:** momentary, close on pressure rise.  
**Set point calibration:** factory calibrated and sealed, not field adjustable  
**Set point calibration limits:** standard calibration 150mbar, other values are achievable from 100 to 1300 mbar  
**Electrical connection:** 6.35 x 0.8 mm quick connect terminals  
**Maximum pressure:** 2 bars (29 PSI)  
**Ambient temperature limits:** 0 to 85°C

### Available pressure inlet fittings ①



### References ( with calibration at 150 mbar and brass fitting):

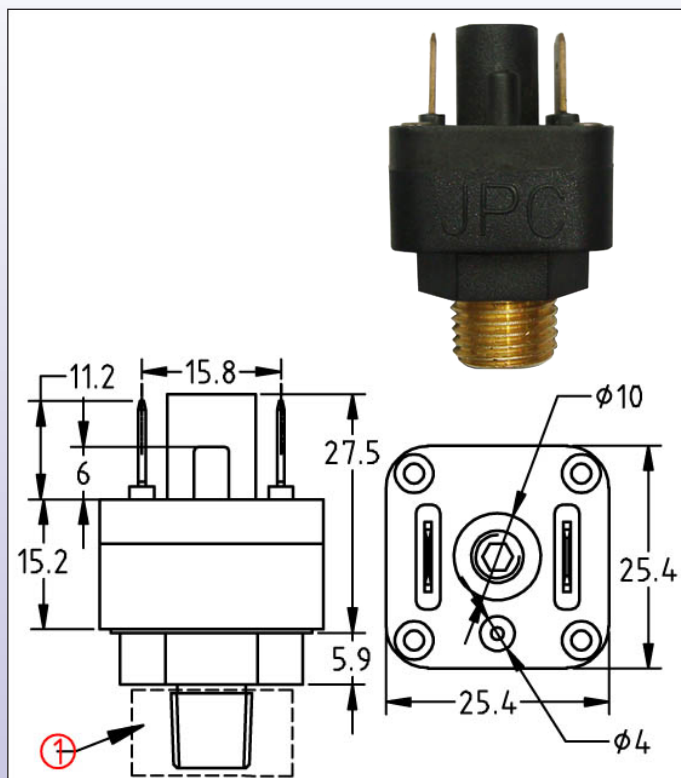
| Pressure inlet         | Silver contact   | Gold plated contact |
|------------------------|------------------|---------------------|
| 1/8" NPT               | ZA2X2REA0A500000 | ZA2X2REG0A500000    |
| 1/8" BSPT              | ZA2X2PEA0A500000 | ZA2X2PEG0A500000    |
| 1/8" BSPP              | ZA2X2LEA0A500000 | ZA2X2LEG0A500000    |
| 1/4" NPT               | ZA2X2CEA0A500000 | ZA2X2CEG0A500000    |
| 1/4" BSPT              | ZA2X2SEA0A500000 | ZA2X2SEG0A500000    |
| 1/4" BSPP              | ZA2X22EA0A500000 | ZA2X22EG0A500000    |
| Smooth spout dia 4 mm  | ZA2X23EA0A500000 | ZA2X23EG0A500000    |
| Spout dia 6 mm         | ZA2X27EA0A500000 | ZA2X27EG0A500000    |
| Fluted spout dia 6 mm  | ZA2X2JEA0A500000 | ZA2X2JEG0A500000    |
| Barbed spout dia 10 mm | ZA2X29EA0A500000 | ZA2X29EG0A500000    |

Other set point values: replace A50 in the product reference by the requested value in mbar



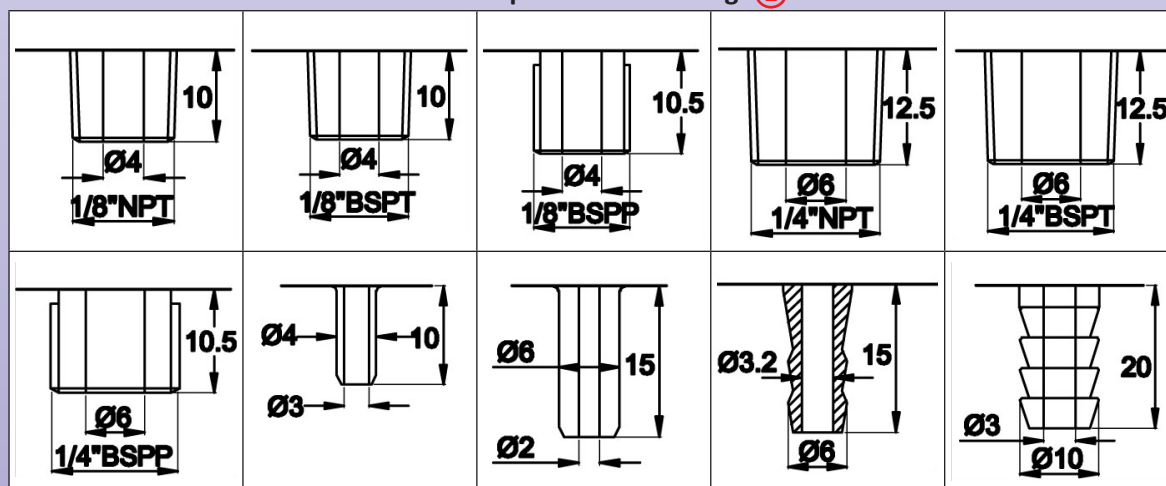
# Slow action contact miniature pressure switches, 6.3 x 0.8 mm QC terminals , metal fitting SPNC contact : Type ZA

## DIMENSIONS



**Uses:** Low voltage, high sensivity  
**Main applications:** Electronic printed circuit. This pressure switch is more sensible than snap action models and can be calibrated at lower pressure values. Very small differential.  
**Membranes:** EPDM, dia 22 mm. Silicone or NBR on request  
**Fluid:** water or air  
**Fitting:** Brass (stainless steel on request)  
**Pressure:** positive  
**Housing:** PA66, UL94 VO  
**Contact:** single pole normally close, slow break.  
**Electrical rating:**  
 - Silver contact: max 1A 250V  
 - Gold plated contact: max 100 mA, 24V  
**Action:** momentary, open on pressure rise.  
**Set point calibration:** factory calibrated and sealed, not field adjustable  
**Set point calibration limits:** standard calibration 150mbar, other values are achievable from 100 to 1300 mbar  
**Electrical connection:** 6.35 x 0.8 mm quick connect terminals  
**Maximum pressure:** 2 bars (29 PSI)  
**Ambient temperature limits:** 0 to 85°C

### Available pressure inlet fittings ①



### References ( with calibration at 150 mbar and brass fitting):

| Pressure inlet         | Silver contact   | Gold plated contact |
|------------------------|------------------|---------------------|
| 1/8" NPT               | ZA2X1REA0A500000 | ZA2X1REG0A500000    |
| 1/8" BSPT              | ZA2X1PEA0A500000 | ZA2X1PEG0A500000    |
| 1/8" BSPP              | ZA2X1LEA0A500000 | ZA2X1LEG0A500000    |
| 1/4" NPT               | ZA2X1CEA0A500000 | ZA2X1CEG0A500000    |
| 1/4" BSPT              | ZA2X1SEA0A500000 | ZA2X1SEG0A500000    |
| 1/4" BSPP              | ZA2X12EA0A500000 | ZA2X12EG0A500000    |
| Smooth spout dia 4 mm  | ZA2X13EA0A500000 | ZA2X13EG0A500000    |
| Spout dia 6 mm         | ZA2X17EA0A500000 | ZA2X17EG0A500000    |
| Fluted spout dia 6 mm  | ZA2X1JEA0A500000 | ZA2X1JEG0A500000    |
| Barbed spout dia 10 mm | ZA2X19EA0A500000 | ZA2X19EG0A500000    |

Other set point values: replace A50 in the product reference by the requested value in mbar

