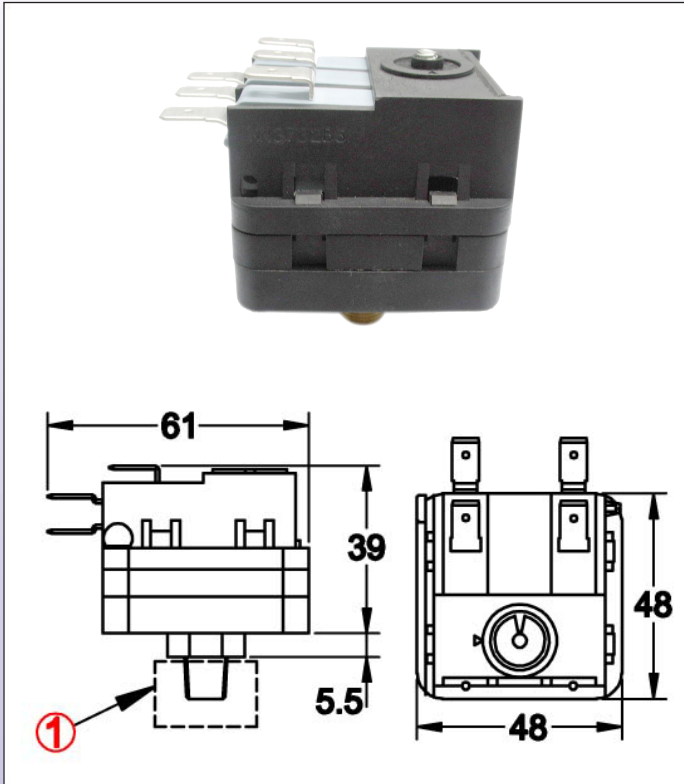


# Snap action contact pressure switch, field adjustable, metal fitting.

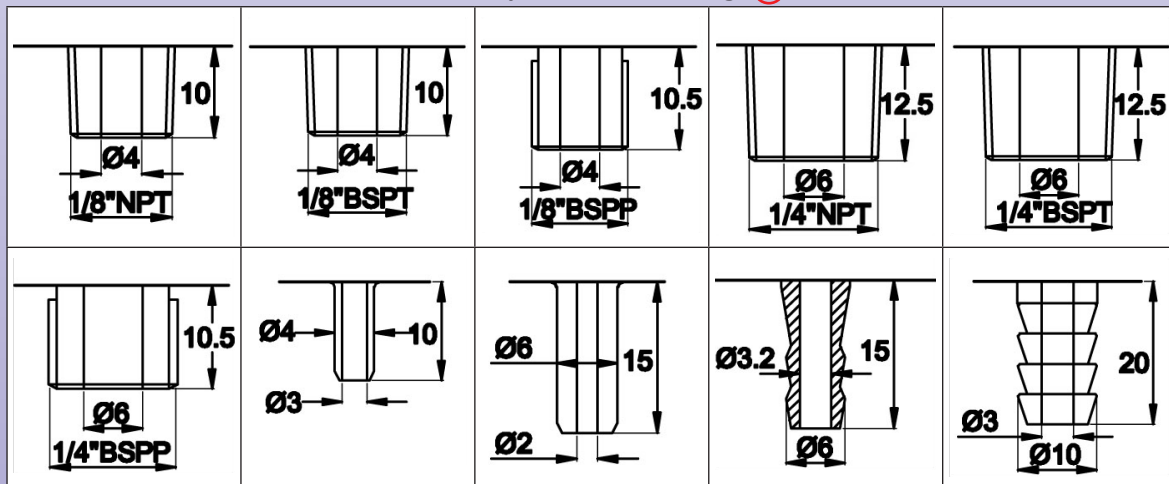
## DPDT contact : Type MN2

### DIMENSIONS



**Uses:** High electrical rating, for 250V.  
**Main applications:** Pressure sensing on water heaters, boilers, spas and swimming pool heaters and filters, electrical appliances (For incorporation).  
**Membrane:** EPDM, dia 45 mm. Silicone or NBR on request  
**Fluid:** water or air  
**Fitting:** Brass (stainless steel on request)  
**Pressure:** positive  
**Housing:** PA66, UL94 VO, IP00  
**Contacts:** two SPDT switches, snap action. NO or NC contacts available with MOQ Electrical rating: Depends on micro-switch operating force that is linked to the electrical rating  
 - Standard rating micro-switch (medium and high pressure calibration only): 16A  
 125/250VAC; 1/2HP 125VAC; 3/4HP 250VAC  
 - High rating micro-switch (medium and high pressure calibration only): 2HP 240V, 21(8) A 240V (UL, CSA VDE switch)  
 - Low force micro-switch (set points less than 150 mbar): 1/4HP 6(1) A 240V (UL, CSA VDE switch)  
 - On request: up to 25A 250V  
**Action:** momentary.  
**Set point calibration:** Field adjustable with screw driver at +/-20% of the factory calibration value  
**Calibration limits:** 100 to 1500 mbar  
**Electrical connection:** 6.35 x 0.8 mm terminals  
**Maximum pressure:** 6 bars (87 PSI)  
**Ambient temperature limits:** 0 to 85°C

### Available pressure inlet fittings ①



### References (SPDT contact, brass fitting, calibrated at 400 mbar) :

Pressure inlet	Standard rating micro- switch	Low pressure micro-switch	High rating micro-switch
1/8" NPT	MN20U145H040DE00	MN20U540H040DE00	MN20U647H040DE00
1/8" BSPT	MN20U145L040DE00	MN20U540L040DE00	MN20U647L040DE00
1/8" BSPP	MN20U145D040DE00	MN20U540D040DE00	MN20U647D040DE00
1/4" NPT	MN20U145K040DE00	MN20U540K040DE00	MN20U647K040DE00
1/4" BSPT	MN20U1452040DE00	MN20U5402040DE00	MN20U6472040DE00
1/4" BSPP	MN20U1453040DE00	MN20U5403040DE00	MN20U6473040DE00
Smooth spout dia 4 mm	MN20U145E040DE00	MN20U540E040DE00	MN20U647E040DE00
Spout dia 6 mm	MN20U145F040DE00	MN20U540F040DE00	MN20U647F040DE00
Fluted spout dia 6 mm	MN20U145G040DE00	MN20U540G040DE00	MN20U647G040DE00
Barbed spout dia 10 mm	MN20U145J040DE00	MN20U540J040DE00	MN20U647J040DE00

Other set point values: replace 040 in the product reference by the calibration value