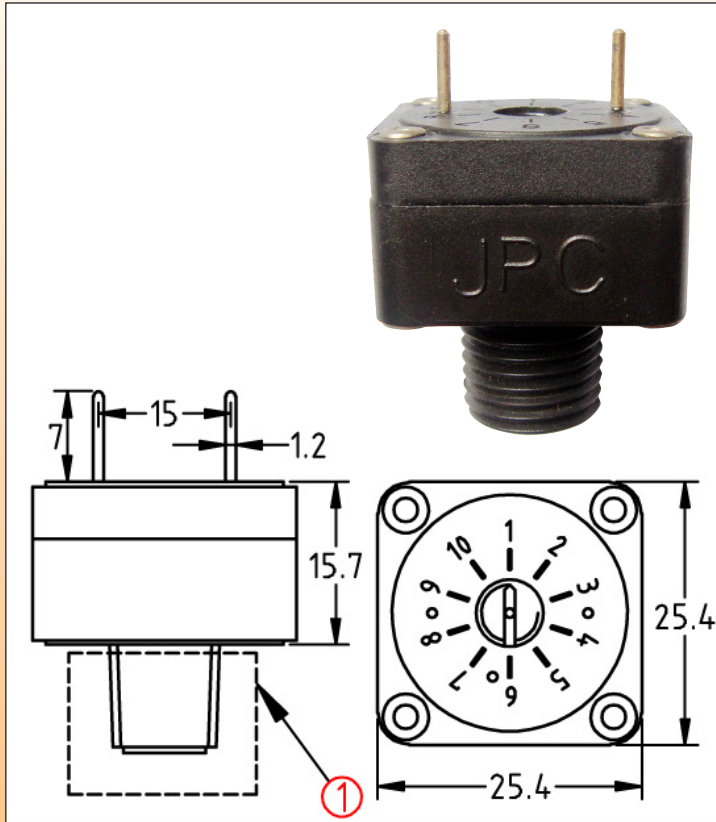


Slow action contact miniature vacuum switches for printed circuit boards with 5 mm pitch, plastic fitting

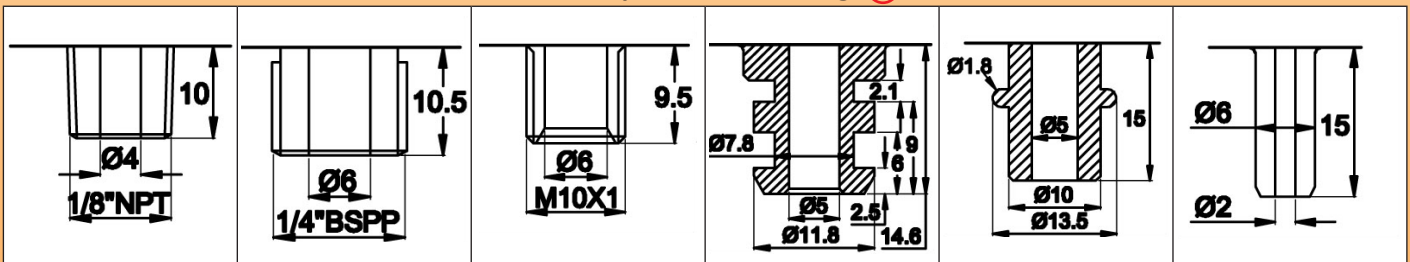
SPNO contact : Type ZF

DIMENSIONS



Uses: Low voltage, high sensitivity
Main applications: Electronic printed circuit. This vacuum switch is more sensible than snap action models and can be calibrated at lower pressure values. Very small differential.
Membranes: EPDM, dia 22 mm. Silicone or NBR on request
Fluid: air or water
Fitting: Plastic
Pressure: negative (Vacuum)
Housing: PA66, UL94 VO
Contact: single pole normally open at atmospheric pressure, slow make. Electrical rating:
 - Silver contact: max 1A 250V
 - Gold plated contact: max 100 mA, 24V
Action: momentary, close on vacuum increase (=decrease of absolute pressure).
Set point calibration: factory calibrated and sealed, not field adjustable
Set point calibration limits (relative pressure): standard calibration minus 50mbar, other values are achievable from minus 20 to minus 200 mbar
Electrical connection: printed circuit terminal, dia 1.2 mm, 15 mm spacing
Maximum pressure: 2 bars (29 PSI)
Maximum vacuum: minus 500 mbar (relative pressure)
Ambient temperature limits: 0 to 85°C

Available pressure inlet fittings ①



References (with calibration at minus 50 mbar):

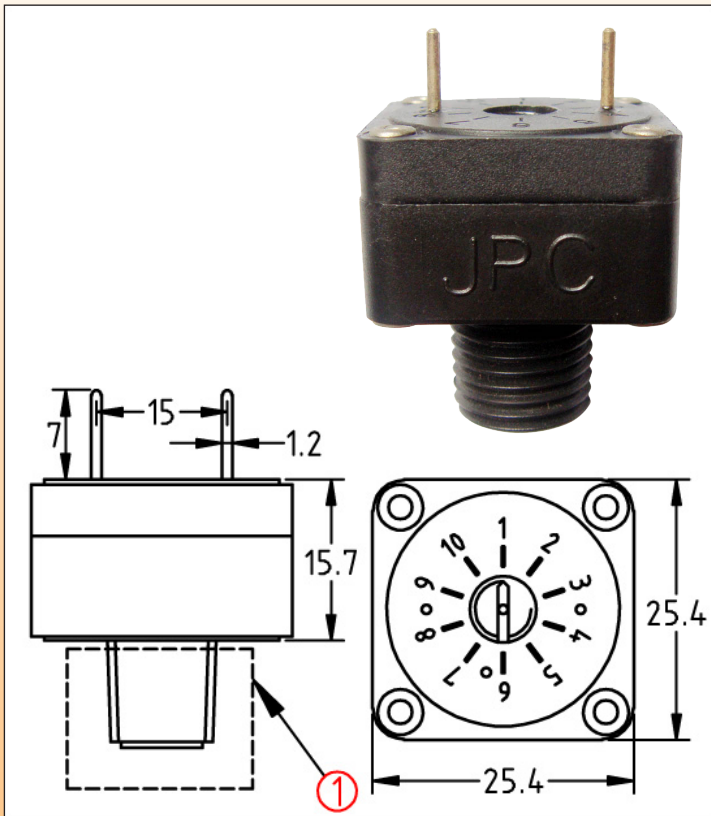
| Pressure inlet | Silver contact | Gold plated contact |
|------------------------------------|------------------|---------------------|
| 1/8" NPT | ZF2X28L105000000 | ZF2X28LG050000000 |
| 1/4" BSPP | ZF2X2QL105000000 | ZF2X2QLG050000000 |
| M10 x 1 | ZF2X2ML105000000 | ZF2X2MLG050000000 |
| Snap in fitting, 2 grooves dia 7.8 | ZF2X2TL105000000 | ZF2X2TLG050000000 |
| Snap in fitting, 1 groove dia 10 | ZF2X2ZL105000000 | ZF2X2ZLG050000000 |
| Snap in fitting, 1 spout dia 6 mm | ZF2X2AL105000000 | ZF2X2ALG050000000 |

Other set point values: replace 050 in the product reference by the requested value in mbar

Slow action contact miniature vacuum switches for printed circuit boards with 5 mm pitch, plastic fitting

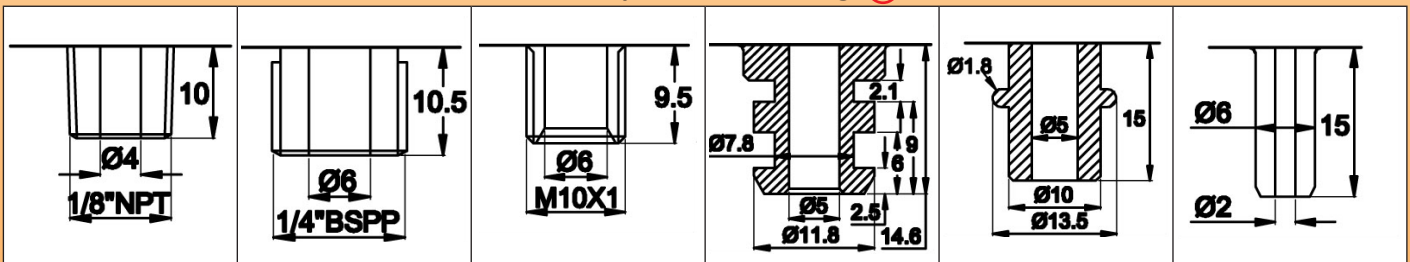
SPNC contact : Type ZF

DIMENSIONS



Uses: Low voltage, high sensitivity
Main applications: Electronic printed circuit. This vacuum switch is more sensible than snap action models and can be calibrated at lower pressure values. Very small differential.
Membranes: EPDM, dia 22 mm. Silicone or NBR on request
Fluid: air or water
Fitting: Plastic
Pressure: negative (Vacuum)
Housing: PA66, UL94 VO
Contact: single pole normally closed at atmospheric pressure, slow break. Electrical rating:
 - Silver contact: max 1A 250V
 - Gold plated contact: max 100 mA, 24V
Action: momentary, open on vacuum increase (=decrease of absolute pressure).
Set point calibration: factory calibrated and sealed, not field adjustable
Set point calibration limits (relative pressure): standard calibration minus 50mbar, other values are achievable from minus 20 to minus 200 mbar
Electrical connection: printed circuit terminal, dia 1.2 mm, 15 mm spacing
Maximum pressure: 2 bars (29 PSI)
Maximum vacuum: minus 500 mbar (relative pressure)
Ambient temperature limits: 0 to 85°C

Available pressure inlet fittings ①



References (with calibration at minus 50 mbar):

| Pressure inlet | Silver contact | Gold plated contact |
|------------------------------------|------------------|---------------------|
| 1/8" NPT | ZF2X18L105000000 | ZF2X18LG050000000 |
| 1/4" BSPP | ZF2X1QL105000000 | ZF2X1QLG050000000 |
| M10 x 1 | ZF2X1ML105000000 | ZF2X1MLG050000000 |
| Snap in fitting, 2 grooves dia 7.8 | ZF2X1TL105000000 | ZF2X1TLG050000000 |
| Snap in fitting, 1 groove dia 10 | ZF2X1ZL105000000 | ZF2X1ZLG050000000 |
| Snap in fitting, 1 spout dia 6 mm | ZF2X1AL105000000 | ZF2X1ALG050000000 |

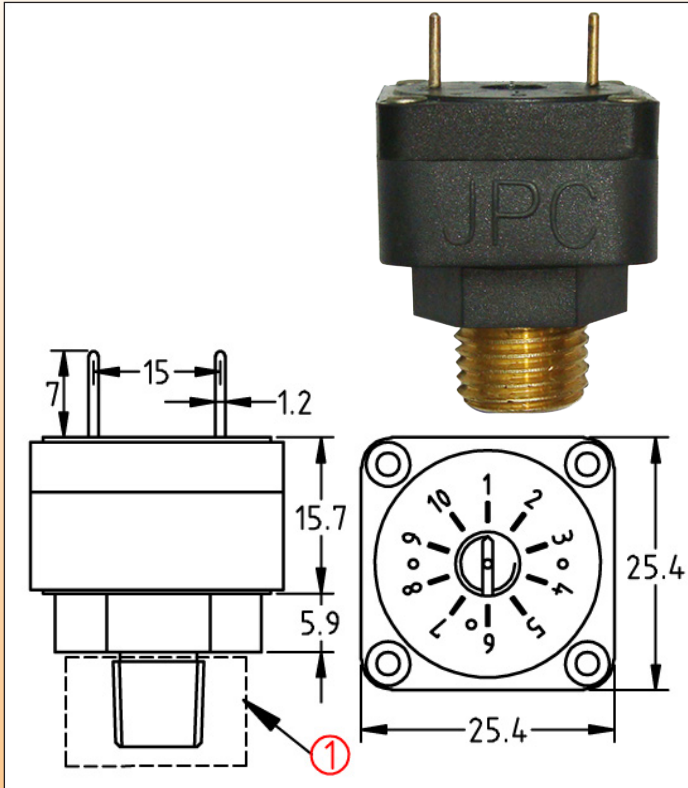
Other set point values: replace 050 in the product reference by the requested value in mbar



Slow action contact miniature vacuum switches for printed circuit boards with 5 mm pitch, metal fitting

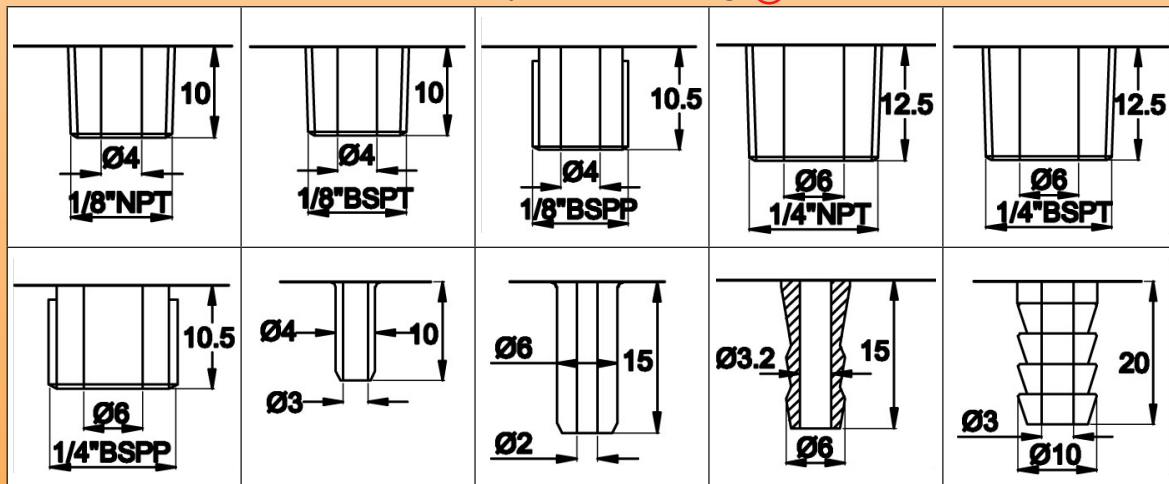
SPNO contact : ZF

DIMENSIONS



Uses: Low voltage, high sensitivity
Main applications: Electronic printed circuit. This vacuum switch is more sensible than snap action models and can be calibrated at lower pressure values. Very small differential.
Membranes: EPDM, dia 22 mm. Silicone or NBR on request
Fluid: air or water
Fitting: brass (stainless steel on request)
Pressure: negative (Vacuum)
Housing: PA66, UL94 VO
Contact: single pole normally open at atmospheric pressure, slow make.
Electrical rating:
 - Silver contact: max 1A 250V
 - Gold plated contact: max 100 mA, 24V
Action: momentary, close on vacuum increase (=decrease of absolute pressure).
Set point calibration: factory calibrated and sealed, not field adjustable
Set point calibration limits (relative pressure): standard calibration minus 50mbar, other values are achievable from minus 20 to minus 200 mbar
Electrical connection: printed circuit terminal, dia 1.2 mm, 15 mm spacing
Maximum pressure: 2 bars (29 PSI)
Maximum vacuum: minus 500 mbar (relative pressure)
Ambient temperature limits: 0 to 85°C

Available pressure inlet fittings ①



References (with calibration at minus 50 mbar and brass fitting):

| Pressure inlet | Silver contact | Gold plated contact |
|------------------------|------------------|---------------------|
| 1/8" NPT | ZF2X2RL105000000 | ZF2X2RLG050000000 |
| 1/8" BSPT | ZF2X2PL105000000 | ZF2X2PLG050000000 |
| 1/8" BSPP | ZF2X2LL105000000 | ZF2X2LLG050000000 |
| 1/4" NPT | ZF2X2CL105000000 | ZF2X2CLG050000000 |
| 1/4" BSPT | ZF2X2SL105000000 | ZF2X2SLG050000000 |
| 1/4" BSPP | ZF2X22L105000000 | ZF2X22LG050000000 |
| Smooth spout dia 4 mm | ZF2X23L105000000 | ZF2X23LG050000000 |
| Spout dia 6 mm | ZF2X27L105000000 | ZF2X27LG050000000 |
| Fluted spout dia 6 mm | ZF2X2JL105000000 | ZF2X2JLG050000000 |
| Barbed spout dia 10 mm | ZF2X29L105000000 | ZF2X29LG050000000 |

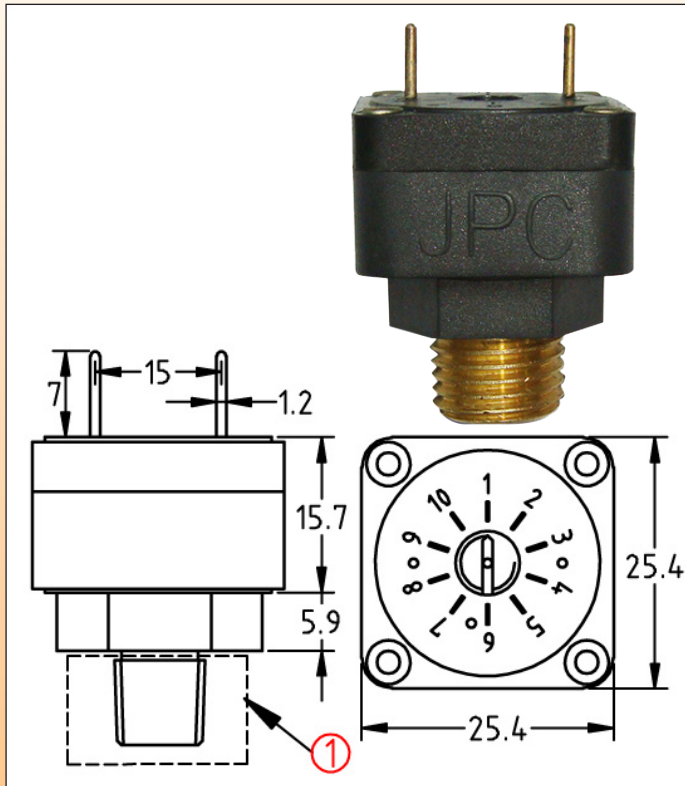
Other set point values: replace 050 in the product reference by the requested value in mbar



Slow action contact miniature vacuum switches for printed circuit boards with 5 mm pitch, metal fitting

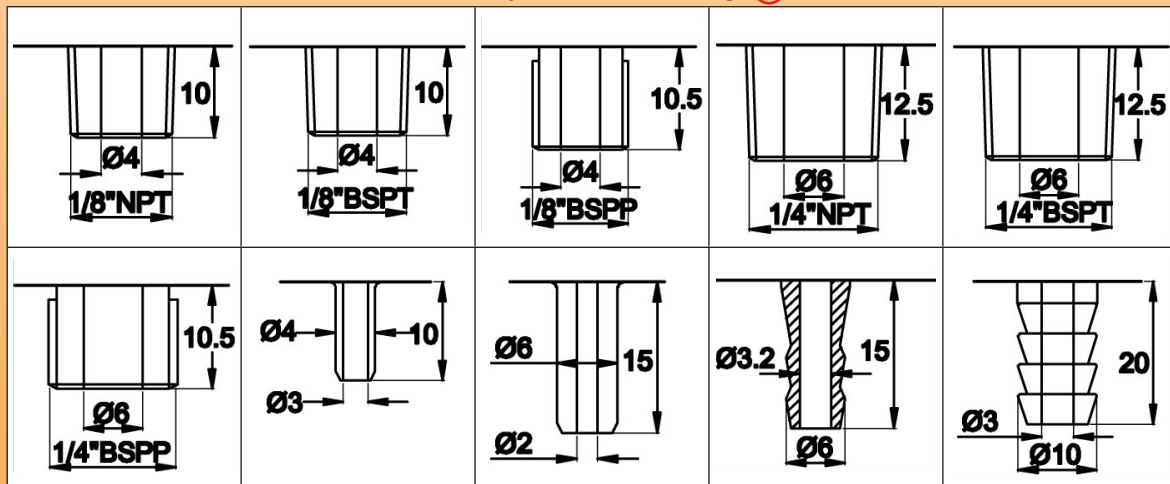
SPNC contact : Type ZF

DIMENSIONS



Uses: Low voltage, high sensitivity
Main applications: Electronic printed circuit. This vacuum switch is more sensible than snap action models and can be calibrated at lower pressure values. Very small differential.
Membranes: EPDM, dia 22 mm. Silicone or NBR on request
Fluid: air or water
Fitting: Brass (stainless steel on request)
Pressure: negative (Vacuum)
Housing: PA66, UL94 VO
Contact: single pole normally closed at atmospheric pressure, slow break.
Electrical rating:
 - Silver contact: max 1A 250V
 - Gold plated contact: max 100 mA, 24V
Action: momentary, open on vacuum increase (=decrease of absolute pressure).
Set point calibration: factory calibrated and sealed, not field adjustable
Set point calibration limits (relative pressure): standard calibration minus 50mbar, other values are achievable from minus 20 to minus 200 mbar
Electrical connection: printed circuit terminal, dia 1.2 mm, 15 mm spacing
Maximum pressure: 2 bars (30 PSI)
Maximum vacuum: minus 500 mbar (relative pressure)
Ambient temperature limits: 0 to 85°C

Available pressure inlet fittings ①



References (with calibration at minus 50 mbar and brass fitting):

| Pressure inlet | Silver contact | Gold plated contact |
|------------------------|------------------|---------------------|
| 1/8" NPT | ZF2X1RL105000000 | ZF2X1RLG050000000 |
| 1/8" BSPT | ZF2X1PL105000000 | ZF2X1PLG050000000 |
| 1/8" BSPP | ZF2X1LL105000000 | ZF2X1LLG050000000 |
| 1/4" NPT | ZF2X1CL105000000 | ZF2X1CLG050000000 |
| 1/4" BSPT | ZF2X1SL105000000 | ZF2X1SLG050000000 |
| 1/4" BSPP | ZF2X12L105000000 | ZF2X12LG050000000 |
| Smooth spout dia 4 mm | ZF2X13L105000000 | ZF2X13LG050000000 |
| Spout dia 6 mm | ZF2X17L105000000 | ZF2X17LG050000000 |
| Fluted spout dia 6 mm | ZF2X1JL105000000 | ZF2X1JLG050000000 |
| Barbed spout dia 10 mm | ZF2X19L105000000 | ZF2X19LG050000000 |

Other set point values: replace 050 in the product reference by the requested value in mbar

