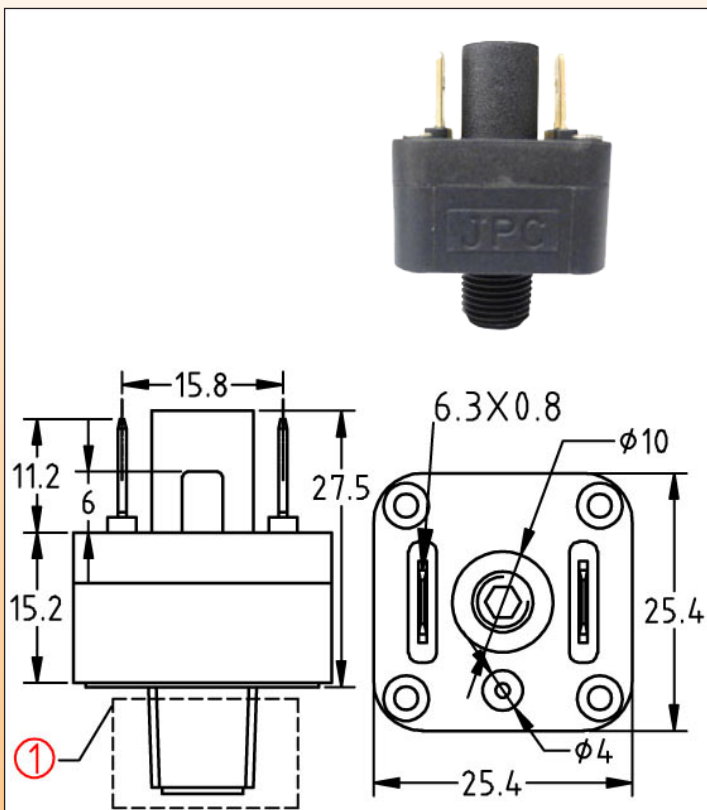


Slow action contact miniature vacuum switches, 6.35 x 0.8 mm terminals, plastic fitting SPNO contact : Type ZF

DIMENSIONS



Uses: Low voltage, high sensitivity

Main applications: Electronic printed circuit. This vacuum switch is more sensible than snap action models and can be calibrated at lower pressure values. Very small differential.

Membranes: EPDM, dia 22 mm. Silicone or NBR on request

Fluid: air or water

Fitting: Plastic

Pressure: negative (Vacuum)

Housing: PA66, UL94 VO

Contact: single pole normally open at atmospheric pressure, slow make.

Electrical rating:

- Silver contact: max 1A 250V

- Gold plated contact: max 100 mA, 24V

Action: momentary, close on vacuum increase (=decrease of absolute pressure).

Set point calibration: factory calibrated and sealed, not field adjustable

Set point calibration limits (relative pressure): standard calibration minus 50mbar, other values are achievable from minus 20 to minus 200 mbar

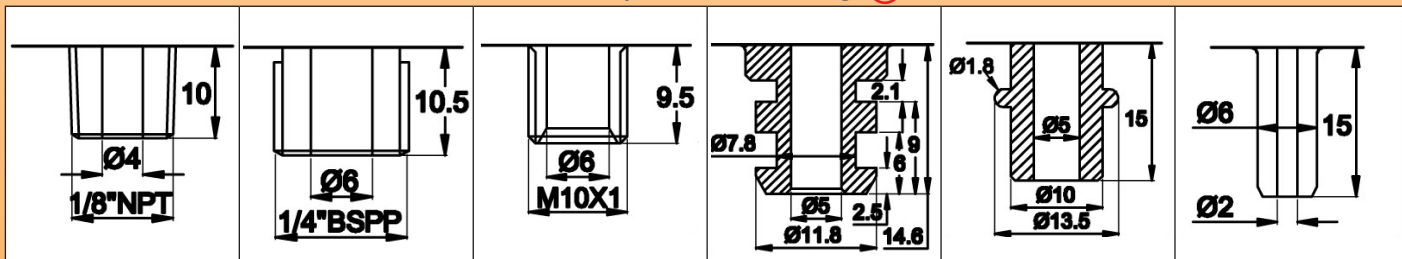
Electrical connection: two 6.35 x 0.8 mm quick connect terminals

Maximum pressure: 2 bars (29 PSI)

Maximum vacuum: minus 500 mbar (relative pressure)

Ambient temperature limits: 0 to 85°C

Available pressure inlet fittings ①



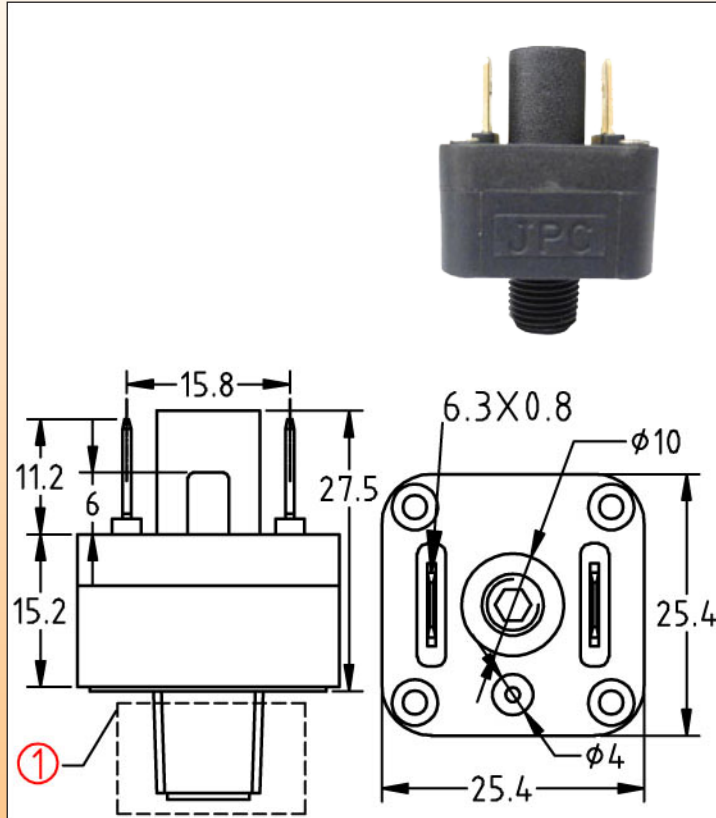
References (with calibration at minus 50 mbar):

Pressure inlet	Silver contact	Gold plated contact
1/8" NPT	ZF2X28EA05000000	ZF2X28EG05000000
1/4" BSPP	ZF2X2QEA05000000	ZF2X2QEG05000000
M10 x 1	ZF2X2MEA05000000	ZF2X2MEG05000000
Snap in fitting, 2 grooves dia 7.8	ZF2X2TEA05000000	ZF2X2TEG05000000
Snap in fitting, 1 groove dia 10	ZF2X2ZEA05000000	ZF2X2ZEG05000000
Snap in fitting, 1 spout dia 6 mm	ZF2X2AEA05000000	ZF2X2AEG05000000

Other set point values: replace 050 in the product reference by the requested value in mbar

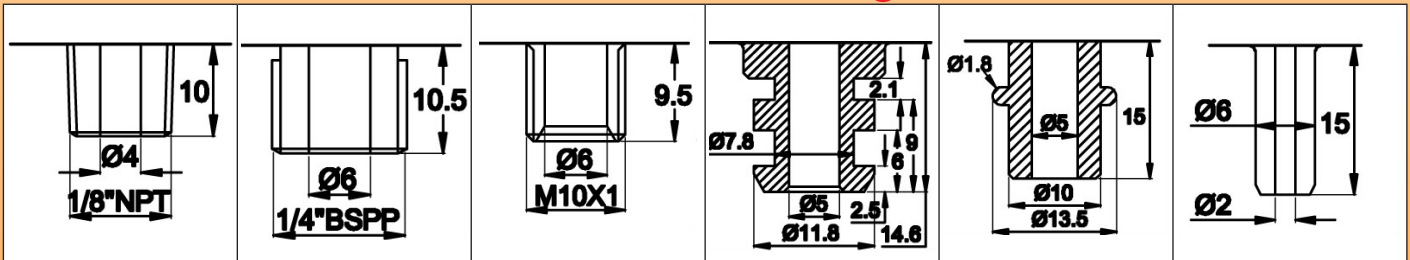
Slow action contact miniature vacuum switches, 6.35 x 0.8 mm terminals, plastic fitting SPNC contact : Type ZF

DIMENSIONS



Uses: Low voltage, high sensitivity
Main applications: Electronic printed circuit. This vacuum switch is more sensible than snap action models and can be calibrated at lower pressure values. Very small differential.
Membranes: EPDM, dia 22 mm. Silicone or NBR on request
Fluid: air or water
Fitting: Plastic
Pressure: negative (Vacuum)
Housing: PA66, UL94 VO
Contact: single pole normally closed at atmospheric pressure, slow break.
Electrical rating:
 - Silver contact: max 1A 250V
 - Gold plated contact: max 100 mA, 24V
Action: momentary, open on vacuum increase (=decrease of absolute pressure).
Set point calibration: factory calibrated and sealed, not field adjustable
Set point calibration limits (relative pressure): standard calibration minus 50mbar, other values are achievable from minus 20 to minus 200 mbar
Electrical connection: two 6.35 x 0.8 mm quick connect terminals
Maximum pressure: 2 bars (29 PSI)
Maximum vacuum: minus 500 mbar (relative pressure)
Ambient temperature limits: 0 to 85°C

Available pressure inlet fittings ①



References (with calibration at minus 50 mbar):

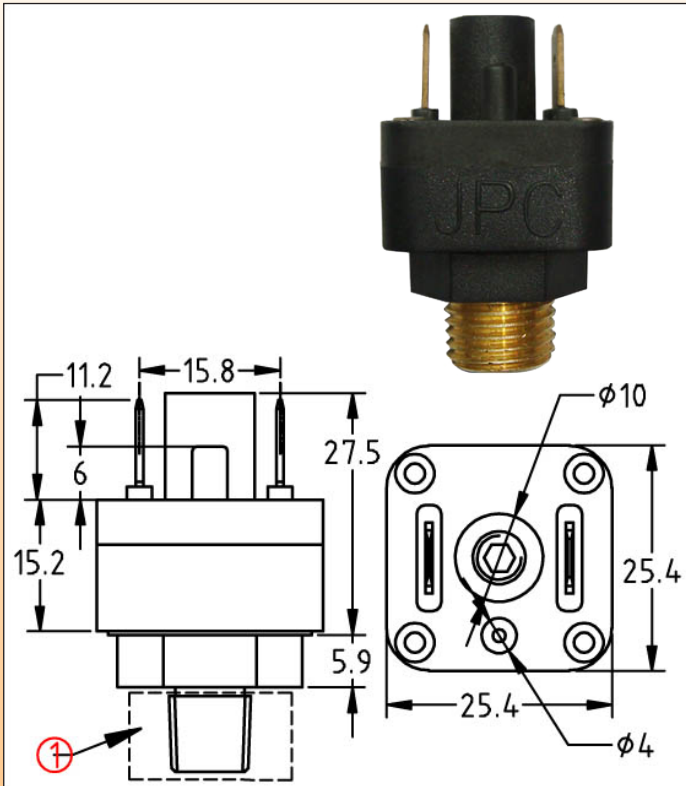
Pressure inlet	Silver contact	Gold plated contact
1/8" NPT	ZF2X18EA05000000	ZF2X18EG05000000
1/4" BSPP	ZF2X1QEA05000000	ZF2X1QEG05000000
M10 x 1	ZF2X1MEA05000000	ZF2X1MEG05000000
Snap in fitting, 2 grooves dia 7.8	ZF2X1TEA05000000	ZF2X1TEG05000000
Snap in fitting, 1 groove dia 10	ZF2X1ZEA05000000	ZF2X1ZEG05000000
Snap in fitting, 1 spout dia 6 mm	ZF2X1AEA05000000	ZF2X1AEG05000000

Other set point values: replace 050 in the product reference by the requested value in mbar



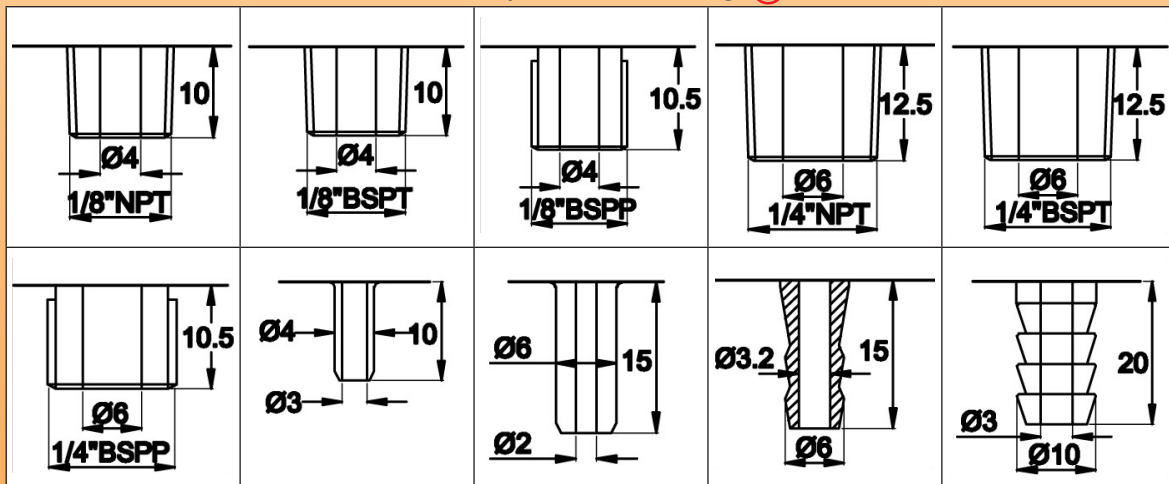
Slow action contact miniature vacuum switches, 6.35 x 0.8 mm terminals, metal fitting SPNO contact : Type ZF

DIMENSIONS



Uses: Low voltage, high sensitivity
Main applications: Electronic printed circuit. This vacuum switch is more sensible than snap action models and can be calibrated at lower pressure values. Very small differential.
Membranes: EPDM, dia 22 mm. Silicone or NBR on request
Fluid: air or water
Fitting: brass (stainless steel on request)
Pressure: negative (Vacuum)
Housing: PA66, UL94 VO
Contact: single pole normally open at atmospheric pressure, slow make.
Electrical rating:
 - Silver contact: max 1A 250V
 - Gold plated contact: max 100 mA, 24V
Action: momentary, close on vacuum increase (=decrease of absolute pressure).
Set point calibration: factory calibrated and sealed, not field adjustable
Set point calibration limits (relative pressure): standard calibration minus 50mbar, other values are achievable from minus 20 to minus 200 mbar
Electrical connection: two 6.35 x 0.8 mm quick connect terminals
Maximum pressure: 2 bars (29 PSI)
Maximum vacuum: minus 500 mbar (relative pressure)
Ambient temperature limits: 0 to 85°C

Available pressure inlet fittings ①



References (with calibration at minus 50 mbar and brass fitting):

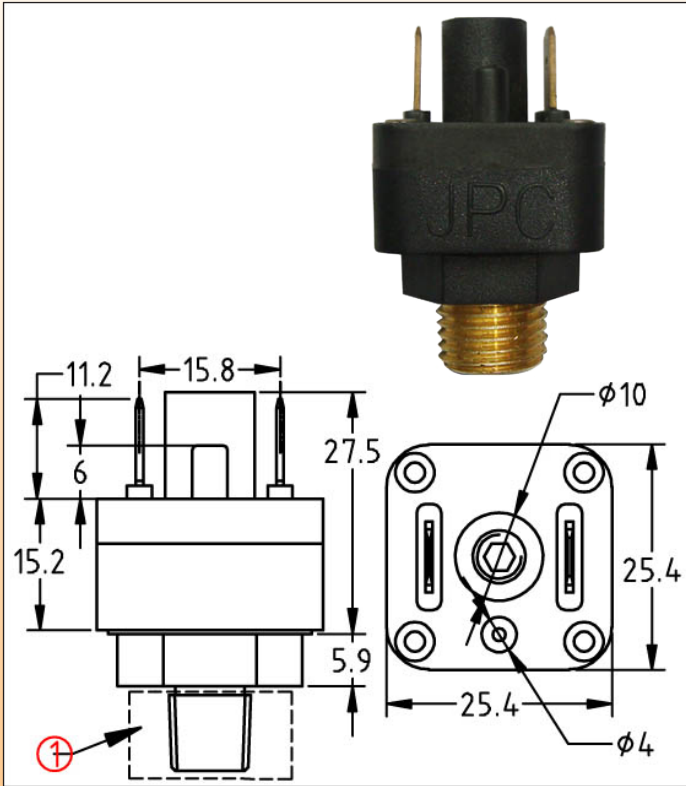
Pressure inlet	Silver contact	Gold plated contact
1/8" NPT	ZF2X2REA05000000	ZF2X2REG05000000
1/8" BSPT	ZF2X2PEA05000000	ZF2X2PEG05000000
1/8" BSPP	ZF2X2LEA05000000	ZF2X2LEG05000000
1/4" NPT	ZF2X2CEA05000000	ZF2X2CEG05000000
1/4" BSPT	ZF2X2SEA05000000	ZF2X2SEG05000000
1/4" BSPP	ZF2X22EA05000000	ZF2X22EG05000000
Smooth spout dia 4 mm	ZF2X23EA05000000	ZF2X23EG05000000
Spout dia 6 mm	ZF2X27EA05000000	ZF2X27EG05000000
Fluted spout dia 6 mm	ZF2X2JEA05000000	ZF2X2JEG05000000
Barbed spout dia 10 mm	ZF2X29EA05000000	ZF2X29EG05000000

Other set point values: replace 050 in the product reference by the requested value in mbar



Slow action contact miniature vacuum switch, 6.35 x 0.8 mm terminals, metal fitting SPNC contact : Type ZF

DIMENSIONS



Uses: Low voltage, high sensitivity

Main applications: Electronic printed circuit. This vacuum switch is more sensible than snap action models and can be calibrated at lower pressure values. Very small differential.

Membranes: EPDM, dia 22 mm. Silicone or NBR on request

Fluid: air or water

Fitting: Brass (stainless steel on request)

Pressure: negative (Vacuum)

Housing: PA66, UL94 VO

Contact: single pole normally closed at atmospheric pressure, slow break.

Electrical rating:

- Silver contact: max 1A 250V

- Gold plated contact: max 100 mA, 24V

Action: momentary, open on vacuum increase (=decrease of absolute pressure).

Set point calibration: factory calibrated and sealed, not field adjustable

Set point calibration limits (relative pressure): standard calibration minus 50mbar, other values are achievable from minus 20 to minus 200 mbar

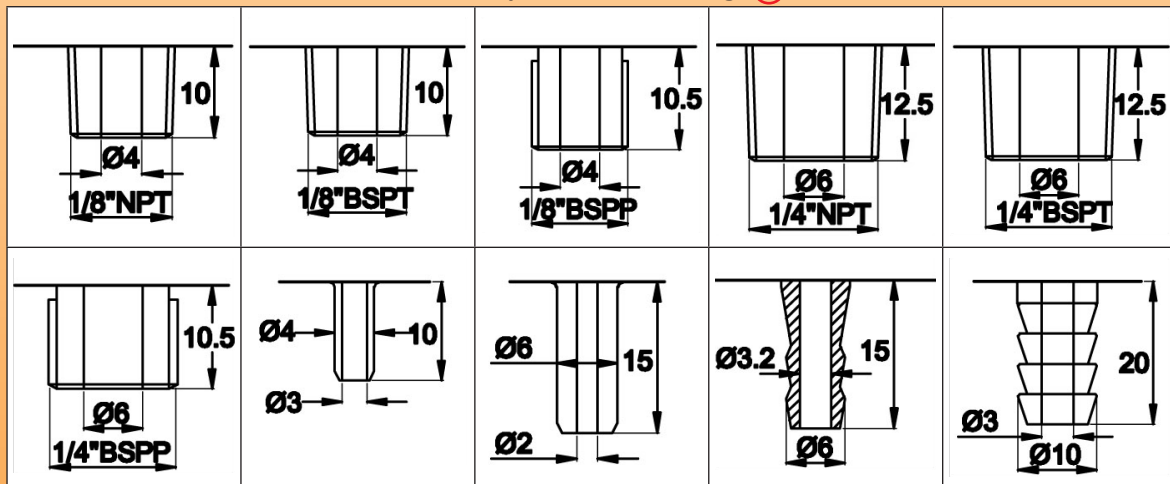
Electrical connection: two 6.35 x 0.8 mm quick connect terminals

Maximum pressure: 2 bars (29 PSI)

Maximum vacuum: minus 500 mbar (relative pressure)

Ambient temperature limits: 0 to 85°C

Available pressure inlet fittings ①



References (with calibration at minus 50 mbar and brass fitting):

Pressure inlet	Silver contact	Gold plated contact
1/8" NPT	ZF2X1REA05000000	ZF2X1REG05000000
1/8" BSPT	ZF2X1PEA05000000	ZF2X1PEG05000000
1/8" BSPP	ZF2X1LEA05000000	ZF2X1LEG05000000
1/4" NPT	ZF2X1CEA05000000	ZF2X1CEG05000000
1/4" BSPT	ZF2X1SEA05000000	ZF2X1SEG05000000
1/4" BSPP	ZF2X12EA05000000	ZF2X12EG05000000
Smooth spout dia 4 mm	ZF2X13EA05000000	ZF2X13EG05000000
Spout dia 6 mm	ZF2X17EA05000000	ZF2X17EG05000000
Fluted spout dia 6 mm	ZF2X1JEA05000000	ZF2X1JEG05000000
Barbed spout dia 10 mm	ZF2X19EA05000000	ZF2X19EG05000000

Other set point values: replace 050 in the product reference by the requested value in mbar

